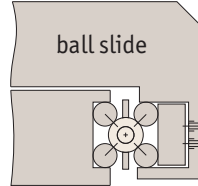


There are two different load ratings for these stages.

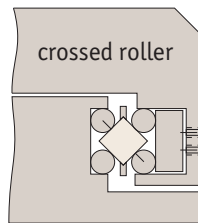
Ball slides:

These have precision steel balls rolling in the tracks. They are the least expensive, loads up to 28Kg.



Cross roller slides:

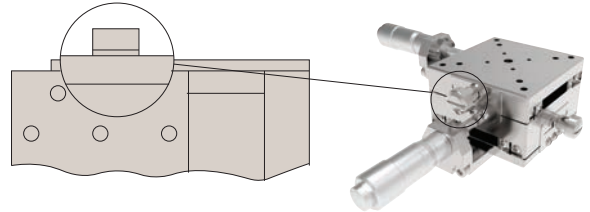
These have the same dimensions but have rollers allowing the slide to carry large loads and absorb greater moment loads up to 54Kg.



Locking options

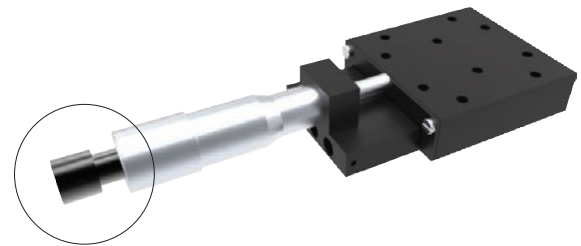
Posi-lock:

Allows locking of the carriage in place with a friction locking mechanism.



Locking micrometer:

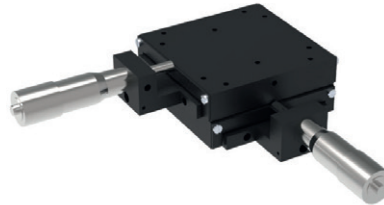
Locking of the micrometer to fix the micrometer setting.



Front drive micrometer positioning stages



X Stage

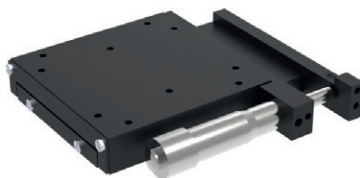


XY Stage

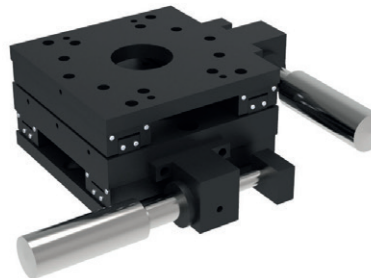


XYZ Stage

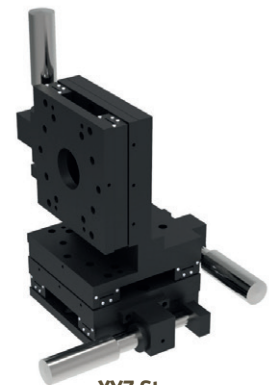
Side drive micrometer positioning stages



X Stage



XY Stage

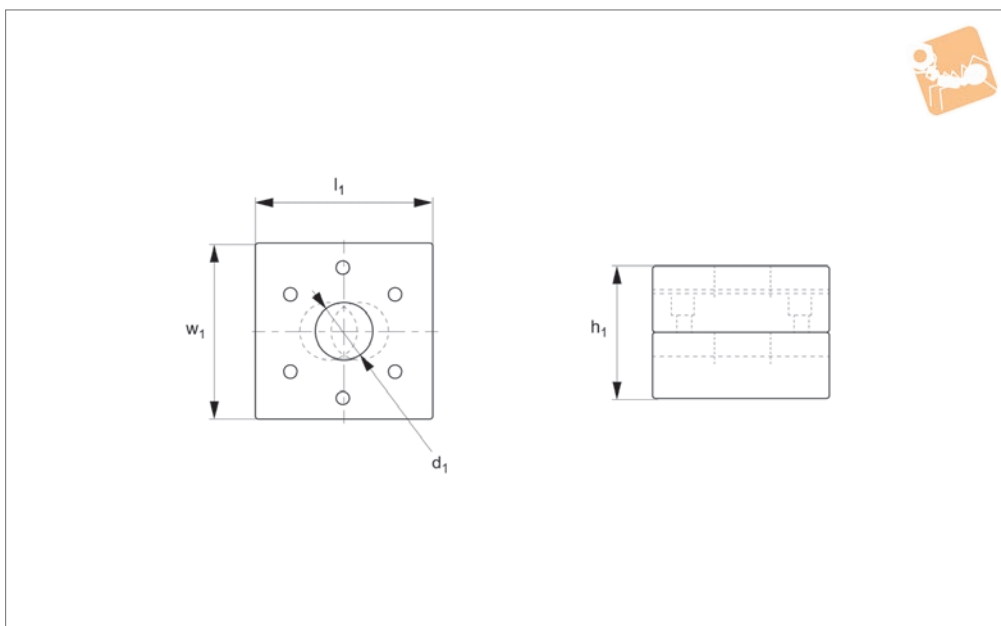


XYZ Stage

Also available in stainless steel.



L3104



Material

Aluminium carriage and base, black anodised steel fixing, hardened steel shafts and balls and roller elements

Technical Notes

Ball roller versions recommended for light loads. Cross roller versions for heavier

loads and moment loads.

Straight line accuracy 12µ/25mm travel.

Repeatability 3µ.

These plain units are supplied with no micrometers, no micrometer brackets and no springs.

For further fixing and mounting hole

dimensions please see part number L3100.FH.

Important Notes

Stroke is centred on the mid-point of the slides (ie 50% of total stroke each way).

3D CAD available.

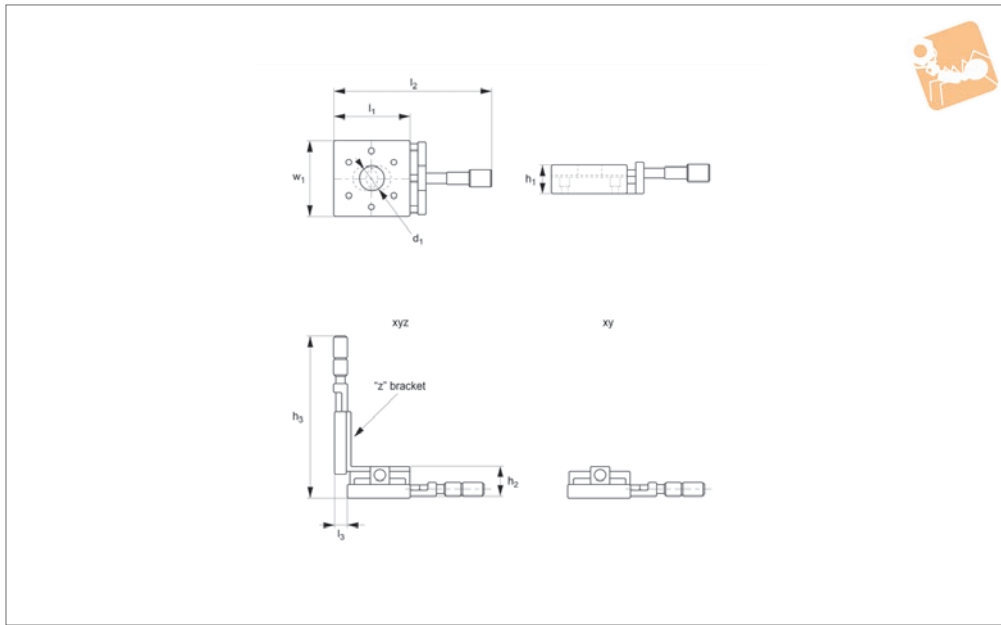
Order No.	Type	Travel	h_1	l_1	w_1	Through hole d_1	Load X & XY kg max.	X moment load Nm max.	Y moment load Nm max.	Z moment load Nm max.	Weight kg
L3104.0101-B	XY Ball	13	19.0	31.8	31.8	-	1.8	-	-	-	1.8
L3104.0201-B	XY Ball	13	19.0	44.5	44.5	-	1.8	-	-	-	1.8
L3104.0301-B	XY Ball	13	31.8	38.1	38.1	8	5.4	0.50	0.68	0.71	5.4
L3104.0451-B	XY Ball	25	38.1	44.5	44.5	-	9.1	0.96	1.13	1.19	9.1
L3104.0452-B	XY Ball	25	38.1	44.5	44.5	13	9.1	0.96	1.13	1.19	9.1
L3104.0751-B	XY Ball	25	50.8	66.5	66.5	-	27.2	4.94	5.75	6.04	27.2
L3104.0752-B	XY Ball	25	50.8	66.5	66.5	25	27.2	4.94	5.75	6.04	27.2
L3104.1202-B	XY Ball	50	46.2	79.2	79.2	-	13.6	2.89	1.95	2.05	13.6
L3104.1204-B	XY Ball	50	46.2	79.2	79.2	25	13.6	2.89	1.95	2.05	13.6
L3104.2205-B	XY Ball	75	46.2	104.6	104.6	-	13.6	4.80	3.04	3.21	13.6
L3104.2206-B	XY Ball	75	46.2	104.6	104.6	38	13.6	4.80	3.04	3.21	13.6
L3104.3205-B	XY Ball	100	46.2	130.2	130.2	-	13.6	4.80	3.04	3.21	13.6
L3104.3206-B	XY Ball	100	46.2	130.2	130.2	51	13.6	7.11	4.05	4.25	13.6
L3104.0101-R	XY Roller	13	19.0	31.8	31.8	-	10.4	-	-	-	10.4
L3104.0201-R	XY Roller	13	19.0	44.5	44.5	-	10.4	-	-	-	10.4
L3104.0301-R	XY Roller	13	31.8	38.1	38.1	8	18.1	1.67	2.26	2.37	18.1
L3104.0451-R	XY Roller	25	38.1	44.5	44.5	-	18.1	1.92	2.26	2.37	18.1
L3104.0452-R	XY Roller	25	38.1	44.5	44.5	13	18.1	1.92	2.26	2.37	18.1
L3104.0751-R	XY Roller	25	50.8	66.5	66.5	-	54.4	9.88	11.50	12.07	54.4
L3104.0752-R	XY Roller	25	50.8	66.5	66.5	25	54.4	9.88	11.50	12.07	54.4
L3104.1202-R	XY Roller	50	46.2	79.2	79.2	-	38.5	8.19	5.53	5.81	38.5
L3104.1204-R	XY Roller	50	46.2	79.2	79.2	25	38.5	8.19	5.53	5.81	38.5
L3104.2205-R	XY Roller	75	46.2	104.6	104.6	-	38.5	13.60	8.60	9.10	38.5
L3104.2206-R	XY Roller	75	46.2	104.6	104.6	38	38.5	13.60	8.60	9.10	38.5
L3104.3205-R	XY Roller	100	46.2	130.2	130.2	-	38.5	13.60	8.60	9.10	38.5
L3104.3206-R	XY Roller	100	46.2	130.2	130.2	51	38.5	20.15	11.47	12.05	38.5



Micrometer Positioning XY, XYZ

front drive, small sizes

Manual Positioning Stages



L3105

MANUAL POSITIONING STAGES

Material

Aluminium carriage and base, black anodised steel fixing, hardened steel shafts and balls and roller elements.

Technical Notes

Ball roller versions recommended for light loads. Cross roller versions for heavier loads and moment loads.

Straight line accuracy $12\mu/25\text{mm}$ travel.
 Repeatability 3μ .
 Spring loaded micrometer allows precise repeatable adjustments with low friction and zero backlash.
 Micrometer increments 0,01mm.

Tips

Other options:

- LM (locking micrometer).
- PL (posi-lock carriage lock).

Important Notes

Stroke is centred on the mid-point of the slides (ie 50% of total stroke each way).
3D CAD available.

Order No.	Type	Travel	h_1	h_2	h_3	l_1	l_2	l_3	w_1	Weight kg
L3105.0101-XYB	XY Ball	13	9.7	19.0	-	31.8	82.6	-	31.8	1.8
L3105.0201-XYB	XY Ball	13	9.7	19.0	-	44.5	95.3	-	44.5	1.8
L3105.0101-XYR	XY Roller	13	9.7	19.0	-	31.8	82.6	-	31.8	10.4
L3105.0201-XYR	XY Roller	13	9.7	19.0	-	44.5	95.3	-	44.5	10.4
L3105.0101-XYZB	XYZ Ball	13	9.7	19.0	98.3	31.8	82.6	9.7	31.8	1.8
L3105.0201-XYZB	XYZ Ball	13	9.7	19.0	111.0	44.5	95.3	11.3	44.5	1.8
L3105.0101-XYZR	XYZ Roller	13	9.7	19.0	98.3	31.8	82.6	9.7	31.8	10.4
L3105.0201-XYZR	XYZ Roller	13	9.7	19.0	111.0	44.5	95.3	11.3	44.5	10.4

Order No.	Load Z kg max.	Load X & XY kg max.	X moment load Nm max.	Y moment load Nm max.	Z moment load Nm max.
L3105.0101-XYB	0.7	1.8	0.19	0.18	0.18
L3105.0201-XYB	0.7	1.8	0.28	0.27	0.27
L3105.0101-XYR	0.7	10.4	1.09	1.04	1.04
L3105.0201-XYR	0.7	10.4	1.64	1.56	1.56
L3105.0101-XYZB	0.7	1.8	0.19	0.18	0.18
L3105.0201-XYZB	0.7	1.8	0.28	0.27	0.27
L3105.0101-XYZR	0.7	10.4	1.09	1.04	1.04
L3105.0201-XYZR	0.7	10.4	1.64	1.56	1.56

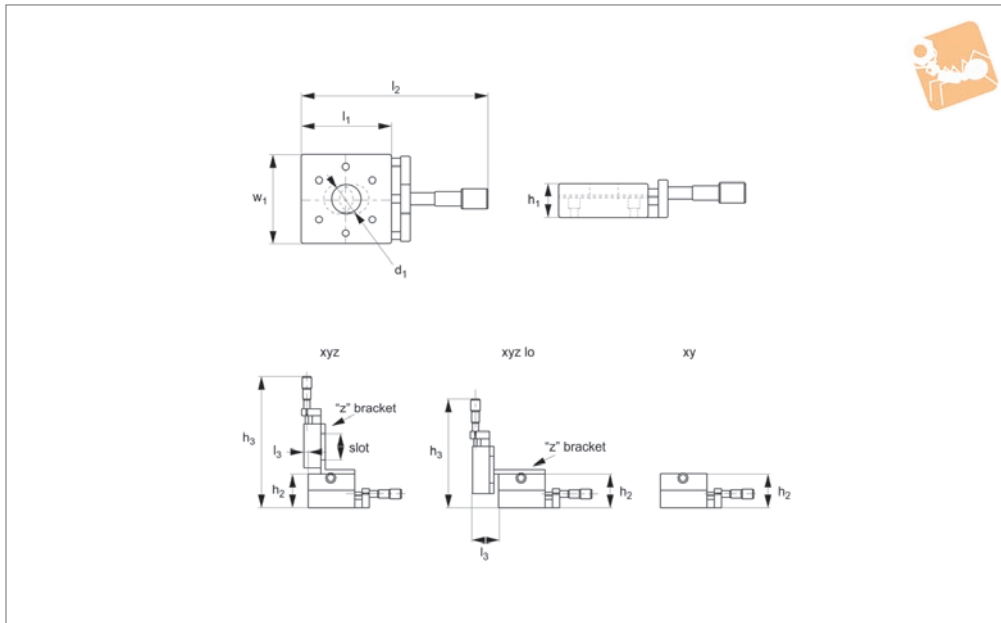
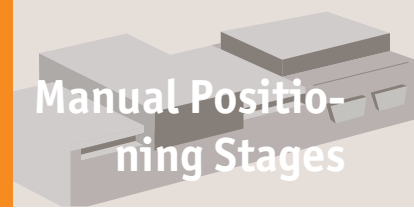




Micrometer Positioning XY, XYZ

front drive, medium sizes

Manual Positioning Stages



L3106

MANUAL POSITIONING STAGES

Material

Aluminium carriage and base, black anodised steel fixing, hardened steel shafts and balls and roller elements.

Technical Notes

Ball roller versions recommended for light loads. Cross roller versions for heavier loads and moment loads.

Straight line accuracy 12µ/25mm travel.

Repeatability 3µ.

Spring loaded micrometer allows precise repeatable adjustments with low friction and zero backlash.

Micrometer increments 0,01mm.

For further fixing and mounting hole dimensions please see part number L3100.FH.

Tips

Other options:

- LM (locking micrometer).
- PL (posi-lock carriage lock).

Important Notes

Stroke is centred on the mid-point of the slides (ie 50% of total stroke each way).

3D CAD available.

Order No.	Type	Travel	h ₁	h ₂	h ₃	l ₁	l ₂	l ₃	w ₁	Weight kg
L3106.0301-XYB	XY Ball	13	15.7	31.8	-	38.1	88.9	-	38.1	5.4
L3106.0450-XYB	XY Ball	13	19.1	38.1	-	44.5	111.3	-	44.5	9.1
L3106.0451-XYB	XY Ball	25	19.1	38.1	-	44.5	149.4	-	44.5	9.1
L3106.0453-XYB	XY Ball	13	19.1	38.1	-	44.5	111.3	-	44.5	9.1
L3106.0750-XYB	XY Ball	13	25.4	50.8	-	66.5	133.4	-	66.5	27.2
L3106.0751-XYB	XY Ball	25	25.4	50.8	-	66.5	171.5	-	66.5	27.2
L3106.0753-XYB	XY Ball	13	25.4	50.8	-	66.5	133.4	-	66.5	27.2
L3106.0301-XYR	XY Roller	13	15.7	31.8	-	38.1	88.9	-	38.1	18.1
L3106.0450-XYR	XY Roller	13	19.1	38.1	-	44.5	111.3	-	44.5	18.1
L3106.0451-XYR	XY Roller	25	19.1	38.1	-	44.5	149.4	-	44.5	18.1
L3106.0453-XYR	XY Roller	13	19.1	38.1	-	44.5	111.3	-	44.5	18.1
L3106.0750-XYR	XY Roller	13	25.4	50.8	-	66.5	133.4	-	66.5	54.4
L3106.0751-XYR	XY Roller	25	25.4	50.8	-	66.5	171.5	-	66.5	54.4
L3106.0753-XYR	XY Roller	13	25.4	50.8	-	66.5	133.4	-	66.5	54.4
L3106.0301-XYZB	XYZ Ball	13	15.7	31.8	130	38.1	88.9	8.1	38.1	5.4
L3106.0450-XYZB	XYZ Ball	13	19.1	38.1	162.1	44.5	111.3	0	44.5	9.1
L3106.0451-XYZB	XYZ Ball	25	19.1	38.1	200.2	44.5	149.4	0	44.5	9.1
L3106.0453-XYZB	XYZ Ball	13	19.1	38.1	162.1	44.5	111.3	0	44.5	9.1
L3106.0750-XYZB	XYZ Ball	13	25.4	50.8	199.9	66.5	133.4	1.5	66.5	27.2
L3106.0751-XYZB	XYZ Ball	25	25.4	50.8	238	66.5	171.5	1.5	66.5	27.2
L3106.0753-XYZB	XYZ Ball	13	25.4	50.8	199.9	66.5	133.4	1.5	66.5	27.2
L3106.0301-XYZR	XYZ Roller	13	15.7	31.8	130	38.1	88.9	8.1	38.1	18.1
L3106.0450-XYZR	XYZ Roller	13	19.1	38.1	162.1	44.5	111.3	0	44.5	18.1
L3106.0451-XYZR	XYZ Roller	25	19.1	38.1	200.2	44.5	149.4	0	44.5	18.1
L3106.0453-XYZR	XYZ Roller	13	19.1	38.1	162.1	44.5	111.3	0	44.5	18.1
L3106.0750-XYZR	XYZ Roller	13	25.4	50.8	199.9	66.5	133.4	1.5	66.5	54.4
L3106.0751-XYZR	XYZ Roller	25	25.4	50.8	238	66.5	171.5	1.5	66.5	54.4
L3106.0753-XYZR	XYZ Roller	13	25.4	50.8	199.9	66.5	133.4	1.5	66.5	54.4



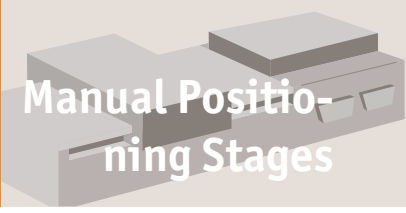
Order No.	Type	Travel	h ₁	h ₂	h ₃	l ₁	l ₂	l ₃	w ₁	Weight kg
L3106.0301-XYZLB	XYZ Ball Lo	13	15.7	31.8	100.1	38.1	88.9	25.4	38.1	5.4
L3106.0450-XYZLB	XYZ Ball Lo	13	19.1	38.1	128.8	44.5	111.3	28.4	44.5	9.1
L3106.0451-XYZLB	XYZ Ball Lo	25	19.1	38.1	166.9	44.5	149.4	28.4	44.5	9.1
L3106.0453-XYZLB	XYZ Ball Lo	13	19.1	38.1	128.8	44.5	111.3	28.4	44.5	9.1
L3106.0750-XYZLB	XYZ Ball Lo	13	25.4	50.8	150.9	66.5	133.4	38.1	66.5	27.2
L3106.0751-XYZLB	XYZ Ball Lo	25	25.4	50.8	189	66.5	171.5	38.1	66.5	27.2
L3106.0753-XYZLB	XYZ Ball Lo	13	25.4	50.8	150.9	66.5	133.4	38.1	66.5	27.2
L3106.0301-XYZLR	XYZ Roller Lo	13	15.7	31.8	106.4	38.1	88.9	25.4	38.1	18.1
L3106.0450-XYZLR	XYZ Roller Lo	13	19.1	38.1	128.8	44.5	111.3	28.4	44.5	18.1
L3106.0451-XYZLR	XYZ Roller Lo	25	19.1	38.1	166.9	44.5	149.4	28.4	44.5	18.1
L3106.0453-XYZLR	XYZ Roller Lo	13	19.1	38.1	128.8	44.5	111.3	28.4	44.5	18.1
L3106.0750-XYZLR	XYZ Roller Lo	13	25.4	50.8	150.9	66.5	133.4	38.1	66.5	54.4
L3106.0751-XYZLR	XYZ Roller Lo	25	25.4	50.8	189	66.5	171.5	38.1	66.5	54.4
L3106.0753-XYZLR	XYZ Roller Lo	13	25.4	50.8	150.9	66.5	133.4	38.1	66.5	54.4

Order No.	Through hole d ₁	Load Z kg max.	Load X & Y kg max.	X moment load Nm max.	Y moment load Nm max.	Z moment load Nm max.	Slot size
L3106.0301-XYB	8	0.9	5.4	0.50	0.50	0.50	-
L3106.0450-XYB	-	0.9	9.1	0.96	0.96	0.96	-
L3106.0451-XYB	-	0.9	9.1	0.96	0.96	0.96	-
L3106.0453-XYB	13	0.9	9.1	0.96	0.96	0.96	-
L3106.0750-XYB	-	0.9	27.2	4.94	4.94	4.94	-
L3106.0751-XYB	-	0.9	27.2	4.94	4.94	4.94	-
L3106.0753-XYB	25	0.9	27.2	4.94	4.94	4.94	-
L3106.0301-XYR	8	0.9	18.1	2.88	2.88	2.88	-
L3106.0450-XYR	-	0.9	18.1	1.92	1.92	1.92	-
L3106.0451-XYR	-	0.9	18.1	1.92	1.92	1.92	-
L3106.0453-XYR	13	0.9	18.1	1.92	1.92	1.92	-
L3106.0750-XYR	-	0.9	54.4	9.88	9.88	9.88	-
L3106.0751-XYR	-	0.9	54.4	9.88	9.88	9.88	-
L3106.0753-XYR	25	0.9	54.4	9.88	9.88	9.88	-
L3106.0301-XYZB	8	0.9	5.4	0.50	0.50	0.50	10x22
L3106.0450-XYZB	-	0.9	9.1	0.96	0.96	0.96	13x25
L3106.0451-XYZB	-	0.9	9.1	0.96	0.96	0.96	13x25
L3106.0453-XYZB	13	0.9	9.1	0.96	0.96	0.96	13x25
L3106.0750-XYZB	-	0.9	27.2	4.94	4.94	4.94	25x38
L3106.0751-XYZB	-	0.9	27.2	4.94	4.94	4.94	25x38
L3106.0753-XYZB	25	0.9	27.2	4.94	4.94	4.94	25x38
L3106.0301-XYZR	8	0.9	18.1	2.88	2.88	2.88	10x22
L3106.0450-XYZR	-	0.9	18.1	1.92	1.92	1.92	13x25
L3106.0451-XYZR	-	0.9	18.1	1.92	1.92	1.92	13x25
L3106.0453-XYZR	13	0.9	18.1	1.92	1.92	1.92	13x25
L3106.0750-XYZR	-	0.9	54.4	9.88	9.88	9.88	25x38
L3106.0751-XYZR	-	0.9	54.4	9.88	9.88	9.88	25x38
L3106.0753-XYZR	25	0.9	54.4	9.88	9.88	9.88	25x38
L3106.0301-XYZLB	8	0.9	5.4	0.50	0.50	0.50	10x22
L3106.0450-XYZLB	-	0.9	9.1	0.96	0.96	0.96	13x25
L3106.0451-XYZLB	-	0.9	9.1	0.96	0.96	0.96	13x25
L3106.0453-XYZLB	13	0.9	9.1	0.96	0.96	0.96	13x25
L3106.0750-XYZLB	-	0.9	27.2	4.94	4.94	4.94	25x38
L3106.0751-XYZLB	-	0.9	27.2	4.94	4.94	4.94	25x38
L3106.0753-XYZLB	25	0.9	27.2	4.94	4.94	4.94	25x38
L3106.0301-XYZLR	8	0.9	18.1	2.88	2.88	2.88	10x22
L3106.0450-XYZLR	-	0.9	18.1	1.92	1.92	1.92	13x25
L3106.0451-XYZLR	-	0.9	18.1	1.92	1.92	1.92	13x25
L3106.0453-XYZLR	13	0.9	18.1	1.92	1.92	1.92	13x25
L3106.0750-XYZLR	-	0.9	54.4	9.88	9.88	9.88	25x38
L3106.0751-XYZLR	-	0.9	54.4	9.88	9.88	9.88	25x38
L3106.0753-XYZLR	25	0.9	54.4	9.88	9.88	9.88	25x38



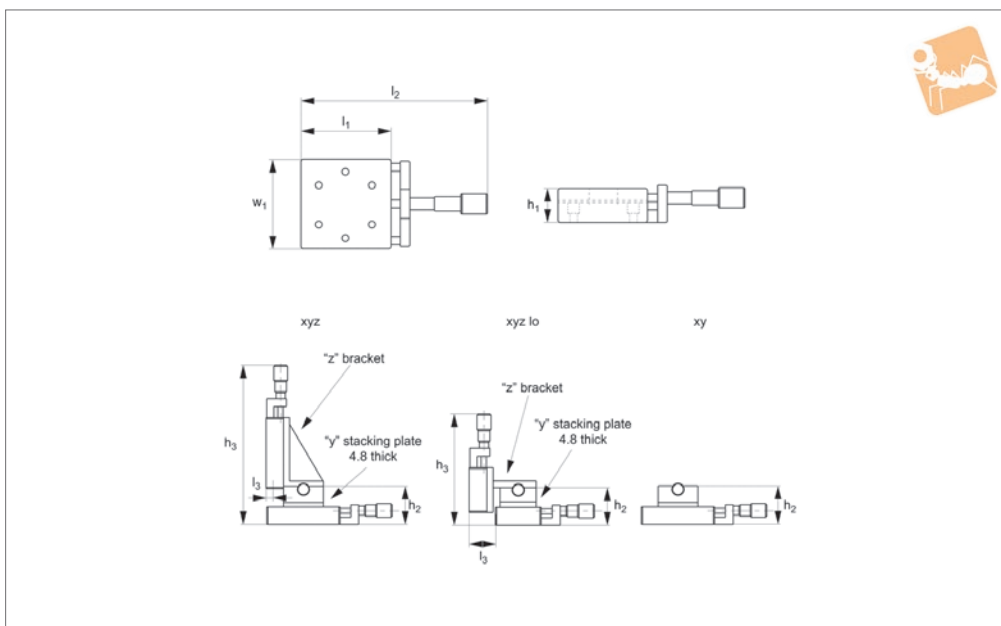
Micrometer Positioning XY, XYZ

front drive, medium sizes





L3107



Material

Aluminium carriage and base, black anodised steel fixing, hardened steel shafts and balls and roller elements.

Technical Notes

Ball roller versions recommended for light loads. Cross roller versions for heavier loads and moment loads.
Straight line accuracy 12µ/25mm travel.
Repeatability 3µ.

Spring loaded micrometer allows precise repeatable adjustments with low friction and zero backlash.

Micrometer increments 0,01mm.

For further fixing and mounting hole dimensions please see part number L3100.FH.

Tips

Other options:
- LM (locking micrometer).

- PL (posi-lock carriage lock).

Loads on the Z axis may extend springs if the loads are too heavy. These stages have the micrometer bracket reversed to prevent this and increase the Z load capacity.

Important Notes

Stroke is centred on the mid-point of the slides (ie 50% of total stroke each way).

3D CAD available.

Order No.	Type	Travel	h ₁	h ₂	h ₃	l ₁	l ₂	l ₃	w ₁	Weight kg
L3107.0401-XYB	XY Ball	13	19.1	42.9	-	50.8	117.3	-	44.5	9.1
L3107.0501-XYB	XY Ball	13	19.1	42.9	-	82.6	148.8	-	44.5	19.0
L3107.0502-XYB	XY Ball	25	19.1	42.9	-	82.6	188.2	-	44.5	19.0
L3107.0701-XYB	XY Ball	13	25.4	55.6	-	101.6	168.1	-	66.5	27.2
L3107.0702-XYB	XY Ball	25	25.4	55.6	-	101.6	209.6	-	66.5	27.2
L3107.0401-XYR	XY Roller	13	19.1	42.9	-	50.8	117.3	-	44.5	18.1
L3107.0501-XYR	XY Roller	13	19.1	42.9	-	82.6	148.8	-	44.5	36.3
L3107.0502-XYR	XY Roller	25	19.1	42.9	-	82.6	188.2	-	44.5	36.3
L3107.0701-XYR	XY Roller	13	25.4	55.6	-	101.6	168.1	-	66.5	72.5
L3107.0702-XYR	XY Roller	25	25.4	55.6	-	101.6	209.6	-	66.5	72.5
L3107.0401-XYZLB	XYZ Ball Lo	13	19.1	42.9	130	50.8	117.3	28.4	44.5	9.1
L3107.0501-XYZB	XYZ Ball	13	19.1	42.9	188.4	82.6	148.8	0	44.5	19.0
L3107.0502-XYZB	XYZ Ball	25	19.1	42.9	227.8	82.6	188.2	0	44.5	19.0
L3107.0701-XYZB	XYZ Ball	13	25.4	55.6	220.4	101.6	168.1	8.1	66.5	27.2
L3107.0702-XYZB	XYZ Ball	25	25.4	55.6	261.9	101.6	209.6	8.1	66.5	27.2
L3107.0401-XYZLR	XYZ Roller Lo	13	19.1	42.9	130	50.8	117.3	28.4	44.5	18.1
L3107.0501-XYZR	XYZ Roller	13	19.1	42.9	188.4	82.6	148.8	0	44.5	36.3
L3107.0502-XYZR	XYZ Roller	25	19.1	42.9	227.8	82.6	188.2	0	44.5	36.3
L3107.0701-XYZR	XYZ Roller	13	25.4	55.6	220.4	101.6	168.1	8.1	66.5	72.5
L3107.0702-XYZR	XYZ Roller	25	25.4	55.6	261.9	101.6	209.6	8.1	66.5	72.5

Order No.	Load Z kg max.	Load X & XY kg max.	X moment load Nm max.	Y moment load Nm max.	Z moment load Nm max.
L3107.0401-XYB	9.0	9.1	0.96	0.96	0.96
L3107.0501-XYB	9.0	19.0	2.02	2.02	2.02



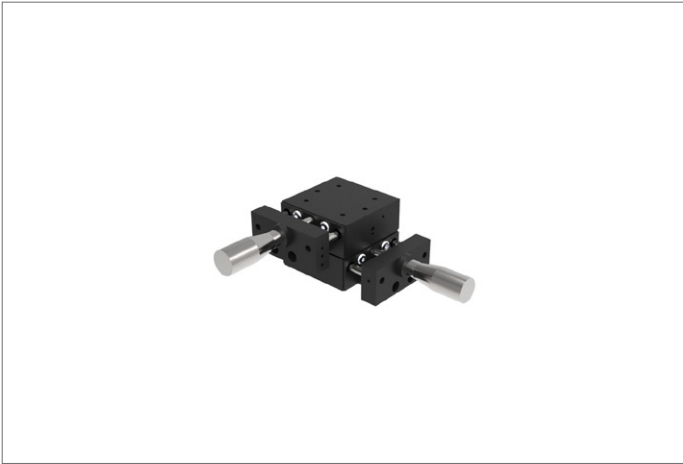
Micrometer Positioning XY, XYZ

front drive, medium sizes

Manual Positioning Stages

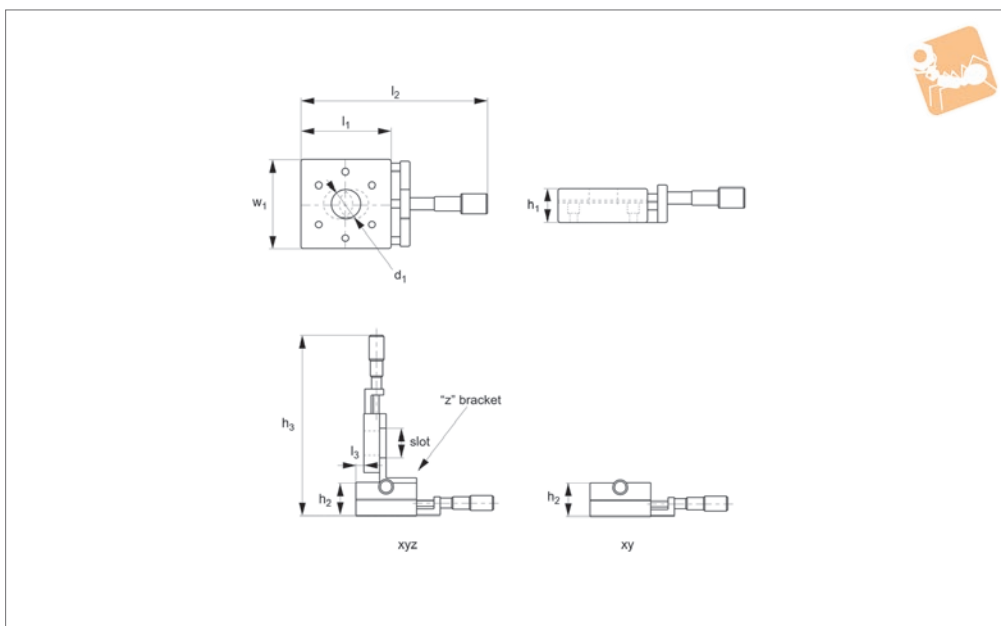
Order No.	Load Z kg max.	Load X & XY kg max.	X moment load Nm max.	Y moment load Nm max.	Z moment load Nm max.
L3107.0502-XYB	9.0	19.0	2.02	2.02	2.02
L3107.0701-XYB	9.0	27.2	4.94	4.94	4.94
L3107.0702-XYB	9.0	27.2	4.94	4.94	4.94
L3107.0401-XYR	9.0	18.1	1.92	1.92	1.92
L3107.0501-XYR	9.0	36.3	3.84	3.84	3.84
L3107.0502-XYR	9.0	36.3	3.84	3.84	3.84
L3107.0701-XYR	9.0	72.5	13.18	13.18	13.18
L3107.0702-XYR	9.0	72.5	13.18	13.18	13.18
L3107.0401-XYZLB	9.0	9.1	0.96	0.96	0.96
L3107.0501-XYZB	9.0	19.0	2.02	2.02	2.02
L3107.0502-XYZB	9.0	19.0	2.02	2.02	2.02
L3107.0701-XYZB	9.0	27.2	4.94	4.94	4.94
L3107.0702-XYZB	9.0	27.2	4.94	4.94	4.94
L3107.0401-XYZLR	9.0	18.1	1.92	1.92	1.92
L3107.0501-XYZR	9.0	36.3	3.84	3.84	3.84
L3107.0502-XYZR	9.0	36.3	3.84	3.84	3.84
L3107.0701-XYZR	9.0	72.5	13.18	13.18	13.18
L3107.0702-XYZR	9.0	72.5	13.18	13.18	13.18

MANUAL POSITIONING STAGES





L3108



Material

Aluminium carriage and base, black anodised steel fixing, hardened steel shafts and balls and roller elements.

Technical Notes

Ball roller versions recommended for light loads. Cross roller versions for heavier loads and moment loads.

Straight line accuracy $12\mu/25\text{mm}$ travel. Repeatability 3μ .

Spring loaded micrometer allows precise repeatable adjustments with low friction and zero backlash.

Micrometer increments 0,01mm.

For further fixing and mounting hole dimensions please see part number L3100.FH.

Tips

Other options:
- LM (locking micrometer).

- PL (posi-lock carriage lock).

Loads on the Z axis may extend springs if the loads are too heavy. These stages have the micrometer bracket reversed to prevent this and increase the Z load capacity.

Important Notes

Stroke is centred on the mid-point of the slides (ie 50% of total stroke each way).

3D CAD available.

Order No.	Type	Travel	h_1	h_2	h_3	l_1	l_2	l_3	w_2	Weight kg
L3108.1201-XYB	XY Ball	25	23.1	46.2	-	79.2	184.2	-	79.2	13.6
L3108.1203-XYB	XY Ball	25	23.1	46.2	-	79.2	184.2	-	79.2	13.6
L3108.2201-XYB	XY Ball	25	23.1	46.2	-	104.6	209.6	-	104.6	13.6
L3108.2202-XYB	XY Ball	50	23.1	46.2	-	104.6	260.4	-	104.6	13.6
L3108.2203-XYB	XY Ball	25	23.1	46.2	-	104.6	209.6	-	104.6	13.6
L3108.2204-XYB	XY Ball	50	23.1	46.2	-	104.6	260.4	-	104.6	13.6
L3108.3201-XYB	XY Ball	25	23.1	46.2	-	130.2	235.0	-	130.2	13.6
L3108.3202-XYB	XY Ball	50	23.1	46.2	-	130.2	285.8	-	130.2	13.6
L3108.3203-XYB	XY Ball	25	23.1	46.2	-	130.2	235.0	-	130.2	13.6
L3108.3204-XYB	XY Ball	50	23.1	46.2	-	130.2	285.8	-	130.2	13.6
L3108.1201-XYR	XY Roller	25	23.1	46.2	-	79.2	184.2	-	79.2	38.5
L3008.1203-XYR	XY Roller	25	23.1	46.2	-	79.2	184.2	-	79.2	38.5
L3108.2201-XYR	XY Roller	25	23.1	46.2	-	104.6	209.6	-	104.6	38.5
L3108.2202-XYR	XY Roller	50	23.1	46.2	-	104.6	260.4	-	104.6	38.5
L3108.2203-XYR	XY Roller	25	23.1	46.2	-	104.6	209.6	-	104.6	38.5
L3108.2204-XYR	XY Roller	50	23.1	46.2	-	104.6	260.4	-	104.6	38.5
L3108.3201-XYR	XY Roller	25	23.1	46.2	-	130.2	235.0	-	130.2	38.5
L3108.3202-XYR	XY Roller	50	23.1	46.2	-	130.2	285.8	-	130.2	38.5
L3108.3203-XYR	XY Roller	25	23.1	46.2	-	130.2	235.0	-	130.2	38.5
L3108.3204-XYR	XY Roller	50	23.1	46.2	-	130.2	285.8	-	130.2	38.5
L3108.1201-XYZB	XYZ Ball	25	23.1	46.2	249.7	79.2	184.2	8.4	79.2	13.6
L3108.1203-XYZB	XYZ Ball	25	23.1	46.2	249.7	79.2	184.2	8.4	79.2	13.6
L3108.2201-XYZB	XYZ Ball	25	23.1	46.2	287.8	104.6	209.6	13.2	104.6	13.6
L3108.2202-XYZB	XYZ Ball	50	23.1	46.2	338.6	104.6	260.4	13.2	104.6	13.6
L3108.2203-XYZB	XYZ Ball	25	23.1	46.2	287.8	104.6	209.6	13.2	104.6	13.6
L3108.2204-XYZB	XYZ Ball	50	23.1	46.2	338.6	104.6	260.4	13.2	104.6	13.6



Micrometer Positioning XY, XYZ

front drive, large sizes

Manual Positioning Stages

Order No.	Type	Travel	h_1	h_2	h_3	l_1	l_2	l_3	w_2	Weight kg
L3108.3201-XYZB	XYZ Ball	25	23.1	46.2	313.2	130.2	235.0	27.7	130.2	13.6
L3108.3202-XYZB	XYZ Ball	50	23.1	46.2	364.0	130.2	285.8	27.7	130.2	13.6
L3108.3203-XYZB	XYZ Ball	25	23.1	46.2	313.2	130.2	235.0	27.7	130.2	13.6
L3108.3204-XYZB	XYZ Ball	50	23.1	46.2	364.0	130.2	285.8	27.7	130.2	13.6
L3108.1201-XYZR	XYZ Roller	25	23.1	46.2	249.7	79.2	184.2	8.4	79.2	38.5
L3008.1203-XYZR	XYZ Roller	25	23.1	46.2	249.7	79.2	184.2	8.4	79.2	38.5
L3108.2201-XYZR	XYZ Roller	25	23.1	46.2	287.8	104.6	209.6	13.2	104.6	38.5
L3108.2202-XYZR	XYZ Roller	50	23.1	46.2	338.6	104.6	260.4	13.2	104.6	38.5
L3108.2203-XYZR	XYZ Roller	25	23.1	46.2	287.8	104.6	209.6	13.2	104.6	38.5
L3108.2204-XYZR	XYZ Roller	50	23.1	46.2	338.6	104.6	260.4	13.2	104.6	38.5
L3108.3201-XYZR	XYZ Roller	25	23.1	46.2	313.2	130.2	235.0	27.7	130.2	38.5
L3108.3202-XYZR	XYZ Roller	50	23.1	46.2	364.0	130.2	285.8	27.7	130.2	38.5
L3108.3203-XYZR	XYZ Roller	25	23.1	46.2	313.2	130.2	235.0	27.7	130.2	38.5
L3108.3204-XYZR	XYZ Roller	50	23.1	46.2	364.0	130.2	285.8	27.7	130.2	38.5

Order No.	Through hole dia. d_1	Load Z kg max.	Load X & Y kg max.	X moment load Nm max.	Y moment load Nm max.	Z moment load Nm max.
L3108.1201-XYB	-	13.6	13.6	2.05	1.95	1.95
L3108.1203-XYB	25	13.6	13.6	2.05	1.95	1.95
L3108.2201-XYB	-	13.6	13.6	3.21	3.04	3.04
L3108.2202-XYB	-	13.6	13.6	3.21	3.04	3.04
L3108.2203-XYB	38	13.6	13.6	3.21	3.04	3.04
L3108.2204-XYB	38	13.6	13.6	3.21	3.04	3.04
L3108.3201-XYB	-	13.6	13.6	4.25	4.05	4.05
L3108.3202-XYB	-	13.6	13.6	4.25	4.05	4.05
L3108.3203-XYB	51	13.6	13.6	4.25	4.05	4.05
L3108.3204-XYB	51	13.6	13.6	4.25	4.05	4.05
L3108.1201-XYR	-	13.6	38.5	5.81	5.53	5.53
L3008.1203-XYR	25	13.6	38.5	5.81	5.53	5.53
L3108.2201-XYR	-	13.6	38.5	9.10	8.60	8.60
L3108.2202-XYR	-	13.6	38.5	9.10	8.60	8.60
L3108.2203-XYR	38	13.6	38.5	9.10	8.60	8.60
L3108.2204-XYR	38	13.6	38.5	9.10	8.60	8.60
L3108.3201-XYR	-	13.6	38.5	12.05	11.47	11.47
L3108.3202-XYR	-	13.6	38.5	12.05	11.47	11.47
L3108.3203-XYR	51	13.6	38.5	12.05	11.47	11.47
L3108.3204-XYR	51	13.6	38.5	12.05	11.47	11.47
L3108.1201-XYZB	-	13.6	13.6	2.05	1.95	1.95
L3108.1203-XYZB	25	13.6	13.6	2.05	1.95	1.95
L3108.2201-XYZB	-	13.6	13.6	3.21	3.04	3.04
L3108.2202-XYZB	-	13.6	13.6	3.21	3.04	3.04
L3108.2203-XYZB	38	13.6	13.6	3.21	3.04	3.04
L3108.2204-XYZB	38	13.6	13.6	3.21	3.04	3.04
L3108.3201-XYZB	-	13.6	13.6	4.25	4.05	4.05
L3108.3202-XYZB	-	13.6	13.6	4.25	4.05	4.05
L3108.3203-XYZB	51	13.6	13.6	4.25	4.05	4.05
L3108.3204-XYZB	51	13.6	13.6	4.25	4.05	4.05
L3108.1201-XYZR	-	13.6	38.5	5.81	5.53	5.53
L3008.1203-XYZR	25	13.6	38.5	5.81	5.53	5.53
L3108.2201-XYZR	-	13.6	38.5	9.10	8.60	8.60
L3108.2202-XYZR	-	13.6	38.5	9.10	8.60	8.60
L3108.2203-XYZR	38	13.6	38.5	9.10	8.60	8.60
L3108.2204-XYZR	38	13.6	38.5	9.10	8.60	8.60
L3108.3201-XYZR	-	13.6	38.5	12.05	11.47	11.47
L3108.3202-XYZR	-	13.6	38.5	12.05	11.47	11.47
L3108.3203-XYZR	51	13.6	38.5	12.05	11.47	11.47
L3108.3204-XYZR	51	13.6	38.5	12.05	11.47	11.47

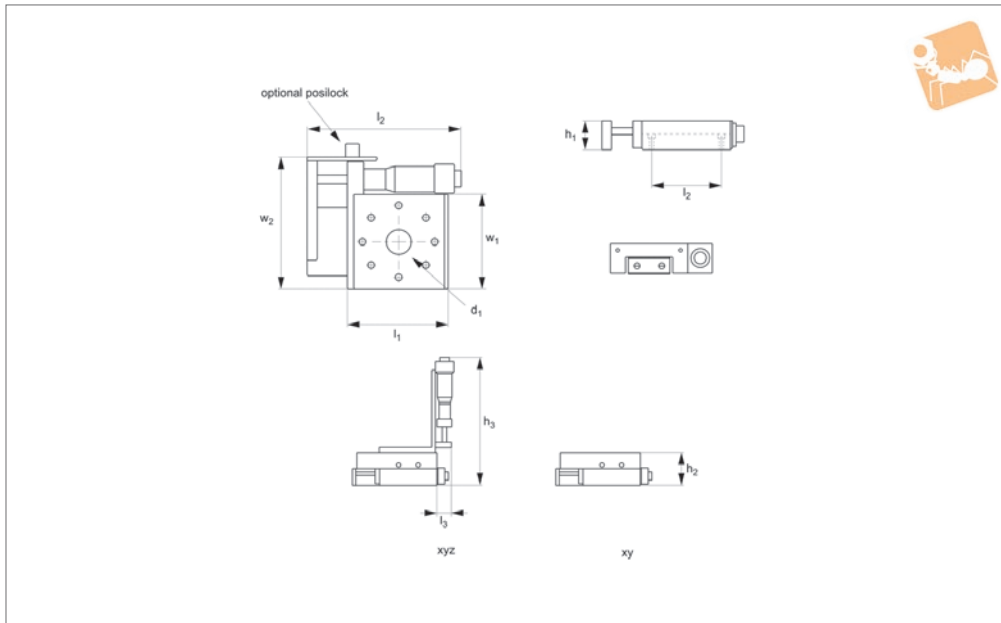




Micrometer Positioning XY, XYZ

side drive, small sizes

Manual Positioning Stages



L3110

MANUAL POSITIONING STAGES

Material

Aluminium carriage and base, black anodised steel fixing, hardened steel shafts and balls and roller elements

Technical Notes

Ball roller versions recommended for light loads. Cross roller versions for heavier loads and moment loads.

Straight line accuracy 12µ/25mm travel.

Repeatability 3µ.

Spring loaded micrometer allows precise repeatable adjustments with low friction and zero backlash.

Micrometer increments 0,01mm.

For further fixing and mounting hole dimensions please see part number L3100.FH.

Tips

Other options:

- LM (locking micrometer).
- PL (posi-lock carriage lock).

Important Notes

Stroke is centred on the mid-point of the slides (ie 50% of total stroke each way).

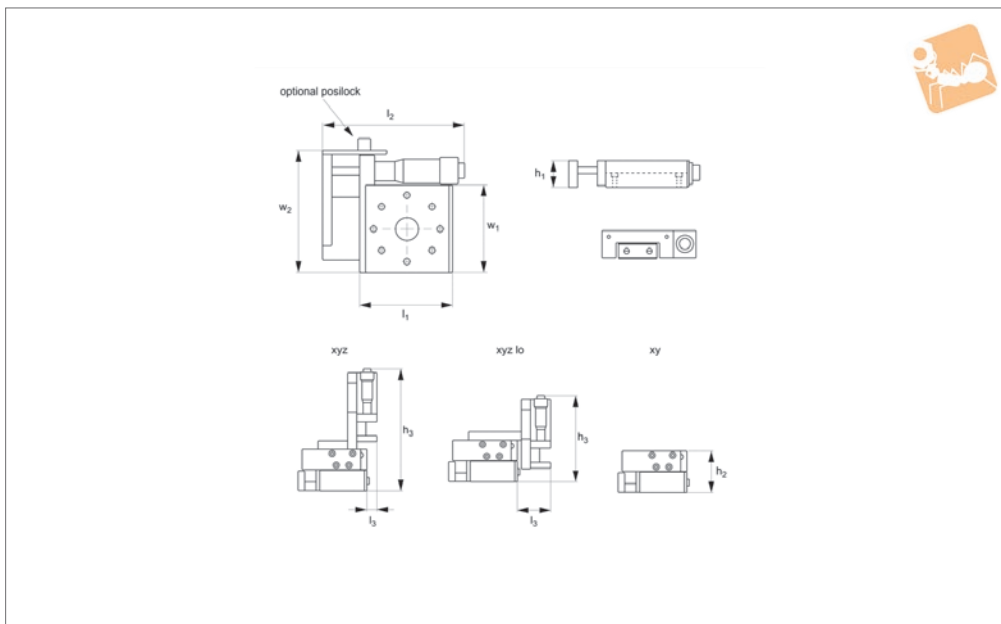
3D CAD available.

Order No.	Type	Travel	h ₁	h ₂	h ₃	l ₁	l ₂	l ₃	w ₁	Weight kg
L3110.0101-XYB	XY Ball	13	9.7	19.0	-	31.8	54.9	-	31.8	1.8
L3110.0201-XYB	XY Ball	13	9.7	19.0	-	44.5	61.5	-	44.5	1.8
L3110.0101-XYR	XY Roller	13	9.7	19.0	-	31.8	54.9	-	31.8	10.4
L3110.0201-XYR	XY Roller	13	9.7	19.0	-	44.5	61.5	-	44.5	10.4
L3110.0101-XYZB	XYZ Ball	13	9.7	19.0	77.1	31.8	54.9	9.7	31.8	1.8
L3110.0201-XYZB	XYZ Ball	13	9.7	19.0	83.7	44.5	61.5	11.2	44.5	1.8
L3110.0101-XYZR	XYZ Roller	13	9.7	19.0	77.1	31.8	54.9	9.7	31.8	10.4
L3110.0201-XYZR	XYZ Roller	13	9.7	19.0	83.7	44.5	61.5	11.2	44.5	10.4

Order No.	w ₂	Load Z kg max.	Load X & Y kg max.	X moment load Nm max.	Y moment load Nm max.	Z moment load Nm max.
L3110.0101-XYB	44.5	0.7	1.8	0.19	0.18	0.18
L3110.0201-XYB	57.4	0.7	1.8	0.28	0.27	0.27
L3110.0101-XYR	44.5	0.7	10.4	1.09	1.04	1.04
L3110.0201-XYR	57.4	0.7	10.4	1.64	1.56	1.56
L3110.0101-XYZB	44.5	0.7	1.8	0.19	0.18	0.18
L3110.0201-XYZB	57.4	0.7	1.8	0.28	0.27	0.27
L3110.0101-XYZR	44.5	0.7	10.4	1.09	1.04	1.04
L3110.0201-XYZR	57.4	0.7	10.4	1.64	1.56	1.56



L3111



Material

Aluminium carriage and base, black anodised steel fixing, hardened steel shafts and balls and roller elements

Technical Notes

Ball roller versions recommended for light loads. Cross roller versions for heavier loads and moment loads.
Straight line accuracy 12µ/25mm travel.

Repeatability 3µ.

Spring loaded micrometer allows precise repeatable adjustments with low friction and zero backlash.

Micrometer increments 0,01mm.

For further fixing and mounting hole dimensions please see part number L3100.FH.

Tips

Other options:

- LM (locking micrometer).
- PL (posi-lock carriage lock).

Important Notes

Stroke is centred on the mid-point of the slides (ie 50% of total stroke each way).

3D CAD available.

Order No.	Type	Travel	h ₁	h ₂	h ₃	l ₁	l ₂	l ₃	w ₁	Weight kg
L3111.0301-XYB	XY Ball	13	15.7	31.8	-	38.1	55.4	-	38.1	5.4
L3111.0450-XYB	XY Ball	13	19.1	38.1	-	44.5	74.9	-	44.5	9.1
L3111.0451-XYB	XY Ball	25	19.1	38.1	-	44.5	114.5	-	44.5	9.1
L3111.0453-XYB	XY Ball	13	19.1	38.1	-	44.5	74.9	-	44.5	9.1
L3111.0750-XYB	XY Ball	13	25.4	50.8	-	66.5	89.4	-	66.5	27.2
L3111.0751-XYB	XY Ball	25	25.4	50.8	-	66.5	113.8	-	66.5	27.2
L3111.0753-XYB	XY Ball	13	25.4	50.8	-	66.5	89.4	-	66.5	27.2
L3111.0301-XYR	XY Roller	13	15.7	31.8	-	38.1	55.4	-	38.1	18.1
L3111.0450-XYR	XY Roller	13	19.1	38.1	-	44.5	74.9	-	44.5	18.1
L3111.0451-XYR	XY Roller	25	19.1	38.1	-	44.5	114.5	-	44.5	18.1
L3111.0453-XYR	XY Roller	13	19.1	38.1	-	44.5	74.9	-	44.5	18.1
L3111.0750-XYR	XY Roller	13	25.4	50.8	-	66.5	89.4	-	66.5	54.4
L3111.0751-XYR	XY Roller	25	25.4	50.8	-	66.5	113.8	-	66.5	54.4
L3111.0753-XYR	XY Roller	13	25.4	50.8	-	66.5	89.4	-	66.5	54.4
L3111.0301-XYZB	XYZ Ball	13	15.7	31.8	93.5	38.1	55.4	8.0	38.1	5.4
L3111.0450-XYZB	XYZ Ball	13	19.1	38.1	93.5	44.5	74.9	0	44.5	9.1
L3111.0451-XYZB	XYZ Ball	25	19.1	38.1	93.5	44.5	114.5	0	44.5	9.1
L3111.0453-XYZB	XYZ Ball	13	19.1	38.1	93.5	44.5	74.9	0	44.5	9.1
L3111.0750-XYZB	XYZ Ball	13	25.4	50.8	113.3	66.5	89.4	7.6	66.5	27.2
L3111.0751-XYZB	XYZ Ball	25	25.4	50.8	137.7	66.5	113.8	7.6	66.5	27.2
L3111.0753-XYZB	XYZ Ball	13	25.4	50.8	113.3	66.5	89.4	7.6	66.5	27.2
L3111.0301-XYZR	XYZ Roller	13	15.7	31.8	66.6	38.1	55.4	8.0	38.1	18.1
L3111.0450-XYZR	XYZ Roller	13	19.1	38.1	92.4	44.5	74.9	0	44.5	18.1
L3111.0451-XYZR	XYZ Roller	25	19.1	38.1	132.0	44.5	114.5	0	44.5	18.1
L3111.0453-XYZR	XYZ Roller	13	19.1	38.1	92.4	44.5	74.9	0	44.5	18.1
L3111.0750-XYZR	XYZ Roller	13	25.4	50.8	113.3	66.5	89.4	7.6	66.5	54.4
L3111.0751-XYZR	XYZ Roller	25	25.4	50.8	137.7	66.5	113.8	7.6	66.5	54.4
L3111.0753-XYZR	XYZ Roller	13	25.4	50.8	113.3	66.5	89.4	7.6	66.5	54.4



Micrometer Positioning XY, XYZ

side drive, medium sizes

Manual Positioning Stages

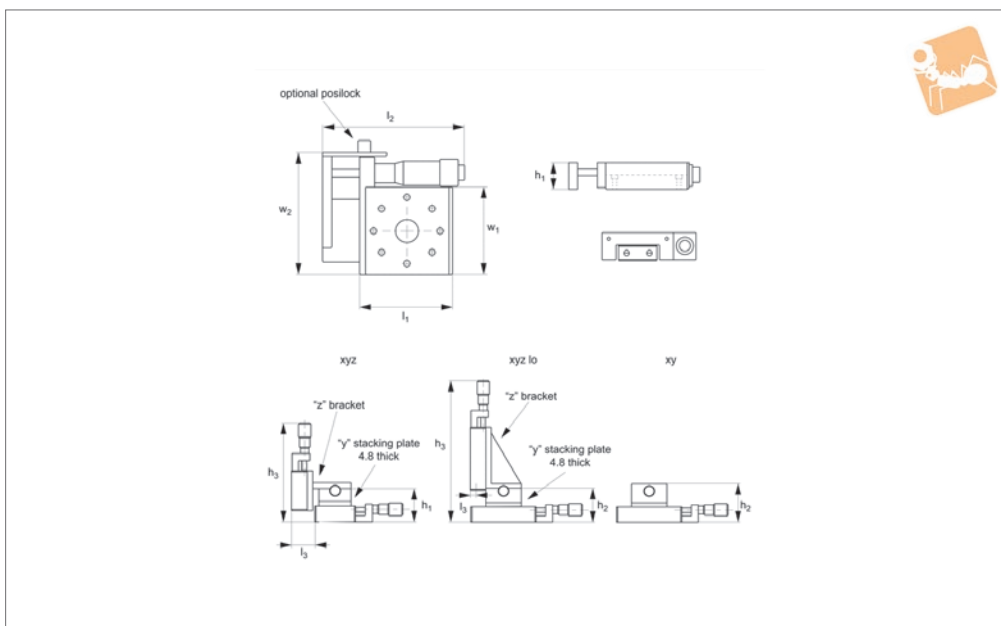
Order No.	Type	Travel	h ₁	h ₂	h ₃	l ₁	l ₂	l ₃	w ₁	Weight kg
L3111.0301-XYZLB	XYZ Ball Lo	13	15.7	31.8	66.6	38.1	55.4	25.4	38.1	5.4
L3111.0450-XYZLB	XYZ Ball Lo	13	19.1	38.1	92.4	44.5	74.9	28.5	44.5	9.1
L3111.0451-XYZLB	XYZ Ball Lo	25	19.1	38.1	132.0	44.5	114.5	28.5	44.5	9.1
L3111.0453-XYZLB	XYZ Ball Lo	13	19.1	38.1	92.4	44.5	74.9	28.5	44.5	9.1
L3111.0750-XYZLB	XYZ Ball Lo	13	25.4	50.8	113.3	66.5	89.4	38.1	66.5	27.2
L3111.0751-XYZLB	XYZ Ball Lo	25	25.4	50.8	137.7	66.5	113.8	38.1	66.5	27.2
L3111.0753-XYZLB	XYZ Ball Lo	13	25.4	50.8	113.3	66.5	89.4	38.1	66.5	27.2
L3111.0301-XYZLR	XYZ Roller Lo	13	15.7	31.8	66.6	38.1	55.4	25.4	38.1	18.1
L3111.0450-XYZLR	XYZ Roller Lo	13	19.1	38.1	92.4	44.5	74.9	28.5	44.5	18.1
L3111.0451-XYZLR	XYZ Roller Lo	25	19.1	38.1	132.0	44.5	114.5	28.5	44.5	18.1
L3111.0453-XYZLR	XYZ Roller Lo	13	19.1	38.1	92.4	44.5	74.9	28.5	44.5	18.1
L3111.0750-XYZLR	XYZ Roller Lo	13	25.4	50.8	113.3	66.5	89.4	38.1	66.5	54.4
L3111.0751-XYZLR	XYZ Roller Lo	25	25.4	50.8	137.7	66.5	113.8	38.1	66.5	54.4
L3111.0753-XYZLR	XYZ Roller Lo	13	25.4	50.8	113.3	66.5	89.4	38.1	66.5	54.4

Order No.	w ₂	Through hole dia. d ₁	Load Z kg max.	Load X & XY kg max.	X moment load Nm max.	Y moment load Nm max.	Z moment load Nm max.
L3111.0301-XYB	51.1	8	0.9	5.4	0.50	0.50	0.50
L3111.0450-XYB	61.0	-	0.9	9.1	0.96	0.96	0.96
L3111.0451-XYB	64.8	-	0.9	9.1	0.96	0.96	0.96
L3111.0453-XYB	61.0	13	0.9	9.1	0.96	0.96	0.96
L3111.0750-XYB	83.1	-	0.9	27.2	4.94	4.94	4.94
L3111.0751-XYB	87.1	-	0.9	27.2	4.94	4.94	4.94
L3111.0753-XYB	83.1	25	0.9	27.2	4.94	4.94	4.94
L3111.0301-XYR	51.1	8	0.9	18.1	2.88	2.88	2.88
L3111.0450-XYR	61.0	-	0.9	18.1	1.92	1.92	1.92
L3111.0451-XYR	64.8	-	0.9	18.1	1.92	1.92	1.92
L3111.0453-XYR	61.0	13	0.9	18.1	1.92	1.92	1.92
L3111.0750-XYR	83.1	-	0.9	54.4	9.88	9.88	9.88
L3111.0751-XYR	87.1	-	0.9	54.4	9.88	9.88	9.88
L3111.0753-XYR	83.1	25	0.9	54.4	9.88	9.88	9.88
L3111.0301-XYZB	51.1	8	0.9	5.4	0.50	0.50	0.50
L3111.0450-XYZB	61.0	-	0.9	9.1	0.96	0.96	0.96
L3111.0451-XYZB	64.8	-	0.9	9.1	0.96	0.96	0.96
L3111.0453-XYZB	61.0	13	0.9	9.1	0.96	0.96	0.96
L3111.0750-XYZB	83.1	-	0.9	27.2	4.94	4.94	4.94
L3111.0751-XYZB	87.1	-	0.9	27.2	4.94	4.94	4.94
L3111.0753-XYZB	83.1	25	0.9	27.2	4.94	4.94	4.94
L3111.0301-XYZR	51.1	8	0.9	18.1	2.88	2.88	2.88
L3111.0450-XYZR	61.0	-	0.9	18.1	1.92	1.92	1.92
L3111.0451-XYZR	64.8	-	0.9	18.1	1.92	1.92	1.92
L3111.0453-XYZR	61.0	13	0.9	18.1	1.92	1.92	1.92
L3111.0750-XYZR	83.1	-	0.9	54.4	9.88	9.88	9.88
L3111.0751-XYZR	87.1	-	0.9	54.4	9.88	9.88	9.88
L3111.0753-XYZR	83.1	25	0.9	54.4	9.88	9.88	9.88
L3111.0301-XYZLB	51.1	8	0.9	5.4	0.50	0.50	0.50
L3111.0450-XYZLB	61.0	-	0.9	9.1	0.96	0.96	0.96
L3111.0451-XYZLB	64.8	-	0.9	9.1	0.96	0.96	0.96
L3111.0453-XYZLB	61.0	13	0.9	9.1	0.96	0.96	0.96
L3111.0750-XYZLB	83.1	-	0.9	27.2	4.94	4.94	4.94
L3111.0751-XYZLB	87.1	-	0.9	27.2	4.94	4.94	4.94
L3111.0753-XYZLB	83.1	25	0.9	27.2	4.94	4.94	4.94
L3111.0301-XYZLR	51.1	8	0.9	18.1	2.88	2.88	2.88
L3111.0450-XYZLR	61.0	-	0.9	18.1	1.92	1.92	1.92
L3111.0451-XYZLR	64.8	-	0.9	18.1	1.92	1.92	1.92
L3111.0453-XYZLR	61.0	13	0.9	18.1	1.92	1.92	1.92
L3111.0750-XYZLR	83.1	-	0.9	54.4	9.88	9.88	9.88
L3111.0751-XYZLR	87.1	-	0.9	54.4	9.88	9.88	9.88
L3111.0753-XYZLR	83.1	25	0.9	54.4	9.88	9.88	9.88

MANUAL POSITIONING STAGES



L3112



Material

Aluminium carriage and base, black anodised steel fixing, hardened steel shafts and balls and roller elements

Technical Notes

Ball roller versions recommended for light loads. Cross roller versions for heavier loads and moment loads.
Straight line accuracy 12µ/25mm travel.
Repeatability 3µ.

Spring loaded micrometer allows precise repeatable adjustments with low friction and zero backlash.

Micrometer increments 0,01mm.

For further fixing and mounting hole dimensions please see part number L3100.FH.

Tips

Other options:
- LM (locking micrometer).

- PL (posi-lock carriage lock).

Loads on the Z axis may extend springs if the loads are too heavy. These stages have the micrometer bracket reversed to prevent this and increase the Z load capacity.

Important Notes

Stroke is centred on the mid-point of the slides (ie 50% of total stroke each way).

3D CAD available.

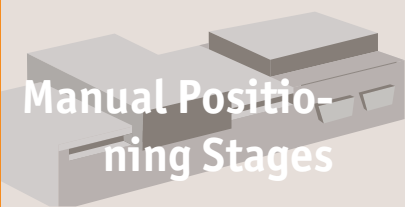
Order No.	Type	Travel	h ₁	h ₂	h ₃	l ₁	l ₂	l ₃	w ₁	Weight kg
L3112.0401-XYB	XY Ball	13	19.1	42.9	-	50.8	74.9	-	44.5	9.1
L3112.0501-XYB	XY Ball	13	19.1	42.9	-	82.6	105.4	-	44.5	19.0
L3112.0502-XYB	XY Ball	25	19.1	42.9	-	82.6	114.5	-	44.5	19.0
L3112.0701-XYB	XY Ball	13	25.4	55.6	-	101.6	124.5	-	66.5	27.2
L3112.0702-XYB	XY Ball	25	25.4	55.6	-	101.6	131.6	-	66.5	27.2
L3112.0401-XYR	XY Roller	13	19.1	42.9	-	50.8	74.9	-	44.5	18.1
L3112.0501-XYR	XY Roller	13	19.1	42.9	-	82.6	105.4	-	44.5	36.3
L3112.0502-XYR	XY Roller	25	19.1	42.9	-	82.6	114.5	-	44.5	36.3
L3112.0701-XYR	XY Roller	13	25.4	55.6	-	101.6	124.5	-	66.5	72.5
L3112.0702-XYR	XY Roller	25	25.4	55.6	-	101.6	131.6	-	66.5	72.5
L3112.0401-XYZB	XYZ Ball	13	19.1	42.9	124.2	50.8	74.9	14.6	44.5	9.1
L3112.0501-XYZB	XYZ Ball	13	19.1	42.9	154.7	82.6	105.4	0	44.5	19.0
L3112.0502-XYZB	XYZ Ball	25	19.1	42.9	163.8	82.6	114.5	0	44.5	19.0
L3112.0701-XYZB	XYZ Ball	13	25.4	55.6	189.5	101.6	124.5	9.3	66.5	27.2
L3112.0702-XYZB	XYZ Ball	25	25.4	55.6	196.6	101.6	131.6	9.3	66.5	27.2
L3112.0401-XYZR	XYZ Roller	13	19.1	42.9	124.2	50.8	74.9	14.6	44.5	18.1
L3112.0501-XYZR	XYZ Roller	13	19.1	42.9	154.7	82.6	105.4	0	44.5	36.3
L3112.0502-XYZR	XYZ Roller	25	19.1	42.9	163.8	82.6	114.5	0	44.5	36.3
L3112.0701-XYZR	XYZ Roller	13	25.4	55.6	189.5	101.6	124.5	9.3	66.5	72.5
L3112.0702-XYZR	XYZ Roller	25	25.4	55.6	196.6	101.6	131.6	9.3	66.5	72.5

Order No.	w ₂	Load Z kg max.	Load X & Y kg max.	X moment load Nm max.	Y moment load Nm max.	Z moment load Nm max.
L3112.0401-XYB	61.0	9.0	9.1	0.96	0.96	0.96
L3112.0501-XYB	61.0	9.0	19.0	2.02	2.02	2.02



Micrometer Positioning XY, XYZ

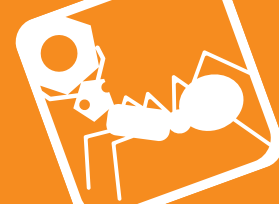
side drive, medium sizes



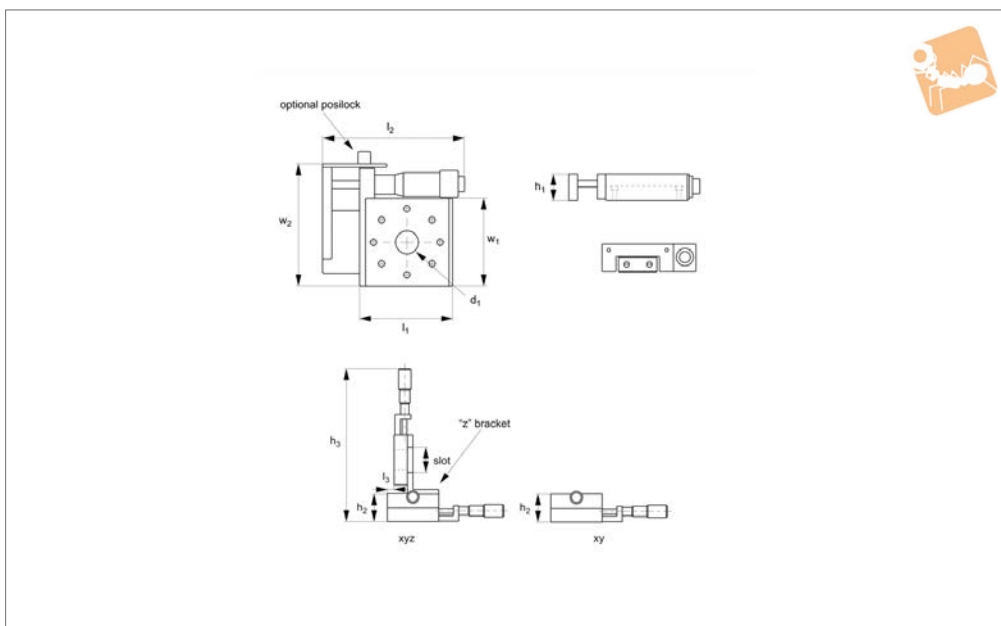
Manual Positioning Stages

Order No.	w ₂	Load Z kg max.	Load X & Y kg max.	X moment load Nm max.	Y moment load Nm max.	Z moment load Nm max.
L3112.0502-XYB	64.8	9.0	19.0	2.02	2.02	2.02
L3112.0701-XYB	84.1	9.0	27.2	4.94	4.94	4.94
L3112.0702-XYB	87.1	9.0	27.2	4.94	4.94	4.94
L3112.0401-XYR	61.0	9.0	18.1	1.92	1.92	1.92
L3112.0501-XYR	61.0	9.0	36.3	3.84	3.84	3.84
L3112.0502-XYR	64.8	9.0	36.3	3.84	3.84	3.84
L3112.0701-XYR	84.1	9.0	72.5	13.18	13.18	13.18
L3112.0702-XYR	87.1	9.0	72.5	13.18	13.18	13.18
L3112.0401-XYZB	61.0	9.0	9.1	0.96	0.96	0.96
L3112.0501-XYZB	61.0	9.0	19.0	2.02	2.02	2.02
L3112.0502-XYZB	64.8	9.0	19.0	2.02	2.02	2.02
L3112.0701-XYZB	84.1	9.0	27.2	4.94	4.94	4.94
L3112.0702-XYZB	87.1	9.0	27.2	4.94	4.94	4.94
L3112.0401-XYZR	61.0	9.0	18.1	1.92	1.92	1.92
L3112.0501-XYZR	61.0	9.0	36.3	3.84	3.84	3.84
L3112.0502-XYZR	64.8	9.0	36.3	3.84	3.84	3.84
L3112.0701-XYZR	84.1	9.0	72.5	13.18	13.18	13.18
L3112.0702-XYZR	87.1	9.0	72.5	13.18	13.18	13.18

MANUAL POSITIONING STAGES



L3113



Material

Aluminium carriage and base, black anodised steel fixing, hardened steel shafts and balls and roller elements

Technical Notes

Ball roller versions recommended for light loads. Cross roller versions for heavier loads and moment loads.

Straight line accuracy 12µ/25mm travel. Repeatability 3µ.

Spring loaded micrometer allows precise repeatable adjustments with low friction and zero backlash.

Micrometer increments 0,01mm.

For further fixing and mounting hole dimensions please see part number L3100.FH.

Tips

Other options:
- LM (locking micrometer).

- PL (posi-lock carriage lock).

Loads on the Z axis may extend springs if the loads are too heavy. These stages have the micrometer bracket reversed to prevent this and increase the Z load capacity.

Important Notes

Stroke is centred on the mid-point of the slides (ie 50% of total stroke each way).

3D CAD available.

Order No.	Type	Travel	h ₁	h ₂	h ₃	l ₁	l ₂	l ₃	w ₁	Weight kg
L3113.1201-XYB	XY Ball	25	23.1	46.2	-	79.2	120.7	-	79.2	13.6
L3113.1203-XYB	XY Ball	25	23.1	46.2	-	79.2	120.7	-	79.2	13.6
L3113.2201-XYB	XY Ball	25	23.1	46.2	-	104.6	120.7	-	104.6	13.6
L3113.2202-XYB	XY Ball	50	23.1	46.2	-	104.6	171.7	-	104.6	13.6
L3113.2203-XYB	XY Ball	25	23.1	46.2	-	104.6	120.7	-	104.6	13.6
L3113.2204-XYB	XY Ball	50	23.1	46.2	-	104.6	171.7	-	104.6	13.6
L3113.3201-XYB	XY Ball	25	23.1	46.2	-	130.0	130.0	-	130.0	13.6
L3113.3202-XYB	XY Ball	50	23.1	46.2	-	130.0	171.7	-	130.0	13.6
L3113.3203-XYB	XY Ball	25	23.1	46.2	-	130.0	130.0	-	130.0	13.6
L3113.3204-XYB	XY Ball	50	23.1	46.2	-	130.0	171.7	-	130.0	13.6
L3113.1201-XYR	XY Roller	25	23.1	46.2	-	79.2	120.7	-	79.2	38.5
L3113.1203-XYR	XY Roller	25	23.1	46.2	-	79.2	120.7	-	79.2	38.5
L3113.2201-XYR	XY Roller	25	23.1	46.2	-	104.6	120.7	-	104.6	38.5
L3113.2202-XYR	XY Roller	50	23.1	46.2	-	104.6	171.7	-	104.6	38.5
L3113.2203-XYR	XY Roller	25	23.1	46.2	-	104.6	120.7	-	104.6	38.5
L3113.2204-XYR	XY Roller	50	23.1	46.2	-	104.6	171.7	-	104.6	38.5
L3113.3201-XYR	XY Roller	25	23.1	46.2	-	130.0	130.0	-	130.0	38.5
L3113.3202-XYR	XY Roller	50	23.1	46.2	-	130.0	171.7	-	130.0	38.5
L3113.3203-XYR	XY Roller	25	23.1	46.2	-	130.0	130.0	-	130.0	38.5
L3113.3204-XYR	XY Roller	50	23.1	46.2	-	130.0	171.7	-	130.0	38.5
L3113.1201-XYZB	XYZ Ball	25	23.1	46.2	186.2	79.2	120.7	8.4	79.2	13.6
L3113.1203-XYZB	XYZ Ball	25	23.1	46.2	186.2	79.2	120.7	8.4	79.2	13.6
L3113.2201-XYZB	XYZ Ball	25	23.1	46.2	198.9	104.6	120.7	13.2	104.6	13.6
L3113.2202-XYZB	XYZ Ball	50	23.1	46.2	249.9	104.6	171.7	13.2	104.6	13.6
L3113.2203-XYZB	XYZ Ball	25	23.1	46.2	198.9	104.6	120.7	13.2	104.6	13.6
L3113.2204-XYZB	XYZ Ball	50	23.1	46.2	249.9	104.6	171.7	13.2	104.6	13.6



Micrometer Positioning XY, XYZ

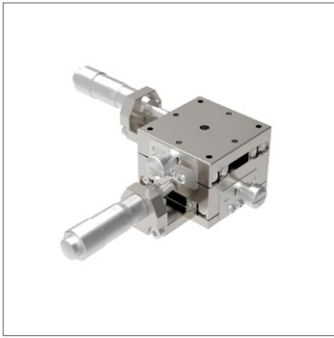
side drive, large sizes

Manual Positioning Stages

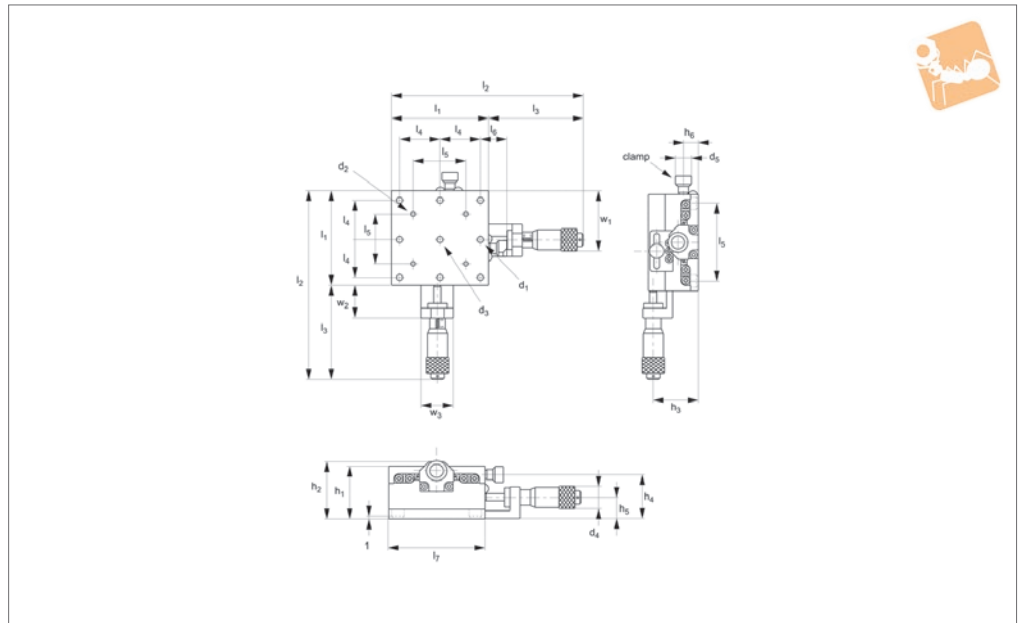
Order No.	Type	Travel	h ₁	h ₂	h ₃	l ₁	l ₂	l ₃	w ₁	Weight kg
L3113.3201-XYZB	XYZ Ball	25	23.1	46.2	208.2	130.0	130.0	27.7	130.0	13.6
L3113.3202-XYZB	XYZ Ball	50	23.1	46.2	249.9	130.0	171.7	27.7	130.0	13.6
L3113.3203-XYZB	XYZ Ball	25	23.1	46.2	208.2	130.0	130.0	27.7	130.0	13.6
L3113.3204-XYZB	XYZ Ball	50	23.1	46.2	249.9	130.0	171.7	27.7	130.0	13.6
L3113.1201-XYZR	XYZ Roller	25	23.1	46.2	186.2	79.2	120.7	8.4	79.2	38.5
L3113.1203-XYZR	XYZ Roller	25	23.1	46.2	186.2	79.2	120.7	8.4	79.2	38.5
L3113.2201-XYZR	XYZ Roller	25	23.1	46.2	198.9	104.6	120.7	13.2	104.6	38.5
L3113.2202-XYZR	XYZ Roller	50	23.1	46.2	249.9	104.6	171.7	13.2	104.6	38.5
L3113.2203-XYZR	XYZ Roller	25	23.1	46.2	198.9	104.6	120.7	13.2	104.6	38.5
L3113.2204-XYZR	XYZ Roller	50	23.1	46.2	249.9	104.6	171.7	13.2	104.6	38.5
L3113.3201-XYZR	XYZ Roller	25	23.1	46.2	208.2	130.0	130.0	27.7	130.0	38.5
L3113.3202-XYZR	XYZ Roller	50	23.1	46.2	249.9	130.0	171.7	27.7	130.0	38.5
L3113.3203-XYZR	XYZ Roller	25	23.1	46.2	208.2	130.0	130.0	27.7	130.0	38.5
L3113.3204-XYZR	XYZ Roller	50	23.1	46.2	249.9	130.0	171.7	27.7	130.0	38.5

Order No.	w ₂	Through hole d ₁	Load Z kg max.	Load X & Y kg max.	X moment load Nm max.	Y moment load Nm max.	Z moment load Nm max.
L3113.1201-XYB	102.6	-	13.6	13.6	2.05	1.95	1.95
L3113.1203-XYB	102.6	25	13.6	13.6	2.05	1.95	1.95
L3113.2201-XYB	128.0	-	13.6	13.6	3.21	3.04	3.04
L3113.2202-XYB	128.0	-	13.6	13.6	3.21	3.04	3.04
L3113.2203-XYB	128.0	38	13.6	13.6	3.21	3.04	3.04
L3113.2204-XYB	128.0	38	13.6	13.6	3.21	3.04	3.04
L3113.3201-XYB	153.4	-	13.6	13.6	4.25	4.05	4.05
L3113.3202-XYB	153.4	-	13.6	13.6	4.25	4.05	4.05
L3113.3203-XYB	153.4	51	13.6	13.6	4.25	4.05	4.05
L3113.3204-XYB	153.4	51	13.6	13.6	4.25	4.05	4.05
L3113.1201-XYR	102.6	-	13.6	38.5	5.81	5.53	5.53
L3113.1203-XYR	102.6	25	13.6	38.5	5.81	5.53	5.53
L3113.2201-XYR	128.0	-	13.6	38.5	9.10	8.60	8.60
L3113.2202-XYR	128.0	-	13.6	38.5	9.10	8.60	8.60
L3113.2203-XYR	128.0	38	13.6	38.5	9.10	8.60	8.60
L3113.2204-XYR	128.0	38	13.6	38.5	9.10	8.60	8.60
L3113.3201-XYR	153.4	-	13.6	38.5	12.05	11.47	11.47
L3113.3202-XYR	153.4	-	13.6	38.5	12.05	11.47	11.47
L3113.3203-XYR	153.4	51	13.6	38.5	12.05	11.47	11.47
L3113.3204-XYR	153.4	51	13.6	38.5	12.05	11.47	11.47
L3113.1201-XYZB	102.6	-	13.6	13.6	2.05	1.95	1.95
L3113.1203-XYZB	102.6	25	13.6	13.6	2.05	1.95	1.95
L3113.2201-XYZB	128.0	-	13.6	13.6	3.21	3.04	3.04
L3113.2202-XYZB	128.0	-	13.6	13.6	3.21	3.04	3.04
L3113.2203-XYZB	128.0	38	13.6	13.6	3.21	3.04	3.04
L3113.2204-XYZB	128.0	38	13.6	13.6	3.21	3.04	3.04
L3113.3201-XYZB	153.4	-	13.6	13.6	4.25	4.05	4.05
L3113.3202-XYZB	153.4	-	13.6	13.6	4.25	4.05	4.05
L3113.3203-XYZB	153.4	51	13.6	13.6	4.25	4.05	4.05
L3113.3204-XYZB	153.4	51	13.6	13.6	4.25	4.05	4.05
L3113.1201-XYZR	102.6	-	13.6	38.5	5.81	5.53	5.53
L3113.1203-XYZR	102.6	25	13.6	38.5	5.81	5.53	5.53
L3113.2201-XYZR	128.0	-	13.6	38.5	9.10	8.60	8.60
L3113.2202-XYZR	128.0	-	13.6	38.5	9.10	8.60	8.60
L3113.2203-XYZR	128.0	38	13.6	38.5	9.10	8.60	8.60
L3113.2204-XYZR	128.0	38	13.6	38.5	9.10	8.60	8.60
L3113.3201-XYZR	153.4	-	13.6	38.5	12.05	11.47	11.47
L3113.3202-XYZR	153.4	-	13.6	38.5	12.05	11.47	11.47
L3113.3203-XYZR	153.4	51	13.6	38.5	12.05	11.47	11.47
L3113.3204-XYZR	153.4	51	13.6	38.5	12.05	11.47	11.47

MANUAL POSITIONING STAGES



L3121



Material

Stainless steel (440C) with electroless nickel plating.

Technical Notes

Straightness accuracy 5µ.

Spring loaded micrometer allows precise repeatable adjustments with low friction and zero backlash.

Micrometer increments 0,01mm.

Important Notes

Stroke is centred on the mid-point of the slides (ie 50% of total stroke each way).

3D CAD available.

Order No.	Travel	d ₁	d ₂	d ₃ tol. H7	d ₄	d ₅	h ₁	h ₂	h ₃	h ₄	h ₅
L3121.040	13	M3	-	4	13	10	32.0	35.0	29.0	26.5	13.0
L3121.060	13	M4	M3	4	13	10	32.0	35.0	29.0	26.5	13.0
L3121.080	25	M4	M3	4	13	10	40.0	44.3	36.8	34.5	16.8
L3121.100	25	M4	M4	4	13	10	40.0	44.3	36.8	34.5	16.8

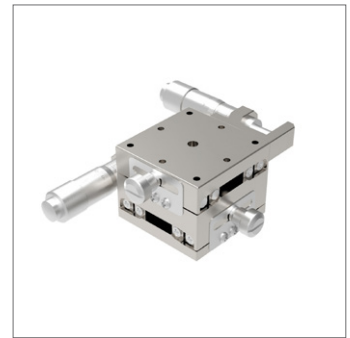
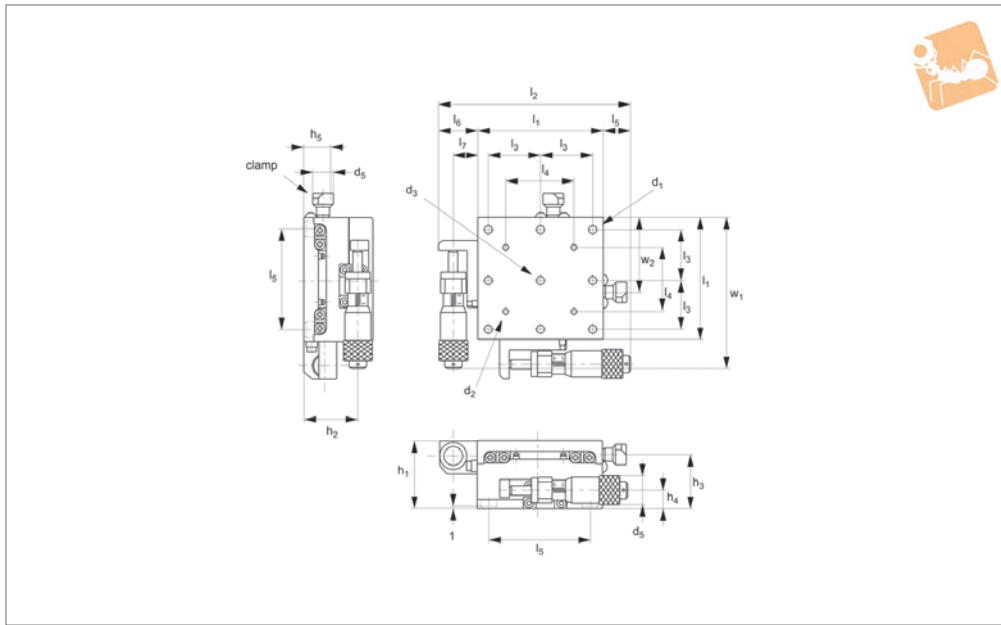
Order No.	h ₆	l ₁	l ₂	l ₃	l ₄	l ₅	l ₆	l ₇	w ₁	w ₂	w ₃	Load kg max.
L3121.040	10.5	40	98.5	58.5	16	32	15.5	32	26	20.5	21	9.7
L3121.060	10.5	60	118.5	58.5	25	50	16.5	50	36	20.5	20	19.6
L3121.080	14.5	80	160	80.0	25	70	24.5	70	55	24.5	24	26.1
L3121.100	14.5	100	180	80.0	25	90	24.5	90	67.5	24.5	24	33.6



Stainless Micrometer XY Stages

side drive

Manual Positioning Stages



L3123

MANUAL POSITIONING STAGES

Material

Stainless steel (440C) with electroless nickel plating.

Technical Notes

Straightness accuracy 5µ.

Spring loaded micrometer allows precise repeatable adjustments with low friction and zero backlash.
Micrometer increments 0,01mm.

Important Notes

Stroke is centred on the mid-point of the slides (ie 50% of total stroke each way).
3D CAD available.

Order No.	Travel	d ₁	d ₂	d ₃	d ₄	d ₅	h ₁	h ₂	h ₃	h ₄	h ₅
L3123.040	13	M3	-	4	13	10	32.0	25.0	26.5	9	10.5
L3123.060	13	M4	M3	4	13	10	32.0	25.0	26.5	9	10.5
L3123.080	25	M4	M4	4	13	10	40.0	30.8	34.5	10.8	14.5
L3123.100	25	M4	M4	4	13	10	40.0	30.8	34.5	10.8	14.5

Order No.	l ₁	l ₂	l ₃	l ₄	l ₅	l ₆	l ₇	w ₁	Load kg max.
L3123.040	40	82.3	16	-	23.8	18.5	12	75	9.7
L3123.060	60	92.3	25	32	13.8	18.5	12	73.75	19.6
L3123.080	80	136	25	70	32.5	23.5	17	123.7	26.1
L3123.100	100	141	25	90	17.5	23.5	17	128.7	33.6