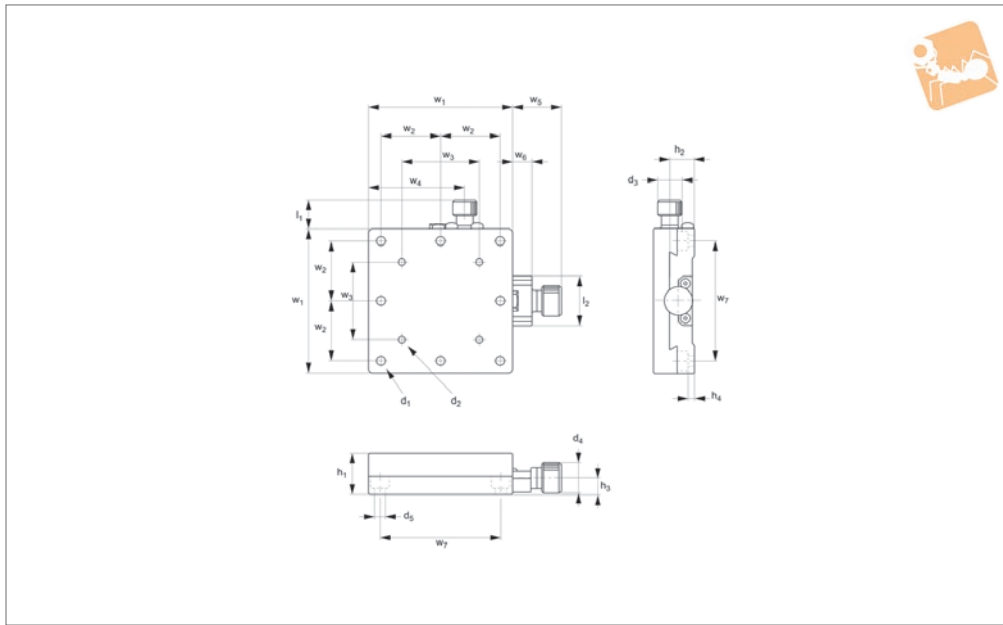




Miniature Dovetail Stages

X axis

Manual Positioning Stages



L3300.X

MANUAL POSITIONING STAGES

Material

Brass, blackened body, aluminium knob.

Minimum vernier reading 0,1mm.

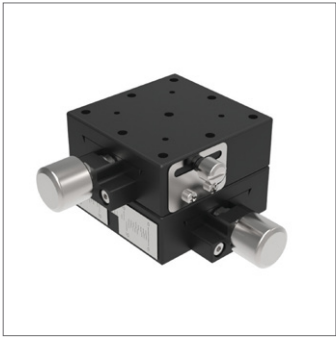
Straightness accuracy 30µ.

Technical Notes

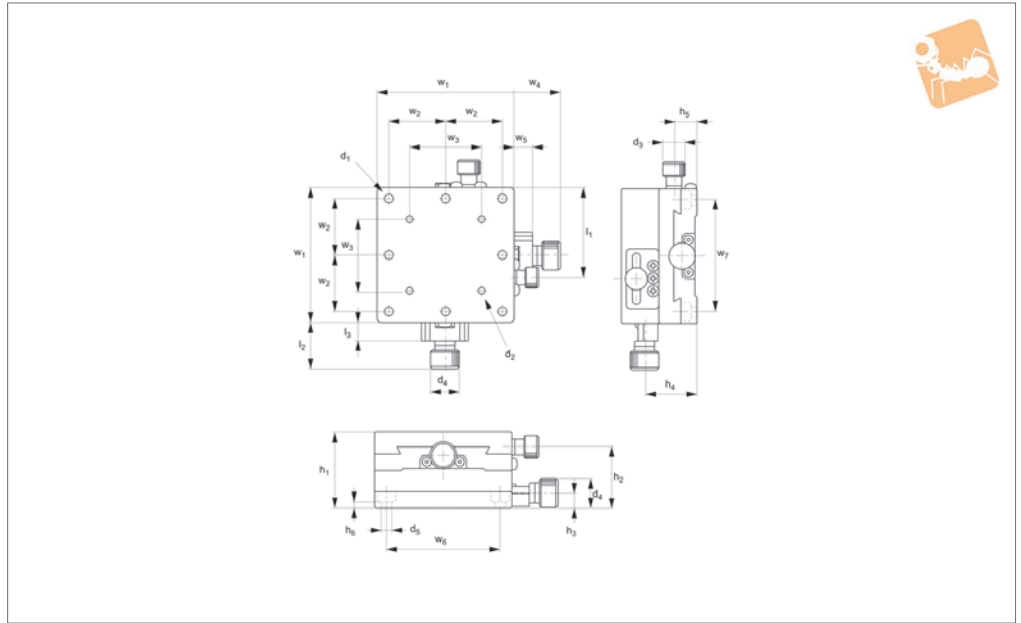
Travel 0,5mm for one revolution.

Order No.	h_1	Travel	Load kg max.	w_1	d_1	d_2	d_3	d_4
L3300.025-X	15	±3	3.0	25	M2	-	6	12
L3300.040-X	15	±7	3.0	40	M3	M2	6	12
L3300.060-X	17	±9	4.0	60	M4	M3	10	12

Order No.	d_5	h_2	h_3	l_1	l_2	w_2	w_3	w_4	w_5	w_6	w_7
L3300.025-X	2.5	11.5	7.0	6.7	23	10	-	15	20	8	20
L3300.040-X	3.5	11.5	7.0	6.7	23	20	20	28	20	8	32
L3300.060-X	4.5	10.5	6.5	11.5	20	25	32	40	20	8	50



L3300.XY



Material

Brass, blackened body, aluminium knob.

Minimum vernier reading 0,1mm.

Straightness accuracy 30μ.

Technical Notes

Travel 0,5mm for one revolution.

Order No.	h_1	Travel	Load kg max.	w_1	d_1	d_2	d_3	d_4
L3300.025-XY	30	±3	2.9	25	M2	-	6	12
L3300.040-XY	30	±7	2.8	40	M3	M2	6	12
L3300.060-XY	34	±9	3.4	60	M4	M3	10	12

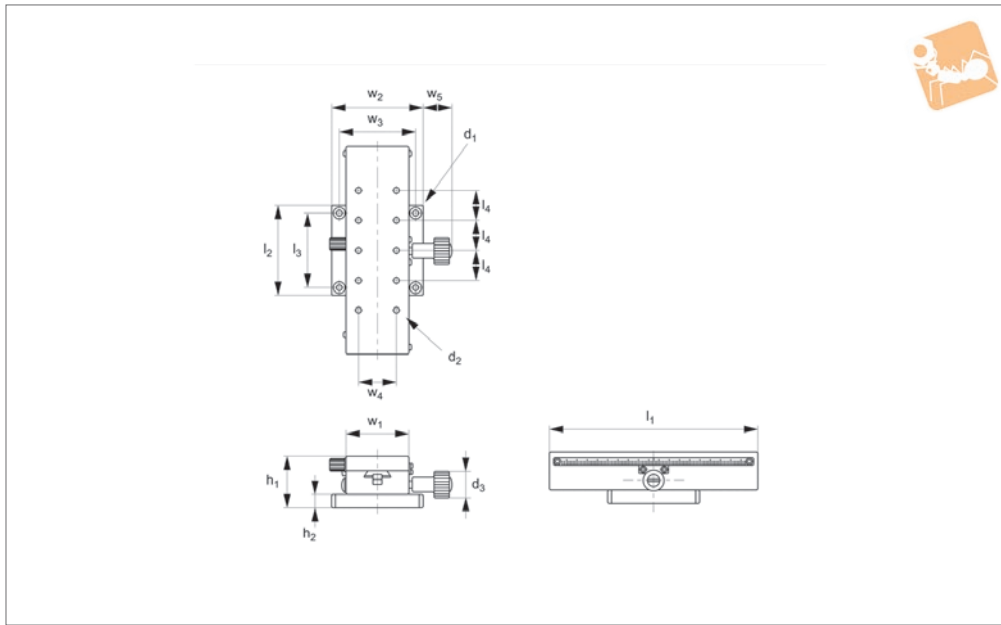
Order No.	d_5	h_2	h_3	h_4	h_5	h_6	l_1	l_2	l_3	w_2	w_3	w_4	w_5	w_6	w_7
L3300.025-XY	2.5	26.5	7.0	22.0	11.5	4.5	15	20	8	10	-	20	8.0	8	20
L3300.040-XY	3.5	26.5	7.0	22.0	11.5	3.5	28	20	8	20	20	20	8.0	8	32
L3300.060-XY	4.5	27.5	6.5	23.5	10.5	2.5	40	20	8	25	32	20	11.5	8	50



Dovetail Stages - Rack & Pinion

X axis

Manual Positioning Stages



L3303.X

MANUAL POSITIONING STAGES

Material

Aluminium body blackened, steel knob.

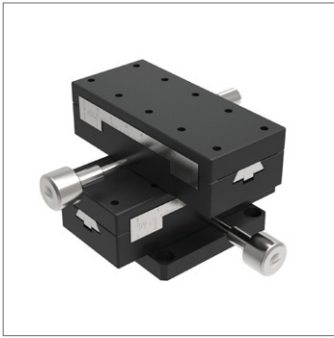
Minimum vernier reading 0,1mm.

Straightness accuracy 30µ.

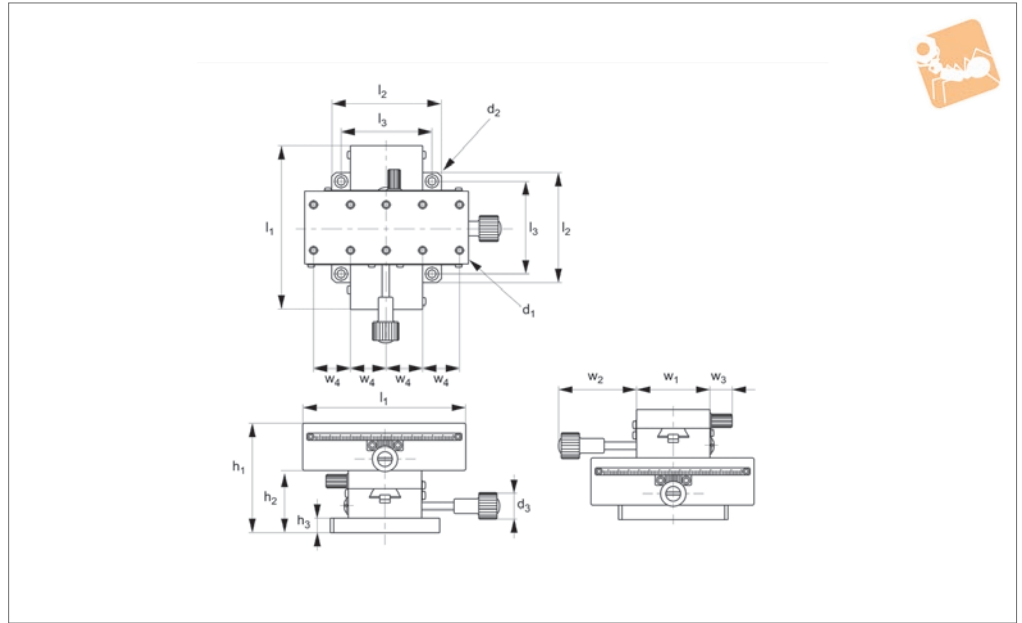
Technical Notes

Travel 18mm for one revolution.

Order No.	h_1	Travel	Load kg max.	w_1	d_1	d_2	d_3	h_2	l_1	l_2	l_3	l_4	w_2	w_3	w_4	w_5
L3303.042-X	34	±12	3.0	24.8	4.5	M4	15	8	42	50	40	20	50	40	15	17.8
L3303.060-X	34	±21	4.0	40.0	4.5	M4	15	8	60	60	50	20	60	50	25	17.8
L3303.090-X	34	±35	4.0	40.0	4.5	M4	15	8	90	60	50	20	60	50	25	17.8
L3303.140-X	34	±60	4.0	40.0	4.5	M4	15	8	140	60	50	20	60	50	25	17.8



L3303.XY



Material
Aluminium body blackened, steel knob.

Minimum vernier reading 0,1mm.
Straightness accuracy 30µ.

Technical Notes
Travel 18mm for one revolution.

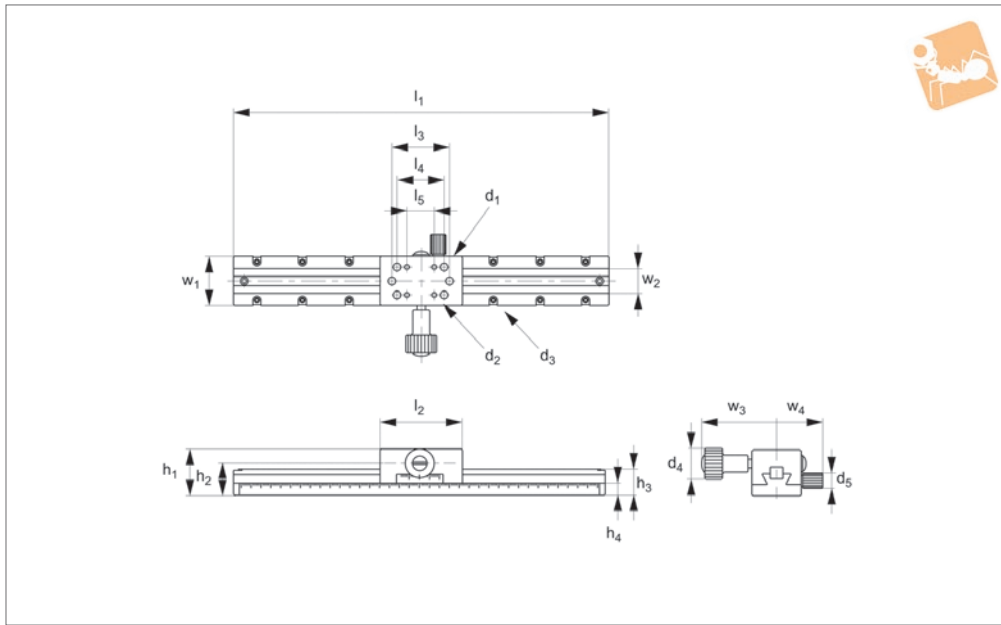
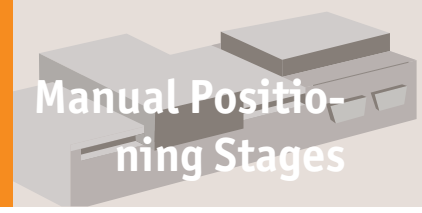
Order No.	h_1	Travel	Load kg max.	w_1	d_1	d_2	d_3	h_2	h_3	l_1	l_2	l_3	w_2	w_3	w_4
L3303.042-XY	60	±12	2.5	24.8	M4	4.5	15	8	34	42	50	40	28	12	12.5
L3303.060-XY	60	±21	3.5	40.0	M4	4.5	15	8	34	60	60	50	28	12	20
L3303.090-XY	60	±35	3.5	40.0	M4	4.5	15	8	34	90	60	50	43	13	20



Dovetail Stages - Rack & Pinion

long stroke, X axis

Manual Positioning Stages



L3305

MANUAL POSITIONING STAGES

Material

Aluminium body blackened, steel knob.

Minimum vernier reading 0,1mm.

Straightness accuracy 30µ.

Technical Notes

Travel 18mm for one revolution.

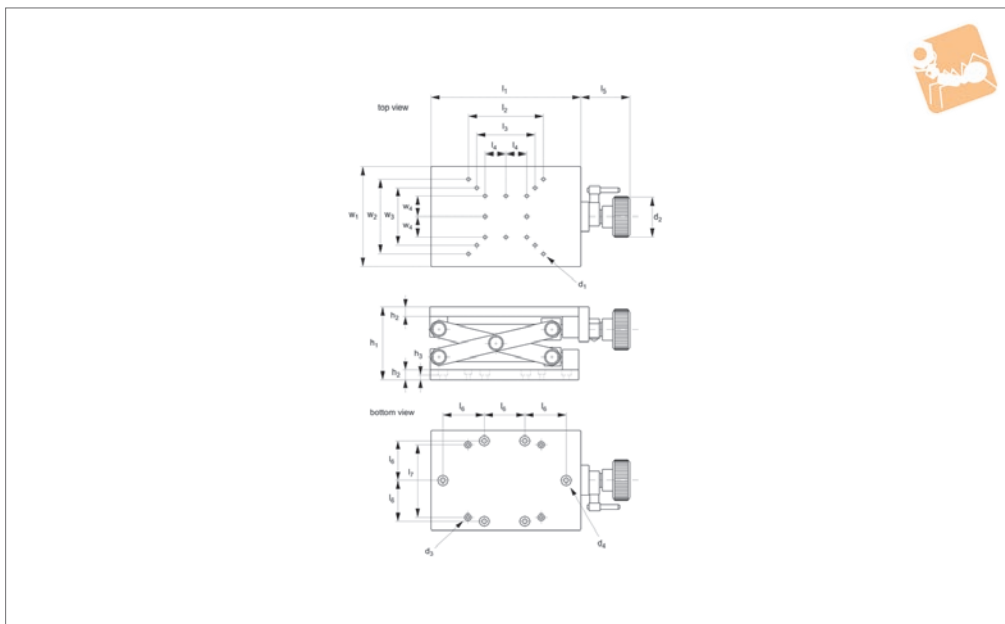
Use screwdriver to adjust knob to allow coarse or fine adjustment.

Order No.	h ₁	Travel	Load kg max.	w ₁	Accuracy	d ₁	d ₂	d ₃ for
L3305.100	25	±40	3.0	25	30µ	M2	M2	M3
L3305.150	25	±60	3.0	25	40µ	M4	M2	M3
L3305.200	25	±95	3.0	25	50µ	M4	M2	M3

Order No.	d ₄	d ₅	h ₂	h ₃	h ₄	l ₁	l ₂	l ₃	l ₄	l ₅	w ₂	w ₃	w ₄
L3305.100	15	8	17.1	14.8	6	100	42	30	25	15	15	40.2	24.5
L3305.150	15	8	17.1	14.8	6	150	42	30	25	15	15	40.2	24.5
L3305.200	15	8	17.1	14.8	6	200	42	30	25	15	15	40.2	24.5



L3320



Material

Aluminium body blackened, steel knob.

Order No.	h_1	w_1	Holding force kgf	Parallelism	d_1	d_2	d_3	d_4
L3320.080	60-100	80	7	0.2	M4	35	4.5	7.0
L3320.120	90-160	120	10	0.2	M4	50	4.5	8.0

Order No.	h_2	h_3	l_1	l_2	l_3	l_4	l_5	l_6	l_7	w_2	w_3	w_4
L3320.080	8	3.5	120	70	-	25	43	35	-	70	-	25
L3320.120	12	5.5	180	90	70	25	61	50	90	90	70	25