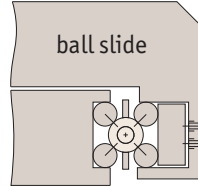


There are two different load ratings for these stages.

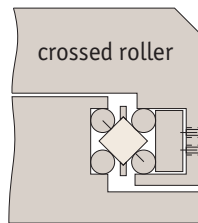
Ball slides:

These have precision steel balls rolling in the tracks. They are the least expensive, loads up to 28Kg.



Cross roller slides:

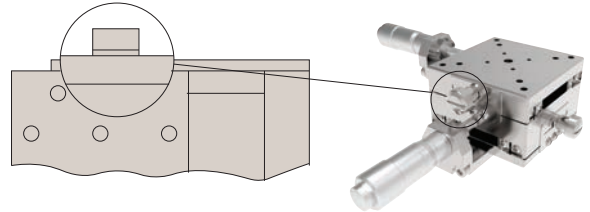
These have the same dimensions but have rollers allowing the slide to carry large loads and absorb greater moment loads up to 54Kg.



Locking options

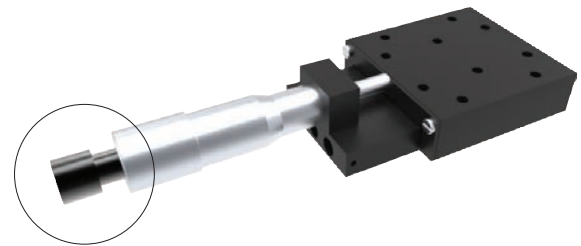
Posi-lock:

Allows locking of the carriage in place with a friction locking mechanism.



Locking micrometer:

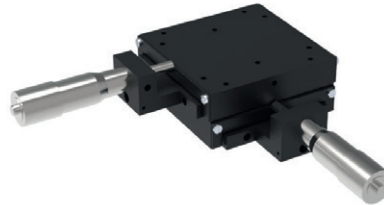
Locking of the micrometer to fix the micrometer setting.



Front drive micrometer positioning stages



X Stage



XY Stage

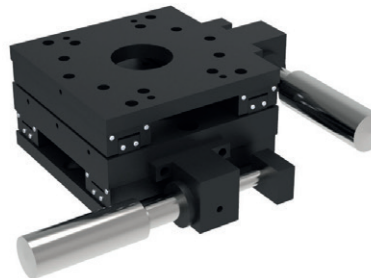


XYZ Stage

Side drive micrometer positioning stages



X Stage



XY Stage

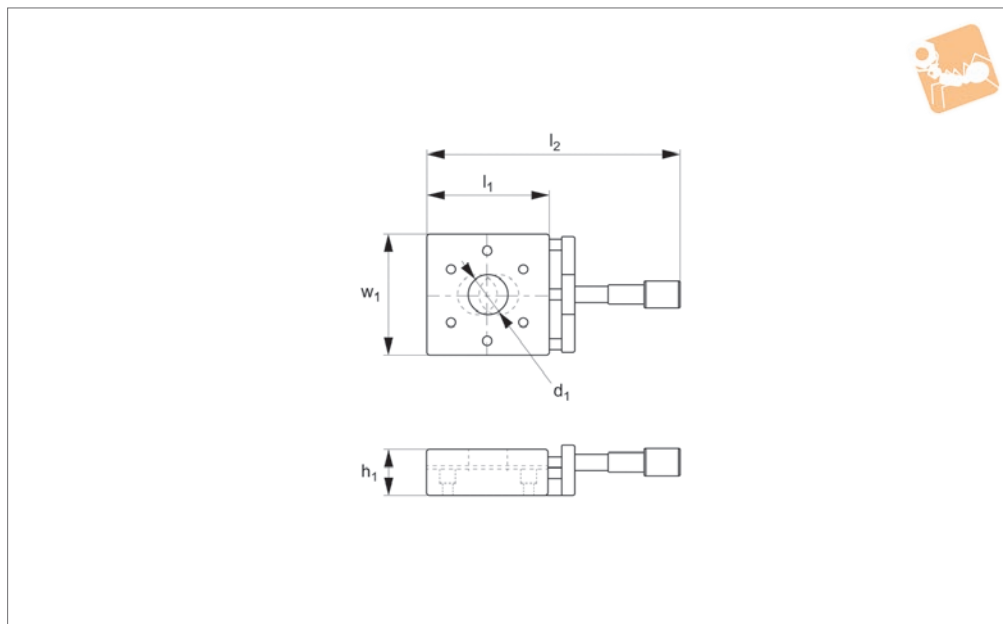


XYZ Stage

Also available in stainless steel.



L3100



Material

Aluminium carriage and base, black anodised steel fixing, hardened steel shafts and balls and roller elements.

Technical Notes

Ball roller versions recommended for light loads. Cross roller versions for heavier loads and moment loads.
Straight line accuracy 12µ/25mm travel.
Repeatability 3µ.

Spring loaded micrometer allows precise repeatable adjustments with low friction and zero backlash.

Micrometer increments 0,01mm.

For further fixing and mounting hole dimensions please see part number L3100.FH.

Tips

Other options:
- LM (locking micrometer). Not available

for .0101, .0201 and .0301 sizes.

- PL (posi-lock carriage lock)

For XY and XYZ axes see L3106-L3113.

Important Notes

Stroke is centred on the mid-point of the slides (ie 50% of total stroke each way).

3D CAD available.

Order No.	Type	Travel	l_1	l_2	h_1	Through hole d_1	w_1	Load X & XY kg max.	Load Z kg max.	X moment load Nm max.	Y moment load Nm max.	Z moment load Nm max.	Weight kg
L3100.0099-B	Ball	6	19,1	57,9	13,5		19,1	2,3	0,7	0,11	0,11	0,11	2,3
L3100.0101-B	Ball	13	31,8	82,6	9,7		31,8	1,8	0,7	0,19	0,18	0,18	1,8
L3100.0201-B	Ball	13	44,5	95,3	9,7		44,5	1,8	0,7	0,28	0,27	0,27	1,8
L3100.0301-B	Ball	13	38,1	88,9	15,7	8	38,1	5,4	0,9	0,50	0,50	0,50	5,4
L3100.0450-B	Ball	13	44,5	111,3	19,1		44,5	9,1	0,9	0,96	0,96	0,96	9,1
L3100.0451-B	Ball	25	44,5	149,4	19,1		44,5	9,1	0,9	0,96	0,96	0,96	9,1
L3100.0453-B	Ball	13	44,5	111,3	19,1	13	44,5	9,1	0,9	0,96	0,96	0,96	9,1
L3100.0750-B	Ball	13	66,5	133,4	25,4		66,5	27,2	0,9	4,94	4,94	4,94	27,2
L3100.0751-B	Ball	25	66,5	171,5	25,4		66,5	27,2	0,9	4,94	4,94	4,94	27,2
L3100.0753-B	Ball	13	66,5	133,4	25,4	25	66,5	27,2	0,9	4,94	4,94	4,94	27,2
L3100.0401-B	Ball	13	50,8	117,3	19,1		44,5	9,1	9,0	0,96	0,96	0,96	9,1
L3100.0501-B	Ball	13	82,6	148,8	19,1		44,5	19,0	9,0	2,02	2,02	2,02	19,0
L3100.0502-B	Ball	25	82,6	188,2	19,1		44,5	19,0	9,0	2,02	2,02	2,02	19,0
L3100.0701-B	Ball	13	101,6	168,1	25,4		66,5	27,2	9,0	4,94	4,94	4,94	27,2
L3100.0702-B	Ball	25	101,6	209,6	25,4		66,5	27,2	9,0	4,94	4,94	4,94	27,2
L3100.1201-B	Ball	25	79,2	184,2	23,1		79,2	13,6	13,6	2,05	1,95	1,95	13,6
L3100.1203-B	Ball	25	79,2	184,2	23,1	25	79,2	13,6	13,6	2,05	1,95	1,95	13,6
L3100.2201-B	Ball	25	104,6	209,6	23,1		104,6	13,6	13,6	3,21	3,04	3,04	13,6
L3100.2202-B	Ball	50	104,6	260,4	23,1		104,6	13,6	13,6	3,21	3,04	3,04	13,6
L3100.2203-B	Ball	25	104,6	209,6	23,1	38	104,6	13,6	13,6	3,21	3,04	3,04	13,6
L3100.2204-B	Ball	50	104,6	260,4	23,1	38	104,6	13,6	13,6	3,21	3,04	3,04	13,6
L3100.3201-B	Ball	25	130,2	235,0	23,1		130,2	13,6	13,6	4,25	4,05	4,05	13,6
L3100.3202-B	Ball	50	130,2	285,8	23,1		130,2	13,6	13,6	4,25	4,05	4,05	13,6
L3100.3203-B	Ball	25	130,2	235,0	23,1	51	130,2	13,6	13,6	4,25	4,05	4,05	13,6
L3100.3204-B	Ball	50	130,2	285,8	23,1	51	130,2	13,6	13,6	4,25	4,05	4,05	13,6



Positioning Stages - Front Micrometer

X Stage, main dimensions

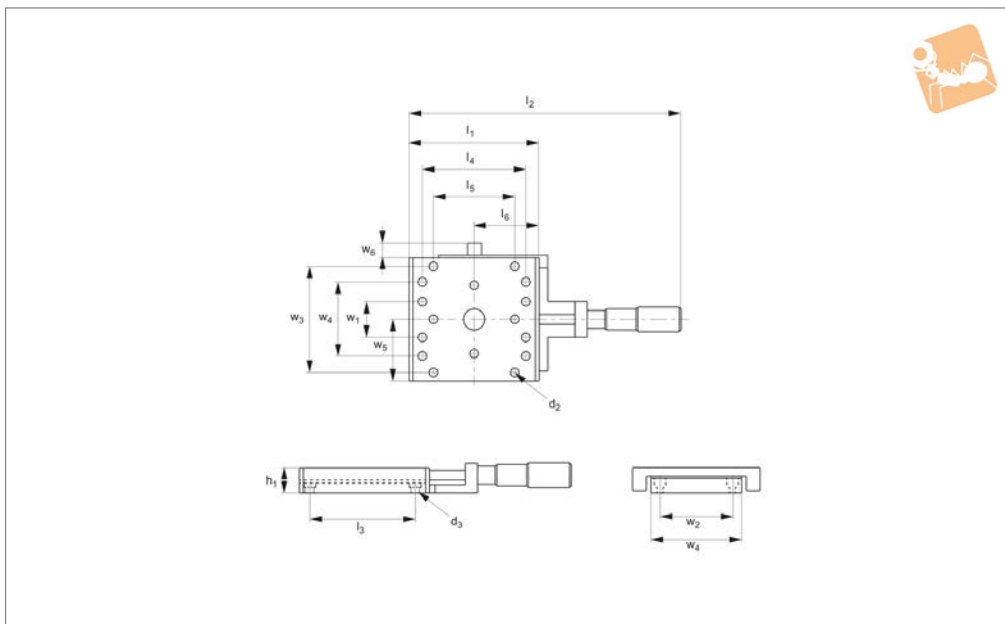
Manual Positioning Stages

Order No.	Type	Travel	l_1	l_2	h_1	Through hole d_1	w_1	Load X & XY kg max.	Load Z kg max.	X moment load Nm max.	Y moment load Nm max.	Z moment load Nm max.	Weight kg
L3100.0099-R	Roller	6	19,1	57,9	13,5		19,1	18,1	0,7				18,1
L3100.0101-R	Roller	13	31,8	82,6	9,7		31,8	10,4	0,7	1,09	1,04	1,04	10,4
L3100.0201-R	Roller	13	44,5	95,3	9,7		44,5	10,4	0,7	1,64	1,56	1,56	10,4
L3100.0301-R	Roller	13	38,1	88,9	15,7	8	38,1	18,1	0,9	2,88	2,88	2,88	18,1
L3100.0450-R	Roller	13	44,5	111,3	19,1		44,5	18,1	0,9	1,92	1,92	1,92	18,1
L3100.0451-R	Roller	25	44,5	149,4	19,1		44,5	18,1	0,9	1,92	1,92	1,92	18,1
L3100.0453-R	Roller	13	44,5	111,3	19,1	13	44,5	18,1	0,9	1,92	1,92	1,92	18,1
L3100.0750-R	Roller	13	66,5	133,4	25,4		66,5	54,4	0,9	9,88	9,88	9,88	54,4
L3100.0751-R	Roller	25	66,5	171,5	25,4		66,5	54,4	0,9	9,88	9,88	9,88	54,4
L3100.0753-R	Roller	13	66,5	133,4	25,4	25	66,5	54,4	0,9	9,88	9,88	9,88	54,4
L3100.0401-R	Roller	13	50,8	117,3	19,1		44,5	18,1	9,0	1,92	1,92	1,92	18,1
L3100.0501-R	Roller	13	82,6	148,8	19,1		44,5	36,3	9,0	3,84	3,84	3,84	36,3
L3100.0502-R	Roller	25	82,6	188,2	19,1		44,5	36,3	9,0	3,84	3,84	3,84	36,3
L3100.0701-R	Roller	13	101,6	168,1	25,4		66,5	72,5	9,0	13,18	13,18	13,18	72,5
L3100.0702-R	Roller	25	101,6	209,6	25,4		66,5	72,5	9,0	13,18	13,18	13,18	72,5
L3100.1201-R	Roller	25	79,2	184,2	23,1		79,2	38,5	13,6	5,81	5,53	5,53	38,5
L3100.1203-R	Roller	25	79,2	184,2	23,1	25	79,2	38,5	13,6	5,81	5,53	5,53	38,5
L3100.2201-R	Roller	25	104,6	209,6	23,1		104,6	38,5	13,6	9,10	8,60	8,60	38,5
L3100.2202-R	Roller	50	104,6	260,4	23,1		104,6	38,5	13,6	9,10	8,60	8,60	38,5
L3100.2203-R	Roller	25	104,6	209,6	23,1	38	104,6	38,5	13,6	9,10	8,60	8,60	38,5
L3100.2204-R	Roller	50	104,6	260,4	23,1	38	104,6	38,5	13,6	9,10	8,60	8,60	38,5
L3100.3201-R	Roller	25	130,2	235,0	23,1		130,2	38,5	13,6	12,05	11,47	11,47	38,5
L3100.3202-R	Roller	50	130,2	285,8	23,1		130,2	38,5	13,6	12,05	11,47	11,47	38,5
L3100.3203-R	Roller	25	130,2	235,0	23,1	51	130,2	38,5	13,6	12,05	11,47	11,47	38,5
L3100.3204-R	Roller	50	130,2	285,8	23,1	51	130,2	38,5	13,6	12,05	11,47	11,47	38,5

MANUAL POSITIONING STAGES



L3100.FH



Material

Aluminium carriage and base, black anodised steel fixing, hardened steel shafts and balls and roller elements.

Technical Notes

For main dimensions and load ratings

please see product page then refer to this information for detailed hole fixing data. These tables simply show additional mounting and fixing hole information. Dimensions l_6 and w_7 relate to optional posilock device.

Important Notes

Stroke is centred on the mid-point of the slides (ie 50% of total stroke each way). **3D CAD available.**

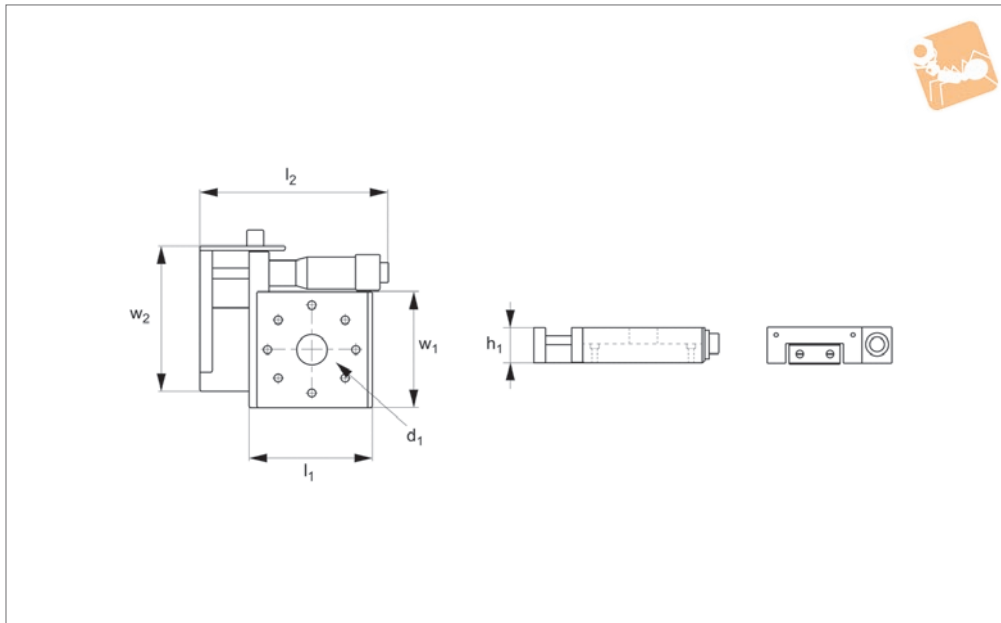
Order No.	l_1	l_2	l_3	l_4	l_5	l_6	d_2	d_3 for	w_1	w_2	w_3	w_4	w_5	w_6
L3100.0099-X	19.1	57.9	13.5	14.3	7.9	-	M2	M2	13.5	7.9	-	-	14.3	-
L3100.0101-X	31.8	82.6	25.4	25.4	17.5	32.1	M2	M2	25.4	12.7	-	23.9	17.5	5.7
L3100.0201-X	44.5	95.3	38.1	38.1	30.2	38.5	M2	M2	38.1	25.4	-	36.6	30.2	5.7
L3100.0301-X	38.1	88.9	30.1	30.1	0.0	29.5	M3	M3	-	30.1	-	22.2	-	6.1
L3100.0450-X	44.5	111.3	33.3	25.4	-	45.0	M4	M4	25.4	-	-	22.2	-	6.1
L3100.0451-X	44.5	149.4	33.3	25.4	0.0	60.7	M4	M4	25.4	16.7	-	22.2	-	6.1
L3100.0453-X	44.5	111.3	33.3	25.4	-	45.0	M5	M5	25.4	16.7	-	38.1	-	6.1
L3100.0750-X	66.5	133.4	50.8	50.8	35.9	45.5	M5	M5	22.2	-	-	38.1	-	6.1
L3100.0751-X	66.5	171.5	50.8	50.8	35.9	60.7	M5	M5	22.2	-	-	38.1	-	6.1
L3100.0753-X	66.5	133.4	50.8	50.8	?	45.5	M5	M5	22.2	-	-	38.1	-	6.1
L3100.0401-X	50.8	117.3	41.1	25.4	-	45.0	M4	M4	22.2	-	-	22.2	-	6.4
L3100.0501-X	82.6	148.8	69.9	56.0	28.0	45.0	M4	M4	22.2	-	-	22.2	-	6.4
L3100.0502-X	82.6	188.2	69.9	56.0	28.0	60.7	M4	M4	22.2	-	-	22.2	-	6.4
L3100.0701-X	101.6	168.1	85.9	50.8	-	45.0	M5	M5	31.8	-	-	38.1	-	6.4
L3100.0702-X	101.6	209.6	85.9	50.8	-	60.7	M5	M5	31.8	-	-	38.1	-	6.4
L3100.1201-X	79.2	184.2	66.7	54.0	31.5	44.5	M5	M5	66.7	54.0	31.5	-	-	5.9
L3100.1203-X	79.2	184.2	66.7	54.0	31.5	44.5	M5	M5	66.7	54.0	31.5	-	-	5.9
L3100.2201-X	104.6	208.6	92.1	79.4	31.5	57.2	M5	M5	92.1	79.4	31.5	-	-	5.9
L3100.2202-X	104.6	260.4	92.1	79.4	31.5	57.2	M5	M5	92.1	79.4	31.5	-	-	5.9
L3100.2203-X	104.6	209.6	92.1	79.4	31.5	57.2	M5	M5	92.1	79.4	31.5	-	-	5.9
L3100.2204-X	104.6	206.4	92.1	79.4	31.5	57.2	M5	M5	92.1	79.4	31.5	-	-	5.9
L3100.3201-X	130.2	235.0	117.5	104.8	31.5	69.9	M5	M5	117.5	104.8	31.5	-	-	5.9
L3100.3202-X	130.2	285.8	117.5	104.8	31.5	69.9	M5	M5	117.5	104.8	31.5	-	-	5.9
L3100.3203-X	130.2	235.0	117.5	104.8	31.5	69.9	M5	M5	117.5	104.8	31.5	-	-	5.9
L3100.3204-X	130.2	285.8	117.5	104.8	31.5	69.9	M5	M5	117.5	104.8	31.5	-	-	5.9



Positioning Stages - Side Micrometer

X stage, main dimensions

Manual Positioning Stages



L3102

MANUAL POSITIONING STAGES

Material

Aluminium carriage and base, black anodised steel fixing, hardened steel shafts and balls and roller elements

Technical Notes

Ball roller versions recommended for light loads. Cross roller versions for heavier loads and moment loads.

Straight line accuracy 12µ/25mm travel.

Repeatability 3µ.

Spring loaded micrometer allows precise repeatable adjustments with low friction and zero backlash.

Micrometer increments 0,01mm.

For further fixing and mounting hole dimensions please see part number L3100.FH.

Tips

Other options:

- LM (locking micrometer). Not available

for .0101, .0201 and .0301 sizes.

- PL (posi-lock carriage lock)

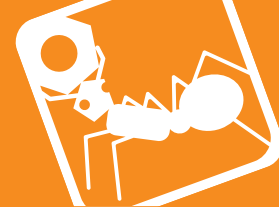
For XY and XYZ axes see L3106-L3113.

Important Notes

Stroke is centred on the mid-point of the slides (ie 50% of total stroke each way).

3D CAD available.

Order No.	Type	Travel	l_1	l_2	h_1	Through hole d_1	w_1	w_2	Load X & Y kg max.	Load Z kg max.	Moment load X N max.	Moment load Y N max.	Moment load Z N max.	Weight kg
L3102.0099-B	Ball	6	19,1	37,6	13,5		19,1	32,7	2,3	0,7	0,11	0,11	0,11	2,3
L3102.0101-B	Ball	13	31,8	54,9	9,7		31,8	44,5	1,8	0,7	0,19	0,18	0,18	1,8
L3102.0201-B	Ball	13	44,5	61,5	9,7		44,5	57,4	1,8	0,7	0,28	0,27	0,27	1,8
L3102.0301-B	Ball	13	38,1	55,4	15,7	8	38,1	51,1	5,4	0,9	0,50	0,50	0,50	5,4
L3102.0450-B	Ball	13	44,5	74,9	19,1		44,5	61,0	9,1	0,9	0,96	0,96	0,96	9,1
L3102.0451-B	Ball	25	44,5	114,5	19,1		44,5	64,8	9,1	0,9	0,96	0,96	0,96	9,1
L3102.0453-B	Ball	13	44,5	74,9	19,1	13	44,5	61,0	9,1	0,9	0,96	0,96	0,96	9,1
L3102.0750-B	Ball	13	66,5	89,4	25,4		66,5	83,1	27,2	0,9	4,94	4,94	4,94	27,2
L3102.0751-B	Ball	25	66,5	113,8	25,4		66,5	87,1	27,2	0,9	4,94	4,94	4,94	27,2
L3102.0753-B	Ball	13	66,5	89,4	25,4	25	66,5	83,1	27,2	0,9	4,94	4,94	4,94	27,2
L3102.0401-B	Ball	13	50,8	74,9	19,1		44,5	61,0	9,1	9,0	0,96	0,96	0,96	9,1
L3102.0501-B	Ball	13	82,6	105,4	19,1		44,5	61,0	19,0	9,0	2,02	2,02	2,02	19,0
L3102.0502-B	Ball	25	82,6	114,5	19,1		44,5	64,8	19,0	9,0	2,02	2,02	2,02	19,0
L3102.0701-B	Ball	13	101,6	124,5	25,4		66,5	84,1	27,2	9,0	4,94	4,94	4,94	27,2
L3102.0702-B	Ball	25	101,6	131,6	25,4		66,5	87,1	27,2	9,0	4,94	4,94	4,94	27,2
L3102.1201-B	Ball	25	79,2	120,7	23,1		79,2	102,6	13,6	13,6	2,05	1,95	1,95	13,6
L3102.1203-B	Ball	25	79,2	120,7	23,1	25	79,2	102,6	13,6	13,6	2,05	1,95	1,95	13,6
L3102.2201-B	Ball	25	104,6	120,7	23,1		104,6	128,0	13,6	13,6	3,21	3,04	3,04	13,6
L3102.2202-B	Ball	50	104,6	171,7	23,1		104,6	128,0	13,6	13,6	3,21	3,04	3,04	13,6
L3102.2203-B	Ball	25	104,6	120,7	23,1	38	104,6	128,0	13,6	13,6	3,21	3,04	3,04	13,6
L3102.2204-B	Ball	50	104,6	171,7	23,1	38	104,6	128,0	13,6	13,6	3,21	3,04	3,04	13,6
L3102.3201-B	Ball	25	130,0	130,0	23,1		130,0	153,4	13,6	13,6	4,25	4,05	4,05	13,6
L3102.3202-B	Ball	50	130,0	171,7	23,1		130,0	153,4	13,6	13,6	4,25	4,05	4,05	13,6
L3102.3203-B	Ball	25	130,0	130,0	23,1	51	130,0	153,4	13,6	13,6	4,25	4,05	4,05	13,6
L3102.3204-B	Ball	50	130,0	171,7	23,1	51	130,0	153,4	13,6	13,6	4,25	4,05	4,05	13,6



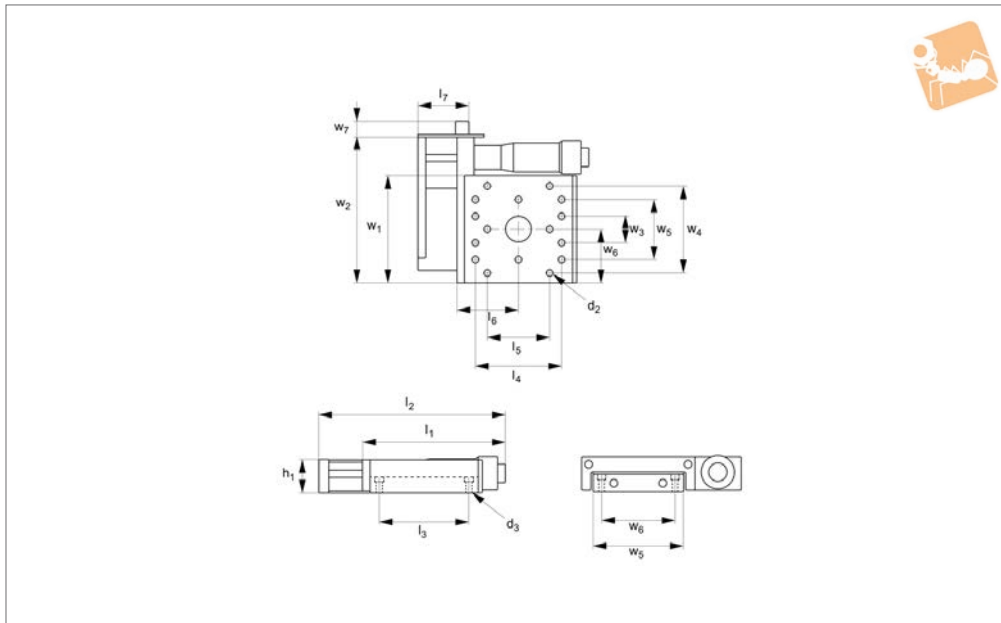
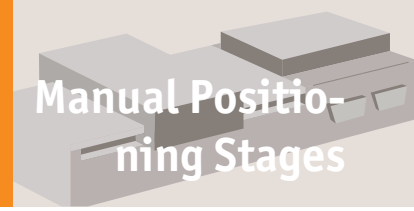
Order No.	Type	Travel	l_1	l_2	h_1	Through hole d_1	w_1	w_2	Load X & XY kg max.	Load Z kg max.	Moment load X N max.	Moment load Y N max.	Moment load Z N max.	Weight kg
L3102.0099-R	Roller	6	19,1	37,6	13,5		19,1	32,7	18,1	0,7				18,1
L3102.0101-R	Roller	13	31,8	54,9	9,7		31,8	44,5	10,4	0,7	1,09	1,04	1,04	10,4
L3102.0201-R	Roller	13	44,5	61,5	9,7		44,5	57,4	10,4	0,7	1,64	1,56	1,56	10,4
L3102.0301-R	Roller	13	38,1	55,4	15,7	8	38,1	51,1	18,1	0,9	2,88	2,88	2,88	18,1
L3102.0450-R	Roller	13	44,5	74,9	19,1		44,5	61,0	18,1	0,9	1,92	1,92	1,92	18,1
L3102.0451-R	Roller	25	44,5	114,5	19,1		44,5	64,8	18,1	0,9	1,92	1,92	1,92	18,1
L3102.0453-R	Roller	13	44,5	74,9	19,1	13	44,5	61,0	18,1	0,9	1,92	1,92	1,92	18,1
L3102.0750-R	Roller	13	66,5	89,4	25,4		66,5	83,1	54,4	0,9	9,88	9,88	9,88	54,4
L3102.0751-R	Roller	25	66,5	113,8	25,4		66,5	87,1	54,4	0,9	9,88	9,88	9,88	54,4
L3102.0753-R	Roller	13	66,5	89,4	25,4	25	66,5	83,1	54,4	0,9	9,88	9,88	9,88	54,4
L3102.0401-R	Roller	13	50,8	74,9	19,1		44,5	61,0	18,1	9,0	1,92	1,92	1,92	18,1
L3102.0501-R	Roller	13	82,6	105,4	19,1		44,5	61,0	36,3	9,0	3,84	3,84	3,84	36,3
L3102.0502-R	Roller	25	82,6	114,5	19,1		44,5	64,8	36,3	9,0	3,84	3,84	3,84	36,3
L3102.0701-R	Roller	13	101,6	124,5	25,4		66,5	84,1	72,5	9,0	13,18	13,18	13,18	72,5
L3102.0702-R	Roller	25	101,6	131,6	25,4		66,5	87,1	72,5	9,0	13,18	13,18	13,18	72,5
L3102.1201-R	Roller	25	79,2	120,7	23,1		79,2	102,6	38,5	13,6	5,81	5,53	5,53	38,5
L3102.1203-R	Roller	25	79,2	120,7	23,1	25	79,2	102,6	38,5	13,6	5,81	5,53	5,53	38,5
L3102.2201-R	Roller	25	104,6	120,7	23,1		104,6	128,0	38,5	13,6	9,10	8,60	8,60	38,5
L3102.2202-R	Roller	50	104,6	171,7	23,1		104,6	128,0	38,5	13,6	9,10	8,60	8,60	38,5
L3102.2203-R	Roller	25	104,6	120,7	23,1	38	104,6	128,0	38,5	13,6	9,10	8,60	8,60	38,5
L3102.2204-R	Roller	50	104,6	171,7	23,1	38	104,6	128,0	38,5	13,6	9,10	8,60	8,60	38,5
L3102.3201-R	Roller	25	130,0	130,0	23,1		130,0	153,4	38,5	13,6	12,05	11,47	11,47	38,5
L3102.3202-R	Roller	50	130,0	171,7	23,1		130,0	153,4	38,5	13,6	12,05	11,47	11,47	38,5
L3102.3203-R	Roller	25	130,0	130,0	23,1	51	130,0	153,4	38,5	13,6	12,05	11,47	11,47	38,5
L3102.3204-R	Roller	50	130,0	171,7	23,1	51	130,0	153,4	38,5	13,6	12,05	11,47	11,47	38,5



Side Micrometer Stages

further fixing holes detail

Manual Positioning Stages



L3102.FH

MANUAL POSITIONING STAGES

Material

Aluminium carriage and base, black anodised steel fixing, hardened steel shafts and balls and roller elements

Technical Notes

For main dimensions and load ratings

please see product page then refer to this information for detailed hole fixing data. These tables simply show additional mounting and fixing hole information. Dimensions l_7 and w_7 relate to optional posilock device.

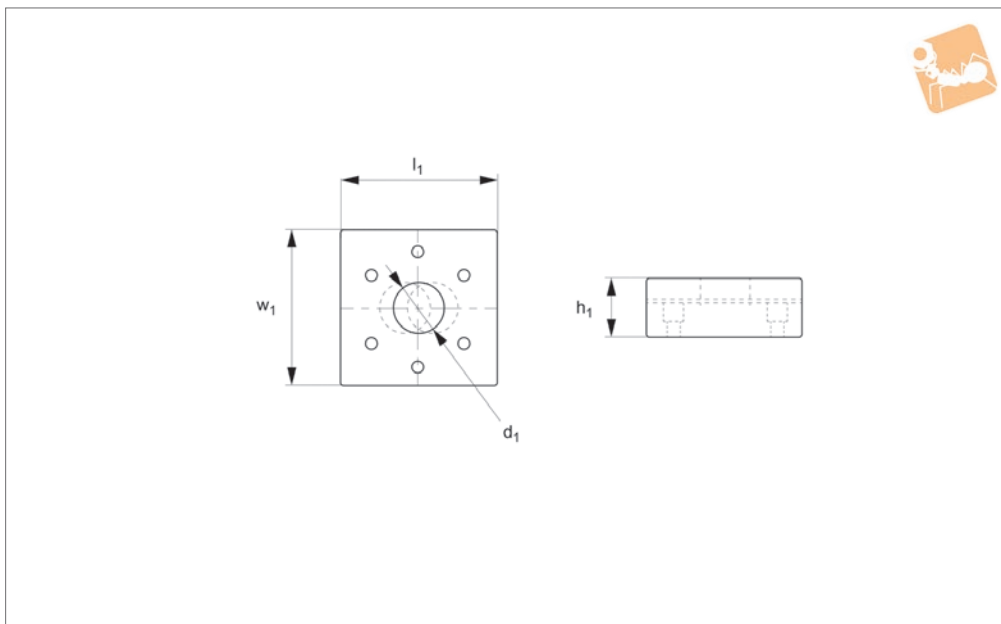
Important Notes

Stroke is centred on the mid-point of the slides (ie 50% of total stroke each way). **3D CAD available.**

Order No.	l_3	l_4	l_5	l_6	l_7	d_2	d_3 for	w_2	w_3	w_4	w_5	w_6	w_7
L3102.0099-X	13.5	14.3	7.9	-	-	M2	M2	13.5	7.9	-	-	14.3	-
L3102.0101-X	25.4	25.4	17.5	15.5	15.5	M2	M2	25.4	12.7	-	23.9	17.5	5.7
L3102.0201-X	38.1	38.1	30.2	15.5	15.5	M2	M2	38.1	25.4	-	36.6	30.2	5.7
L3102.0301-X	30.1	30.1	0.0	16.0	16.0	M3	M3	0.0	30.1	-	22.2	-	6.1
L3102.0450-X	33.3	25.4	-	25.6	25.6	M4	M4	25.4	-	-	22.2	-	6.1
L3102.0451-X	33.3	25.4	0.0	25.6	25.6	M4	M4	25.4	16.7	-	22.2	-	6.1
L3102.0453-X	33.3	25.4	-	25.6	25.6	M5	M5	25.4	16.7	-	38.1	-	6.1
L3102.0750-X	50.8	?	?	26.1	26.1	M5	M5	50.8	35.9	-	38.1	-	6.1
L3102.0751-X	50.8	?	?	38.2	38.2	M5	M5	50.8	35.9	-	38.1	-	6.1
L3102.0753-X	50.8	?	?	38.2	38.2	M5	M5	50.8	35.9	-	38.1	-	6.1
L3102.0401-X	41.1	25.4	-	25.6	25.6	M4	M4	22.2	-	-	22.2	-	6.4
L3102.0501-X	69.9	56.0	28.0	25.6	25.6	M4	M4	22.2	-	-	22.2	-	6.4
L3102.0502-X	69.9	56.0	28.0	38.2	38.2	M4	M4	22.2	-	-	22.2	-	6.4
L3102.0701-X	85.9	50.8	-	26.1	26.1	M5	M5	31.8	-	-	38.1	-	6.4
L3102.0702-X	85.9	50.8	-	38.2	38.2	M5	M5	31.8	-	-	38.1	-	6.4
L3102.1201-X	66.7	54.0	31.5	44.5	44.5	M5	M5	66.7	54.0	31.5	-	-	5.9
L3102.1203-X	66.7	54.0	31.5	44.5	55.6	M5	M5	66.7	54.0	31.5	-	-	5.9
L3102.2201-X	92.1	79.4	31.5	55.6	69.9	M5	M5	92.1	79.4	31.5	-	-	5.9
L3102.2202-X	92.1	79.4	31.5	55.6	69.9	M5	M5	92.1	79.4	31.5	-	-	5.9
L3102.2203-X	92.1	79.4	31.5	55.6	69.9	M5	M5	92.1	79.4	31.5	-	-	5.9
L3102.2204-X	92.1	79.4	31.5	55.6	69.9	M5	M5	92.1	79.4	31.5	-	-	5.9
L3102.3201-X	117.5	104.8	31.5	69.9	69.9	M5	M5	117.5	104.8	31.5	-	-	5.9
L3102.3202-X	117.5	104.8	31.5	69.9	69.9	M5	M5	117.5	104.8	31.5	-	-	5.9
L3102.3203-X	117.5	104.8	31.5	69.9	69.9	M5	M5	117.5	104.8	31.5	-	-	5.9
L3102.3204-X	117.5	104.8	31.5	69.9	69.9	M5	M5	117.5	104.8	31.5	-	-	5.9



L3103



Material

Aluminium carriage and base, black anodised steel fixing, hardened steel shafts and balls and roller elements

Technical Notes

Ball roller versions recommended for light loads. Cross roller versions for heavier loads and moment loads.

Straight line accuracy $12\mu/25\text{mm}$ travel.

Repeatability 3μ .

These plain units are supplied with no micrometers, no micrometer brackets and no springs.

For further fixing and mounting hole dimensions please see part number L3100.FH.

Tips

-PL after part shows option with posi-lock feature.

Important Notes

Stroke is centred on the mid-point of the slides (ie 50% of total stroke each way).

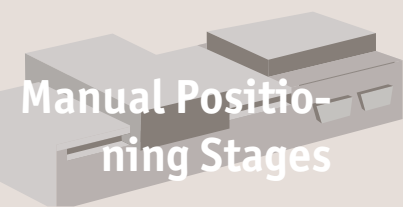
3D CAD available.

Order No.	Type	Travel	l_1	h_1	Through hole d_1	w_1	Load X & XY kg max.	X moment load Nm max.	Y moment load Nm max.	Z moment load Nm max.	Weight kg
L3103.0101-B	Ball	13	31.8	9.7	-	31.8	1.8	-	-	-	1.8
L3103.0201-B	Ball	13	44.5	9.7	-	44.5	1.8	-	-	-	1.8
L3103.0301-B	Ball	13	38.1	15.7	8	38.1	5.4	0.50	0.68	0.71	5.4
L3103.0451-B	Ball	25	44.5	19.1	-	44.5	9.1	0.96	1.13	1.19	9.1
L3103.0452-B	Ball	25	44.5	19.1	13	44.5	9.1	0.96	1.13	1.19	9.1
L3103.0751-B	Ball	25	66.5	25.4	-	66.5	27.2	4.94	5.75	6.04	27.2
L3103.0752-B	Ball	25	66.5	25.4	25	66.5	27.2	4.94	5.75	6.04	27.2
L3103.1202-B	Ball	50	79.2	23.1	-	79.2	13.6	2.89	1.95	2.05	13.6
L3103.1204-B	Ball	50	79.2	23.1	25	79.2	13.6	2.89	1.95	2.05	13.6
L3103.2205-B	Ball	75	104.6	23.1	-	104.6	13.6	4.80	3.04	3.21	13.6
L3103.2206-B	Ball	75	104.6	23.1	38	104.6	13.6	4.80	3.04	3.21	13.6
L3103.3205-B	Ball	100	130.2	23.1	-	130.2	13.6	4.80	3.04	3.21	13.6
L3103.3206-B	Ball	100	130.2	23.1	51	130.2	13.6	7.11	4.05	4.25	13.6
L3103.1202-B-PL	Ball	50	79.2	23.1	-	79.2	13.6	2.89	1.95	2.05	13.6
L3103.1204-B-PL	Ball	50	79.2	23.1	25	79.2	13.6	2.89	1.95	2.05	13.6
L3103.2205-B-PL	Ball	75	104.6	23.1	-	104.6	13.6	4.80	3.04	3.21	13.6
L3103.2206-B-PL	Ball	75	104.6	23.1	38	104.6	13.6	4.80	3.04	3.21	13.6
L3103.3205-B-PL	Ball	100	130.2	23.1	-	130.2	13.6	4.80	3.04	3.21	13.6
L3103.3206-B-PL	Ball	100	130.2	23.1	51	130.2	13.6	7.11	4.05	4.25	13.6
L3103.0101-R	Roller	13	31.8	9.7	-	31.8	10.4	-	-	-	10.4
L3103.0201-R	Roller	13	44.5	9.7	-	44.5	10.4	-	-	-	10.4
L3103.0301-R	Roller	13	38.1	15.7	8	38.1	18.1	1.67	2.26	2.37	18.1
L3103.0451-R	Roller	25	44.5	19.1	-	44.5	18.1	1.92	2.26	2.37	18.1
L3103.0452-R	Roller	25	44.5	19.1	13	44.5	18.1	1.92	2.26	2.37	18.1
L3103.0751-R	Roller	25	66.5	25.4	-	66.5	54.4	9.88	11.50	12.07	54.4
L3103.0752-R	Roller	25	66.5	25.4	25	66.5	54.4	9.88	11.50	12.07	54.4
L3103.1202-R	Roller	50	79.2	23.1	-	79.2	38.5	8.19	5.53	5.81	38.5
L3103.1204-R	Roller	50	79.2	23.1	25	79.2	38.5	8.19	5.53	5.81	38.5



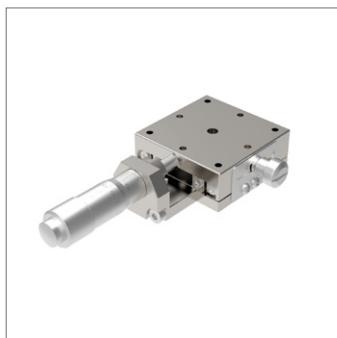
Positioning Stages - Plain

X Stage, main dimensions

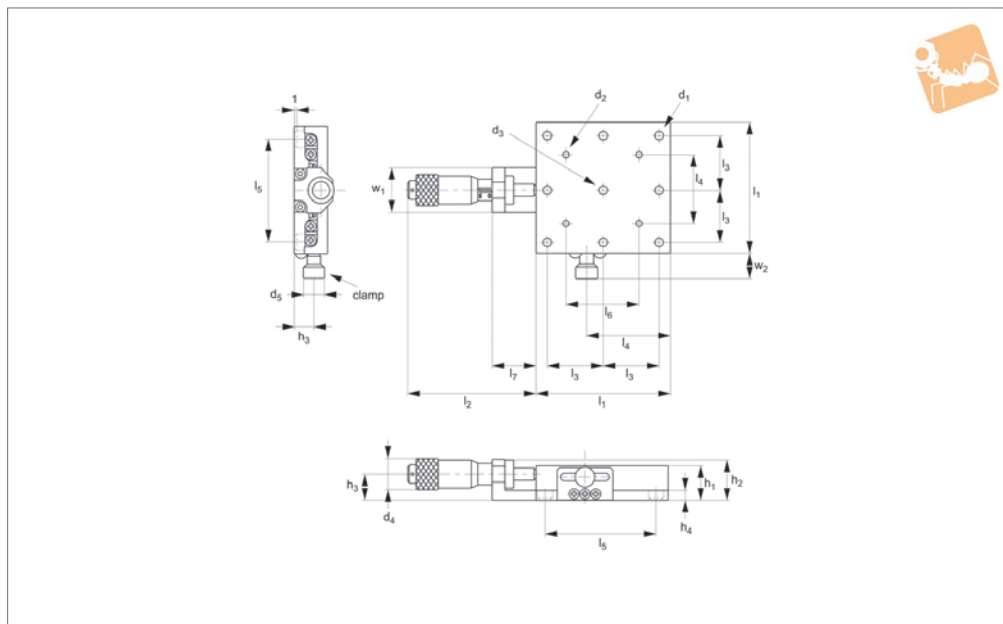


Manual Positioning Stages

Order No.	Type	Travel	l_1	h_1	Through hole d_1	w_1	Load X & XY kg max.	X moment load Nm max.	Y moment load Nm max.	Z moment load Nm max.	Weight kg
L3103.2205-R	Roller	75	104.6	23.1	-	104.6	38.5	13.60	8.60	9.10	38.5
L3103.2206-R	Roller	75	104.6	23.1	38	104.6	38.5	13.60	8.60	9.10	38.5
L3103.3205-R	Roller	100	130.2	23.1	-	130.2	38.5	13.60	8.60	9.10	38.5
L3103.3206-R	Roller	100	130.2	23.1	51	130.2	38.5	20.15	11.47	12.05	38.5
L3103.1202-R-PL	Roller	50	79.2	23.1	-	79.2	38.5	8.19	5.53	5.81	38.5
L3103.1204-R-PL	Roller	50	79.2	23.1	25	79.2	38.5	8.19	5.53	5.81	38.5
L3103.2205-R-PL	Roller	75	104.6	23.1	-	104.6	38.5	13.60	8.60	9.10	38.5
L3103.2206-R-PL	Roller	75	104.6	23.1	38	104.6	38.5	13.60	8.60	9.10	38.5
L3103.3205-R-PL	Roller	100	130.2	23.1	-	130.2	38.5	13.60	8.60	9.10	38.5
L3103.3206-R-PL	Roller	100	130.2	23.1	51	130.2	38.5	20.15	11.47	12.05	38.5



L3120



Material

Stainless steel (440C) with electroless nickel plating.

Technical Notes

Straightness accuracy 5µ.

Spring loaded micrometer allows precise repeatable adjustments with low friction and zero backlash.

Micrometer increments 0,01mm.

Important Notes

Stroke is centred on the mid-point of the slides (ie 50% of total stroke each way).

3D CAD available.

Order No.	Travel	l_1	l_2	l_3	l_4	l_5	l_6	l_7	h_1	h_2	h_3
L3120.040	13	40	58.5	16	26	32	-	20.5	16.0	19.0	10.5
L3120.060	13	60	58.5	25	36	50	32	20.5	16.0	19.0	10.5
L3120.080	25	80	80.0	35	55	70	50	24.5	20.0	24.3	16.8
L3120.100	25	100	80.0	45	67.5	90	70	24.5	20.0	24.3	16.8

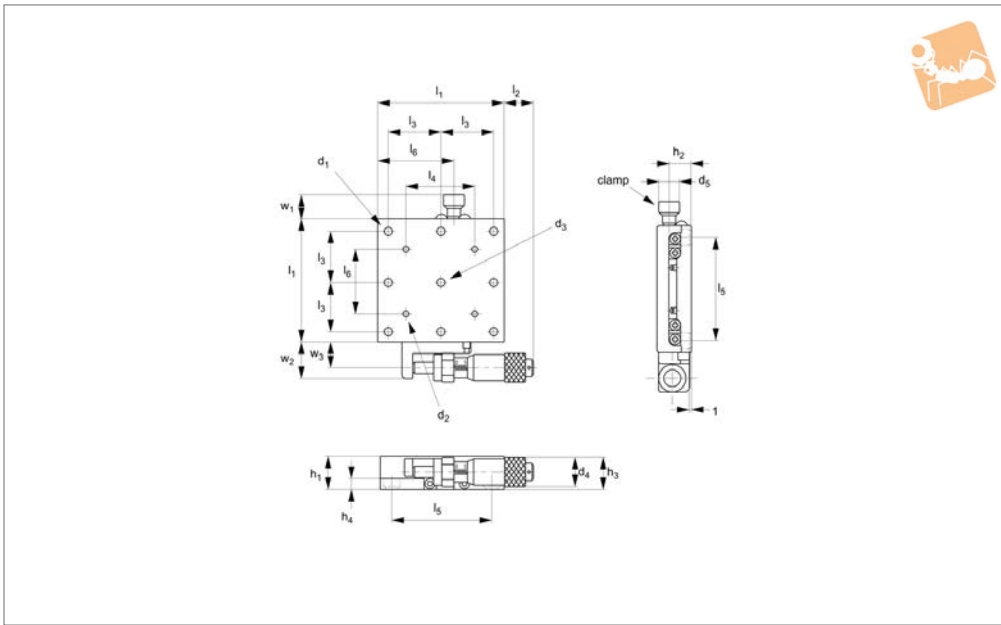
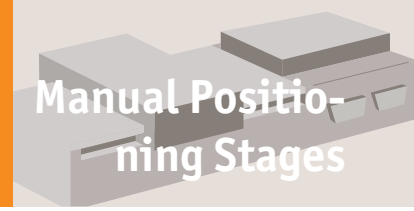
Order No.	h_4	d_1	d_2	d_3	d_4	d_5	w_1	w_2	Load kg max.
L3120.040	4.5	M3	-	4	13	10	20	11.5	10.0
L3120.060	5.0	M4	M3	4	13	10	20	11.5	20.0
L3120.080	6.5	M4	M4	4	13	10	24	11.2	27.0
L3120.100	6.5	M4	M4	4	13	10	24	11.2	35.0



Stainless Micrometer X Stages

side drive

Manual Positioning Stages



L3122

MANUAL POSITIONING STAGES

Material

Stainless steel (440C) with electroless nickel plating.

Technical Notes

Straightness accuracy 5µ.

Spring loaded micrometer allows precise repeatable adjustments with low friction and zero backlash.

Micrometer increments 0,01mm.

Important Notes

Stroke is centred on the mid-point of the slides (ie 50% of total stroke each way).

3D CAD available.

Order No.	Travel	l_1	l_2	l_3	l_4	l_5	l_6	h_1	h_2	h_3	h_4
L3122.040	13	40	23.7	16	-	32	26	16.0	10.5	9	4.5
L3122.060	13	60	13.8	25	32	50	36	16.0	10.5	9	5.0
L3122.080	25	80	32.5	25	50	70	55	20.0	14.5	10.8	6.5
L3122.100	25	100	17.5	25	70	90	67.5	20.0	14.5	10.8	6.5

Order No.	d_1	d_2	d_3	d_4	d_5	w_1	w_2	Load kg max.
L3122.040	M3	-	4	13	10	18.5	12	10.0
L3122.060	M4	M3	4	13	10	18.5	12	20.0
L3122.080	M4	M4	4	13	10	23.5	17	27.0
L3122.100	M4	M4	4	13	10	23.5	17	35.0