

P2080

ANTI-VIBRATION COMPONENTS

Material

Rubber on silver zinc plated steel.

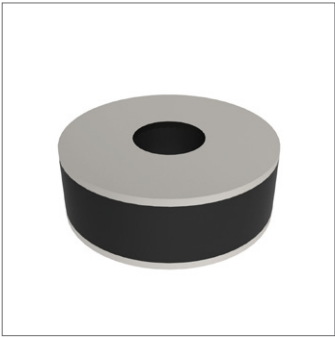
withstand under compression.

Used where axial and radial loads are present. For frequencies higher than 20Hz.

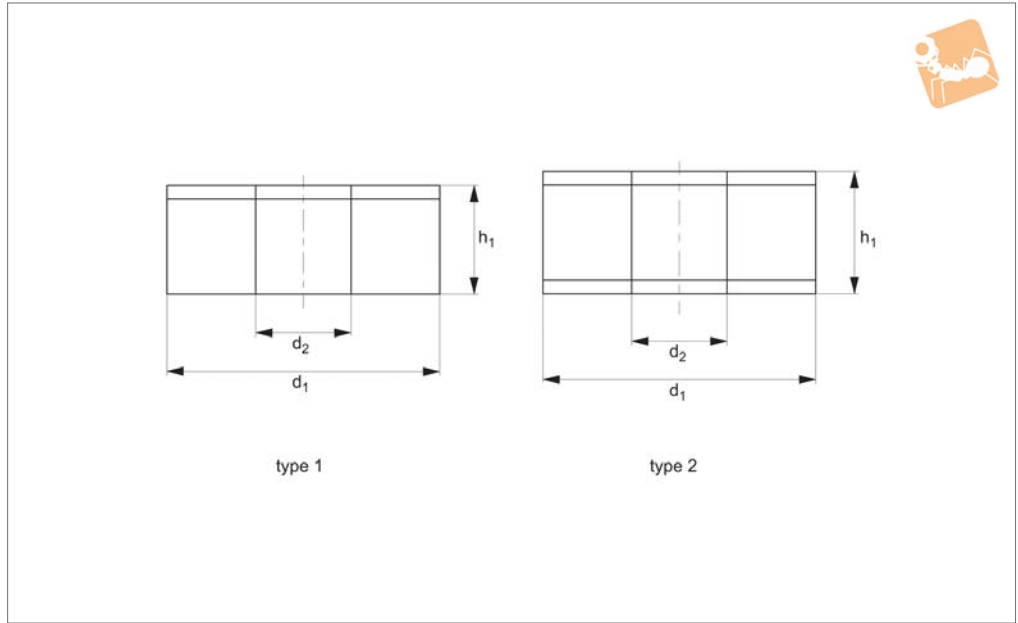
Technical Notes

Static load relates to the load the unit can

Order No.	d_1	d_2	d_3	d_4	h_1	h_2	h_3	Static load N max.
P2080.036	36	8.5	18	12	14	10	4	100
P2080.037	36	16.5	20	16.5	11.5	8.5	3	120
P2080.050	50	16.5	23	20	22	13.5	8.5	150
P2080.051	50	28	34	28	18	10.5	7.5	100
P2080.055	55	24	31	28	15	11.5	3.5	175
P2080.060	60	20.5	27	24	22	13	9	240
P2080.075	75	24.5	33	29.5	27	20	8	300



P2081



Material

Rubber on silver zinc plated steel.

withstand under compression. Used where axial and radial loads are present.

Technical Notes

Static load relates to the load the unit can

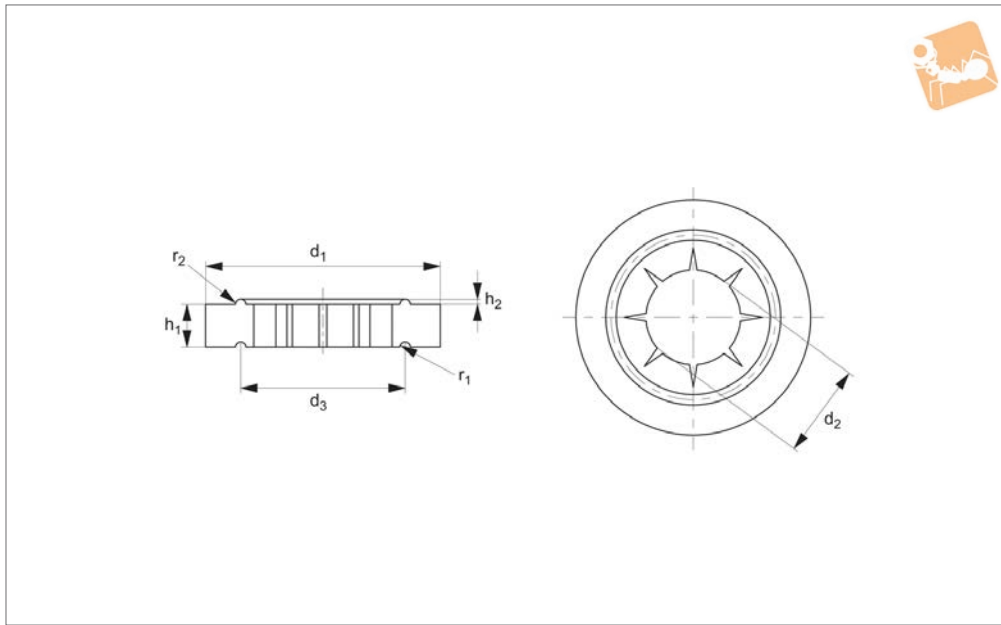
For frequencies higher than 20Hz.

Order No.	Type	d ₁	d ₂	h ₁
P2081.040	Type 1	40	12	20
P2081.041	Type 1	40	14	15
P2081.050	Type 1	50	16	20
P2081.060	Type 1	60	22	30
P2081.075	Type 1	75	25	25
P2081.100	Type 1	100	32	60
P2081.550	Type 2	50	15	30
P2081.560	Type 2	60	20	30
P2081.570	Type 2	70	20	30
P2081.600	Type 2	100	41	35



Anti-vibration Rings internal star design

Anti-Vibration Components



P2082

ANTI-VIBRATION COMPONENTS

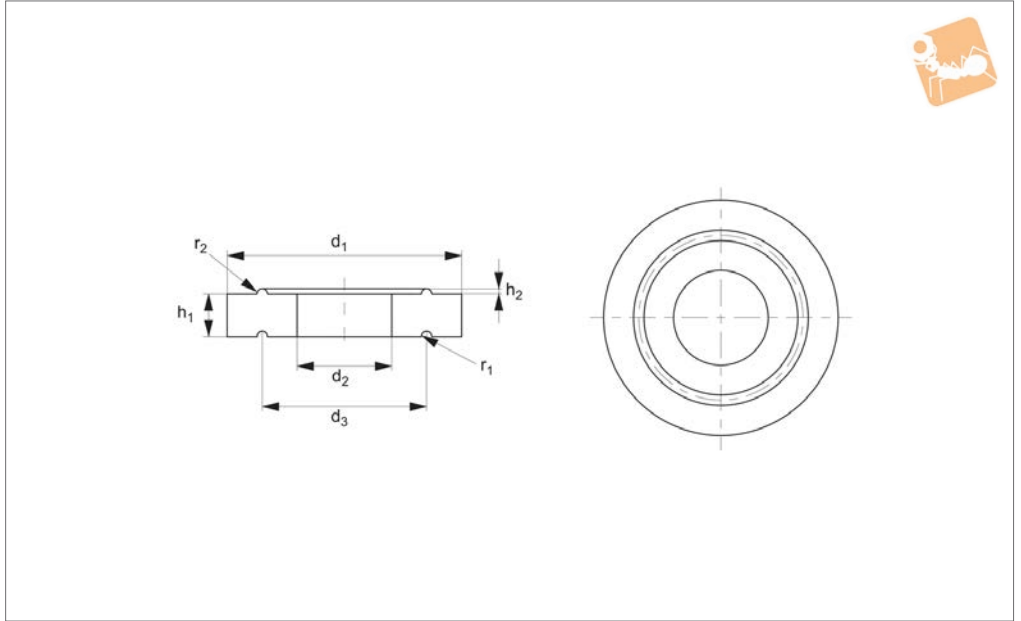
Material

Rubber on silver zinc plated steel (rubber hardness - 65 Shore A).

Order No.	d ₁	d ₂	d ₃	h ₁	h ₂	r ₁	r ₂	Compression max.	Axial load kgf max.
P2082.162	162	66	114	30	2.5	4.5	2.5	5	2000
P2082.170	170	95	125	23	2.5	5	2.5	4	2000
P2082.210	210	88	164	24	2	4	2	4.5	6000



P2083



Material

Rubber (hardness 70 Shore A).

Order No.	d ₁	d ₂	d ₃	h ₁	h ₂	r ₁	r ₂	Compression max.	Axial load kgf max.
P2083.070	70	30	50	14	2	7	4	2	200
P2083.072	72	32	52	23	2	2	2	7	400
P2083.073	72	32	52	23	2	2	2	8.5	900
P2083.076	76	37	58	12.5	3.5	2.5	2.5	2	550
P2083.114	114	66	90	15	3	3	3	3.2	500
P2083.115	114	66	90	15	3	3	3	5	1500
P2083.116	116	52	84	23.5	2.5	3.5	2.5	3.5	800
P2083.117	116	52	84	23.5	2.5	3.5	2.5	3.5	1000
P2083.120	120	50	85	27.5	2.5	2.5	2.5	3.5	1000
P2083.174	174	126	150	15	3	3	3	2	2000
P2083.192	192	55	122	31	3	4	3	3.1	4340
P2083.207	207	108	160	28	2	4	4	2.5	3000