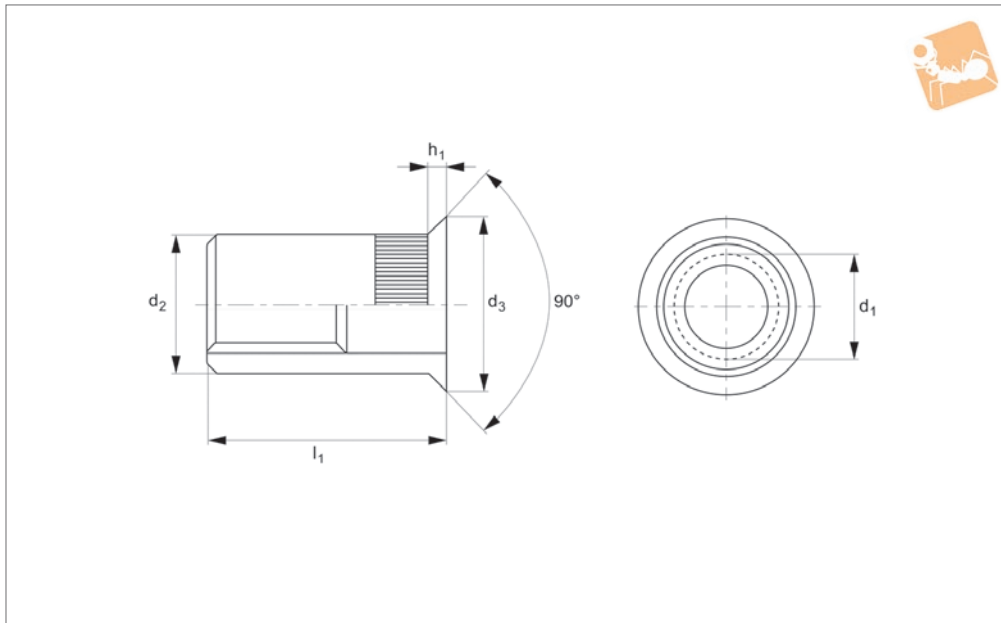




# Countersunk Insert Nuts

Steel, zinc-plated

## Insert Nuts



**P0821.ZP**

INSERT NUTS

### Material

Steel, zinc-plated.

### Technical Notes

Knurled body type.

The countersunk head is a stronger type of

head and will ensure a flush finish in a countersunk hole. The knurled body provides extra turning resistance.

### Tips

Also known as blind rivet nuts or grip nuts.

### Important Notes

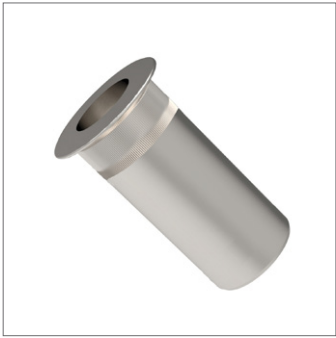
Lip Height:

M3-M8: 0<1.5

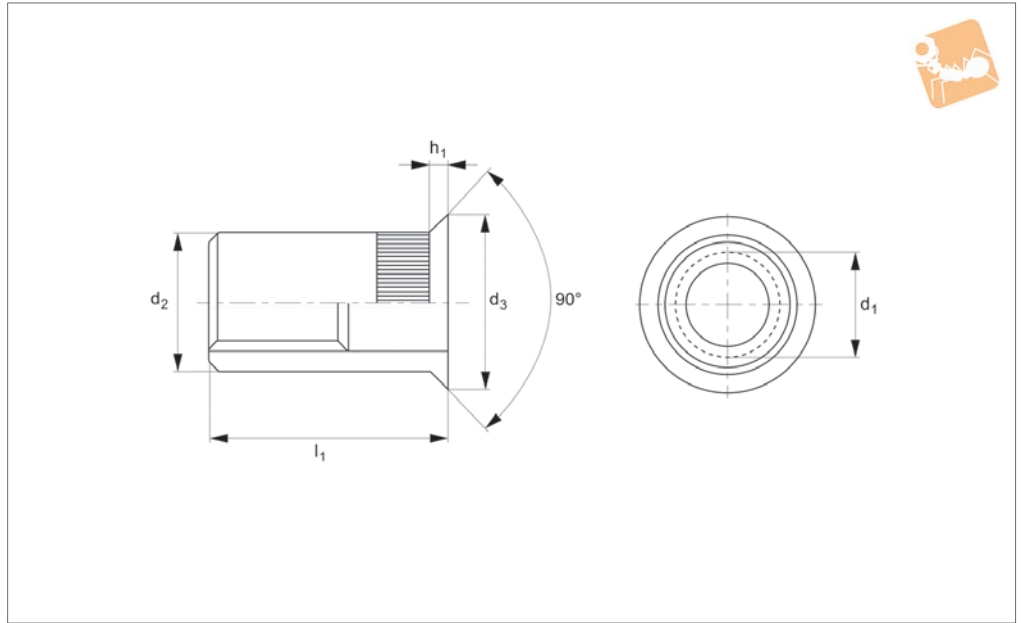
M10: 1.5<1.7

M12: 1.7<1.9

| Order No.        | d <sub>1</sub> | Grip range | d <sub>2</sub><br>+0 -0.2 | d <sub>3</sub> | h <sub>1</sub> | l <sub>1</sub> |
|------------------|----------------|------------|---------------------------|----------------|----------------|----------------|
| P0821.030-035-ZP | M 3            | 1,5-3,5    | 4.9                       | 7.5            | 1.5            | 11.5           |
| P0821.030-050-ZP | M 3            | 3,5-5,0    | 4.9                       | 7.5            | 1.5            | 12.5           |
| P0821.040-035-ZP | M 4            | 1,5-3,5    | 5.9                       | 8.5            | 1.5            | 12.0           |
| P0821.040-065-ZP | M 4            | 3,5-6,5    | 5.9                       | 8.5            | 1.5            | 15.0           |
| P0821.050-040-ZP | M 5            | 1,5-4,0    | 6.9                       | 9.5            | 1.5            | 13.0           |
| P0821.050-065-ZP | M 5            | 4,0-6,5    | 6.9                       | 9.5            | 1.5            | 16.0           |
| P0821.050-090-ZP | M 5            | 6,5-9,0    | 6.9                       | 9.5            | 1.5            | 18.5           |
| P0821.060-040-ZP | M 6            | 1,5-4,0    | 8.9                       | 11.5           | 1.5            | 15.5           |
| P0821.060-065-ZP | M 6            | 4,0-6,5    | 8.9                       | 11.5           | 1.5            | 18.0           |
| P0821.060-090-ZP | M 6            | 6,5-9,0    | 8.9                       | 11.5           | 1.5            | 20.5           |
| P0821.080-045-ZP | M 8            | 1,7-4,5    | 10.9                      | 13.5           | 1.5            | 18.5           |
| P0821.080-065-ZP | M 8            | 4,0-6,5    | 10.9                      | 13.5           | 1.5            | 21.0           |
| P0821.080-090-ZP | M 8            | 6,5-9,0    | 10.9                      | 13.5           | 1.5            | 23.5           |
| P0821.100-045-ZP | M10            | 2,0-4,5    | 11.9                      | 14.5           | 1.7            | 21.0           |
| P0821.100-075-ZP | M10            | 4,5-7,5    | 11.9                      | 14.5           | 1.7            | 24.0           |
| P0821.100-105-ZP | M10            | 7,5-10,5   | 11.9                      | 14.5           | 1.7            | 27.0           |
| P0821.120-045-ZP | M12            | 2,0-4,5    | 15.9                      | 19.0           | 1.9            | 24.5           |
| P0821.120-075-ZP | M12            | 4,5-7,5    | 15.9                      | 19.0           | 1.9            | 27.5           |
| P0821.120-105-ZP | M12            | 7,5-10,5   | 15.9                      | 19.0           | 1.9            | 31.0           |



**P0821.A2**



**Material**

Stainless steel (A2, AISI 303).

**Technical Notes**

Knurled body type, plain available on request.

The countersunk head is a stronger type of

head and will ensure a flush finish in a countersunk hole. The knurled body provides extra turning resistance.

**Tips**

Also known as blind rivet nuts or grip nuts.

**Important Notes**

Lip Height:

M3-M8: 0<1.5

M10: 1.5<1.7

M12: 1.7<1.9

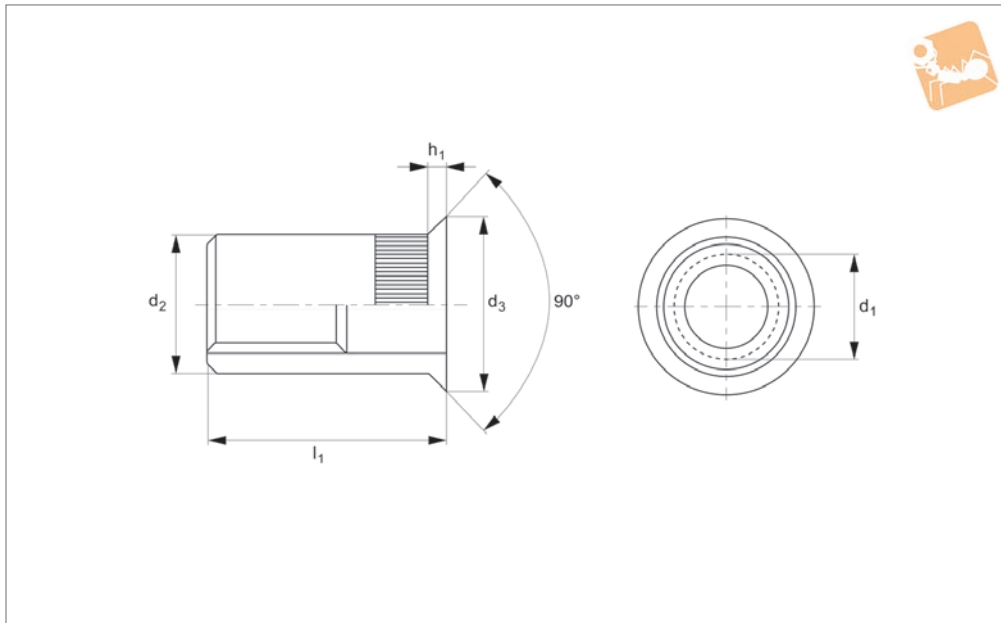
| Order No.        | d <sub>1</sub> | Grip range | d <sub>2</sub><br>+0 -0.2 | d <sub>3</sub> | h <sub>1</sub> | l <sub>1</sub> |
|------------------|----------------|------------|---------------------------|----------------|----------------|----------------|
| P0821.030-035-A2 | M 3            | 1,5-3,5    | 4.9                       | 7.5            | 1.5            | 11.5           |
| P0821.040-040-A2 | M 4            | 1,5-4,0    | 5.9                       | 8.5            | 1.5            | 12.5           |
| P0821.050-040-A2 | M 5            | 1,5-4,0    | 6.9                       | 9.5            | 1.5            | 13.5           |
| P0821.050-065-A2 | M 5            | 4,0-6,5    | 6.9                       | 9.5            | 1.5            | 16.0           |
| P0821.060-045-A2 | M 6            | 1,5-4,5    | 8.9                       | 11.5           | 1.5            | 16.0           |
| P0821.060-065-A2 | M 6            | 4,0-6,5    | 8.9                       | 11.5           | 1.5            | 18.0           |
| P0821.080-040-A2 | M 8            | 1,5-4,0    | 10.9                      | 13.5           | 1.5            | 18.0           |
| P0821.080-065-A2 | M 8            | 4,0-6,5    | 10.9                      | 13.5           | 1.5            | 21.0           |
| P0821.100-045-A2 | M10            | 2,0-4,5    | 12.9                      | 15.5           | 1.8            | 21.0           |
| P0821.100-075-A2 | M10            | 4,5-7,5    | 12.9                      | 15.5           | 1.8            | 24.0           |
| P0821.120-045-A2 | M12            | 2,0-4,5    | 15.9                      | 19.0           | 2.0            | 24.5           |
| P0821.120-075-A2 | M12            | 4,5-7,5    | 15.9                      | 19.0           | 2.0            | 27.5           |



# Countersunk Insert Nuts

## Aluminium

### Insert Nuts



**P0821.AL**

INSERT NUTS

**Material**  
Aluminium.

**Technical Notes**  
Knurled body type, plain available on request.  
The countersunk head is a stronger type of

head and will ensure a flush finish in a countersunk hole. The knurled body provides extra turning resistance.

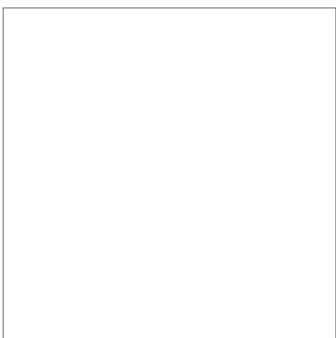
**Tips**  
Also known as blind rivet nuts or grip nuts.

**Important Notes**  
Lip Height:  
M3-M8: 0<1.5  
M10: 1.5<1.7  
M12: 1.7<1.9

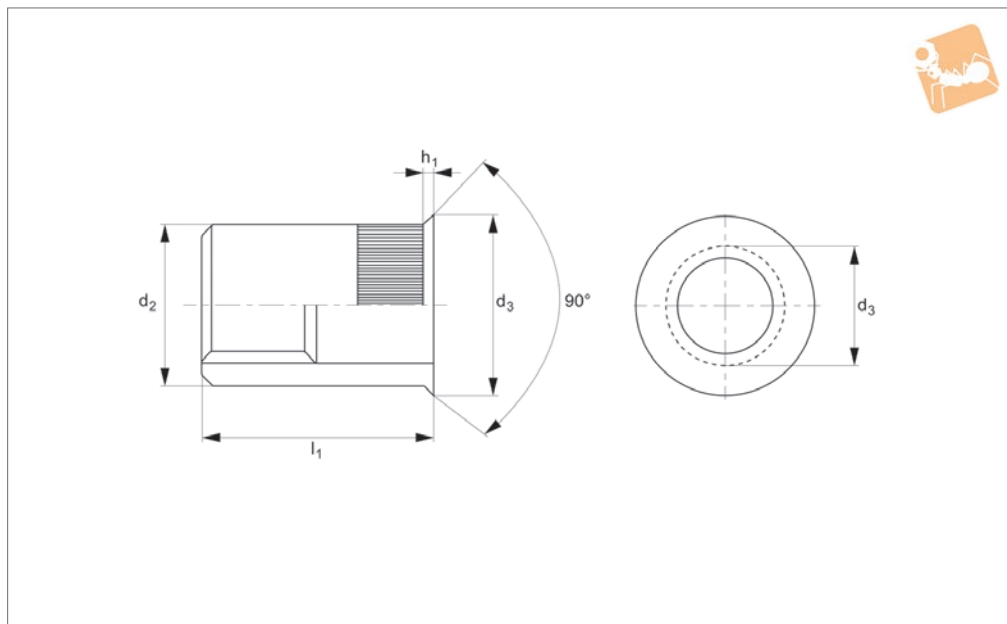
| Order No.        | d <sub>1</sub> | Grip range | d <sub>2</sub><br>+0 -0.2 | d <sub>3</sub> | h <sub>1</sub> | l <sub>1</sub> |
|------------------|----------------|------------|---------------------------|----------------|----------------|----------------|
| P0821.030-035-AL | M 3            | 1,5-3,5    | 4.9                       | 7.5            | 1.5            | 11.5           |
| P0821.030-045-AL | M 3            | 3,5-4,5    | 4.9                       | 7.5            | 1.5            | 12.5           |
| P0821.040-040-AL | M 4            | 1,5-4,0    | 5.9                       | 8.5            | 1.5            | 12.5           |
| P0821.040-055-AL | M 4            | 4,0-5,5    | 5.9                       | 8.5            | 1.5            | 15.0           |
| P0821.050-040-AL | M 5            | 1,5-4,0    | 6.9                       | 9.5            | 1.5            | 13.5           |
| P0821.050-065-AL | M 5            | 4,0-6,5    | 6.9                       | 9.5            | 1.5            | 16.0           |
| P0821.050-090-AL | M 5            | 6,5-9,0    | 6.9                       | 9.5            | 1.5            | 18.5           |
| P0821.060-040-AL | M 6            | 1,5-4,0    | 8.9                       | 11.5           | 1.5            | 15.5           |
| P0821.060-065-AL | M 6            | 4,0-6,5    | 8.9                       | 11.5           | 1.5            | 18.0           |
| P0821.060-090-AL | M 6            | 6,5-9,0    | 8.9                       | 11.5           | 1.5            | 20.5           |
| P0821.080-040-AL | M 8            | 1,5-4,0    | 10.9                      | 13.5           | 1.5            | 18.5           |
| P0821.080-065-AL | M 8            | 4,0-6,5    | 10.9                      | 13.5           | 1.5            | 21.0           |
| P0821.080-090-AL | M 8            | 6,5-9,0    | 10.9                      | 13.5           | 1.5            | 23.5           |
| P0821.100-045-AL | M10            | 2,0-4,5    | 11.9                      | 14.5           | 1.7            | 21.0           |
| P0821.100-075-AL | M10            | 4,5-7,5    | 11.9                      | 14.5           | 1.7            | 24.0           |
| P0821.100-105-AL | M10            | 7,5-10,5   | 11.9                      | 14.5           | 1.7            | 27.0           |
| P0821.120-045-AL | M12            | 2,0-4,5    | 15.9                      | 19.0           | 1.9            | 24.5           |
| P0821.120-075-AL | M12            | 4,5-7,5    | 15.9                      | 19.0           | 1.9            | 27.5           |
| P0821.120-105-AL | M12            | 7,5-10,5   | 15.9                      | 19.0           | 1.9            | 31.0           |



INSERT NUTS



**P0824.ZP**



**Material**

Steel, zinc-plated.

**Technical Notes**

Knurled body type, plain available on request.

Provides near flush installation in thin

materials.

The knurled body provides extra turning resistance.

**Tips**

Also known as blind rivet nuts or grip nuts.

**Important Notes**

Reduced height head.

M3-M8: 0<0.7

M10: 0.7<0.9

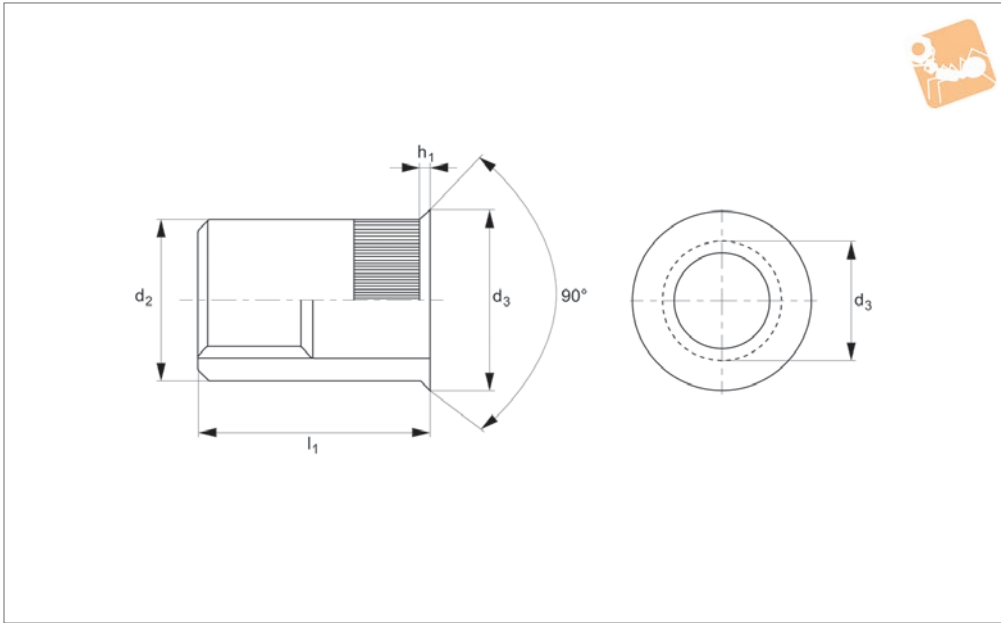
| Order No.         | d <sub>1</sub> | Grip range | d <sub>2</sub><br>+0 -0.2 | d <sub>3</sub> | h <sub>1</sub> | l <sub>1</sub> |
|-------------------|----------------|------------|---------------------------|----------------|----------------|----------------|
| P0824.030-020-ZP  | M 3            | 0,5-2,0    | 4.9                       | 6.0            | 0.5            | 9.0            |
| P0824.040-025-ZP  | M 4            | 0,5-2,5    | 5.9                       | 6.7            | 0.5            | 11.3           |
| P0824.040-040-ZP  | M 4            | 2,0-4,0    | 5.9                       | 7.0            | 0.5            | 13.0           |
| P0824.050-030-ZP  | M 5            | 0,5-3,0    | 6.9                       | 8.0            | 0.5            | 12.0           |
| P0824.050-040-ZP  | M 5            | 2,0-4,0    | 6.9                       | 8.0            | 0.5            | 13.0           |
| P0824.060-030-ZP  | M 6            | 0,5-3,0    | 8.9                       | 10.0           | 0.6            | 14.0           |
| P0824.060-045-ZP  | M 6            | 2,5-4,5    | 8.9                       | 10.0           | 0.6            | 16.0           |
| P0824.080-038-ZP  | M 8            | 0,5-3,8    | 10.9                      | 12.0           | 0.6            | 17.3           |
| P0824.080-050-ZP  | M 8            | 3,0-5,0    | 10.9                      | 12.0           | 0.6            | 18.5           |
| P0824.100-035-ZP  | M10            | 0,7-3,5    | 11.9                      | 13.0           | 0.7            | 20.0           |
| P0824.100-035A-ZP | M10            | 0,7-3,5    | 12.9                      | 14.0           | 0.8            | 21.0           |
| P0824.100-060-ZP  | M10            | 3,5-6,0    | 12.9                      | 14.0           | 0.8            | 22.0           |
| P0824.120-035-ZP  | M12            | 1,0-3,5    | 15.9                      | 17.0           | 1.0            | 24.2           |



# Reduced C'snk Head Insert Nuts

Reduced - A4 stainless

Insert Nuts



**P0824.A4**

INSERT NUTS

**Material**  
Stainless steel (A4, AISI 316).

Provides near flush installation in thin materials.

**Important Notes**  
Reduced height head.  
M3-M8:  $0 < 0.7$   
M10:  $0.7 < 0.9$

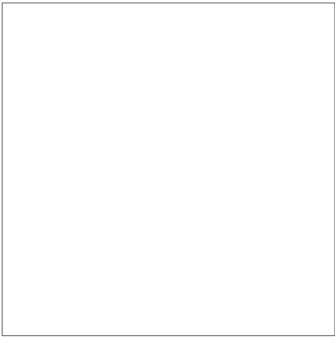
**Technical Notes**  
Plain body type.

**Tips**  
Also known as blind rivet nuts or grip nuts.

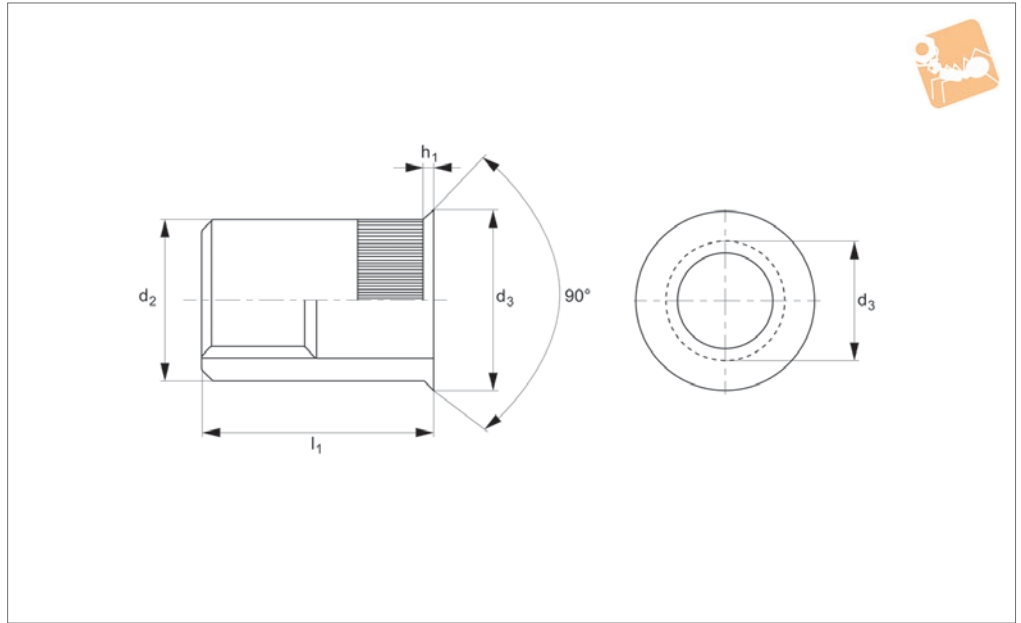
| Order No.        | $d_1$ | Grip range | $d_2$<br>$+0 -0.2$ | $d_3$ | $h_1$ | $l_1$ |
|------------------|-------|------------|--------------------|-------|-------|-------|
| P0824.040-020-A4 | M 4   | 0,5-2,0    | 6.0                | 6.5   | 0.5   | 11.0  |
| P0824.050-030-A4 | M 5   | 0,5-3,0    | 7.0                | 7.5   | 0.5   | 12.0  |
| P0824.060-030-A4 | M 6   | 0,5-3,0    | 9.0                | 9.50  | 0.5   | 14.5  |
| P0824.080-030-A4 | M 8   | 0,5-3,0    | 11.0               | 11.5  | 0.5   | 16.0  |



INSERT NUTS



**P0824.AL**



**Material**

Aluminium.

**Technical Notes**

Knurled body type, plain available on request.

Provides near flush installation in thin

materials.

The knurled body provides extra turning resistance.

**Tips**

Also known as blind rivet nuts or grip nuts.

**Important Notes**

Reduced height head.

M3-M8: 0<0.7

M10: 0.7<0.9

| Order No.        | d <sub>1</sub> | Grip range | d <sub>2</sub><br>+0 -0.2 | d <sub>3</sub> | h <sub>1</sub> | l <sub>1</sub> |
|------------------|----------------|------------|---------------------------|----------------|----------------|----------------|
| P0824.030-025-AL | M3             | 0,5-2,5    | 4.9                       | 6.0            | 0.6            | 9.5            |
| P0824.040-030-AL | M4             | 0,5-3,0    | 5.9                       | 7.0            | 0.6            | 10.0           |
| P0824.050-030-AL | M5             | 0,5-3,0    | 6.9                       | 8.0            | 0.6            | 11.5           |
| P0824.060-030-AL | M6             | 0,5-3,0    | 8.9                       | 10.0           | 0.6            | 14.0           |
| P0824.080-030-AL | M8             | 0,5-3,0    | 10.9                      | 12.0           | 0.6            | 15.5           |