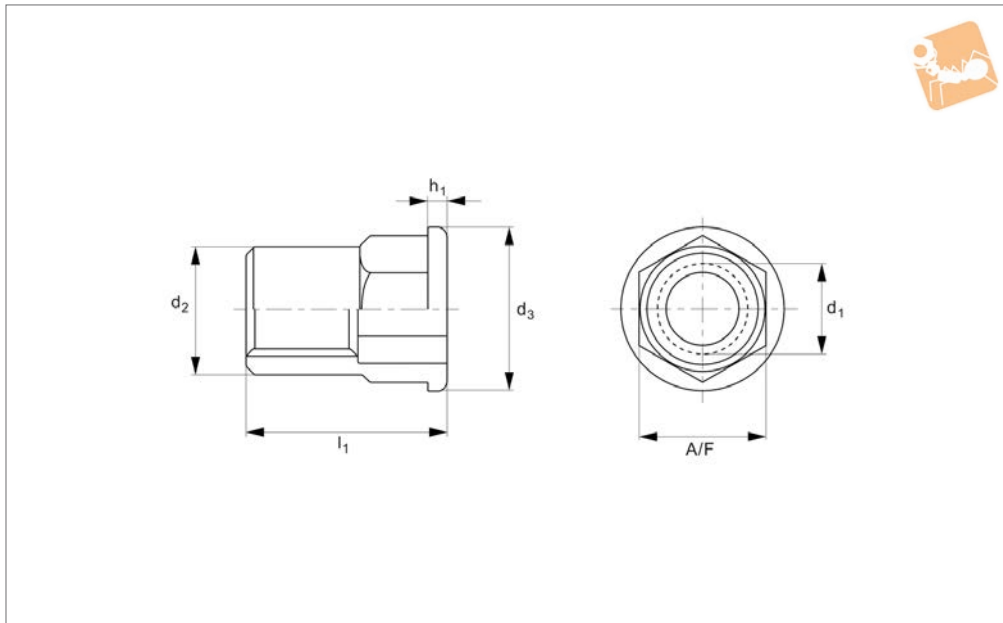




Flat Half Hex Insert Nuts

A2 stainless

Insert Nuts



P0823.A2

INSERT NUTS

Material

Stainless steel (A2, AISI 303).

Technical Notes

Plain body type.

Hexagon body insert nuts prevent the

problem of a nut turning after being installed. Flange head insert nuts are recommended for use in load bearing applications. The larger sized head acts as a reinforcement to the hole, provides resi-

stance to push-out and acts as a spacer.

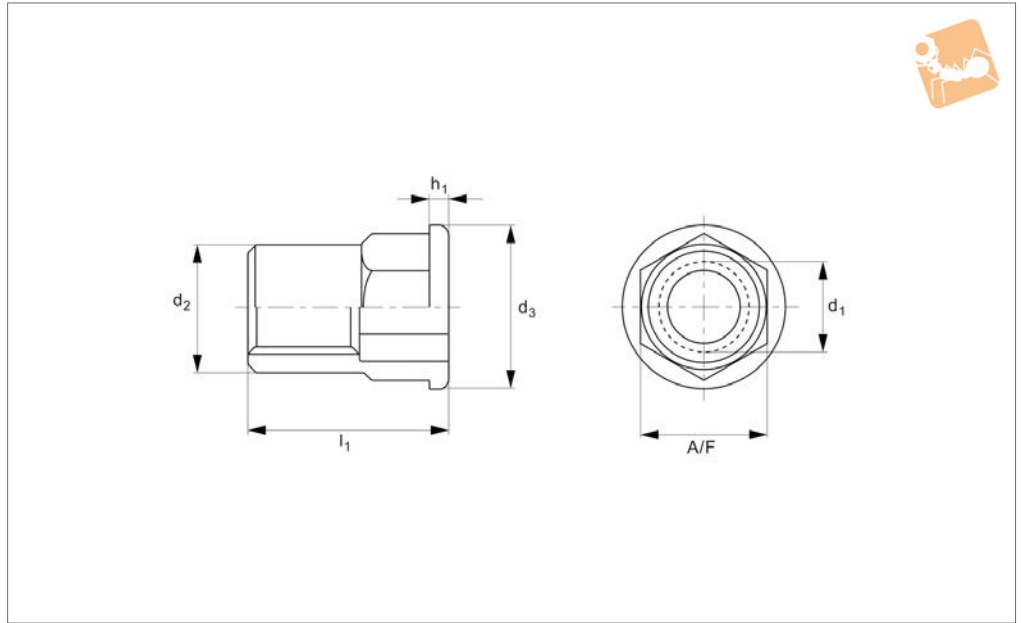
Tips

Also known as blind rivet nuts or grip nuts.

Order No.	d ₁	Grip range	A/F	d ₂	h ₁	l ₁
P0823.040-025-A2	M 4	0,5-2,5	6.0	9.0	1.0	11.5
P0823.050-030-A2	M 5	0,5-3,0	7.0	10.0	1.0	13.0
P0823.060-030-A2	M 6	0,5-3,0	9.0	12.0	1.5	15.5
P0823.080-030-A2	M 8	0,5-3,0	11.0	14.5	1.5	17.5
P0823.100-035-A2	M10	1,0-3,5	13.0	16.5	2.0	21.5



P0823.A4



Material

Stainless steel (A4, AISI 316).

Technical Notes

Plain body type.
Hexagon body insert nuts prevent the

problem of a nut turning after being installed. Flange head insert nuts are recommended for use in load bearing applications. The larger sized head acts as a reinforcement to the hole, provides resi-

stance to push-out and acts as a spacer.

Tips

Also known as blind rivet nuts or grip nuts.

Order No.	d ₁	Grip range	A/F	d ₂	h ₁	l ₁
P0823.040-025-A4	M4	0,5-2,5	6.0	9.0	1.0	12.0
P0823.050-030-A4	M5	0,5-3,0	7.0	10.0	1.0	12.5
P0823.060-030-A4	M6	0,5-3,0	9.0	12.0	1.5	16.0
P0823.080-030-A4	M8	0,5-3,0	11.0	15.0	1.5	17.5