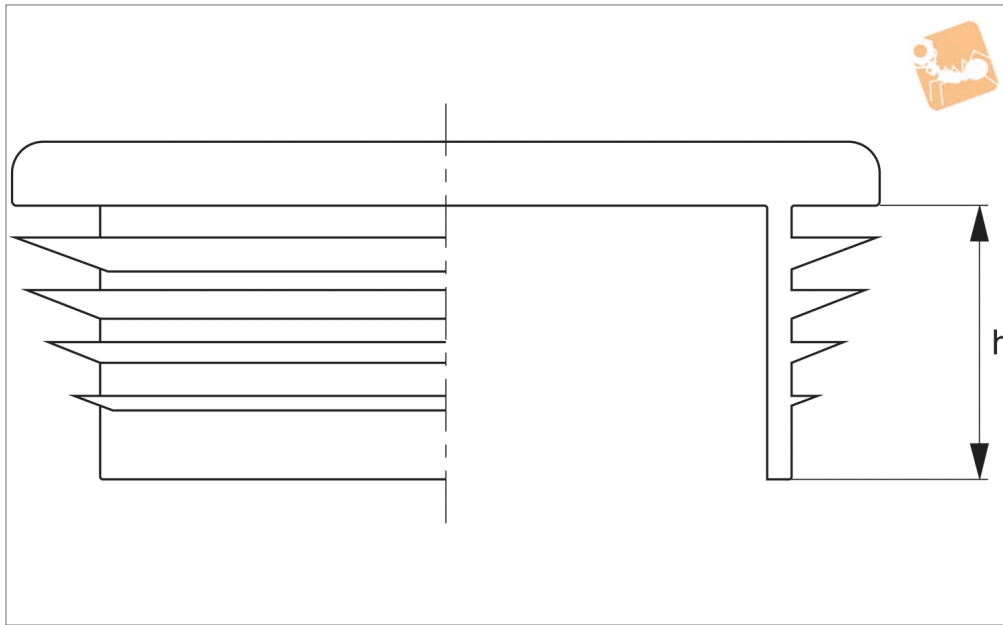




Insert ribbed - oval



P1982

OTHER MECHANICAL PARTS

Material

Low density polyethylene, black.

Important Notes

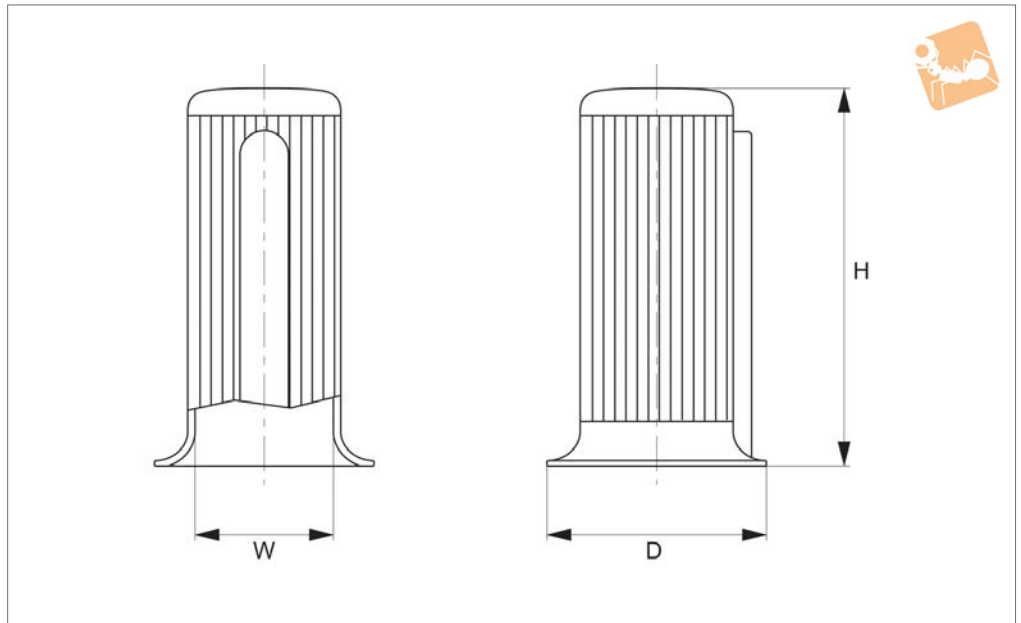
Sold subject to minimum pack quantity.

Technical Notes

Insert ribs provide secure fitting.



P1984



Material

Low density polyethylene, yellow.

Important Notes

Sold subject to minimum pack quantity.

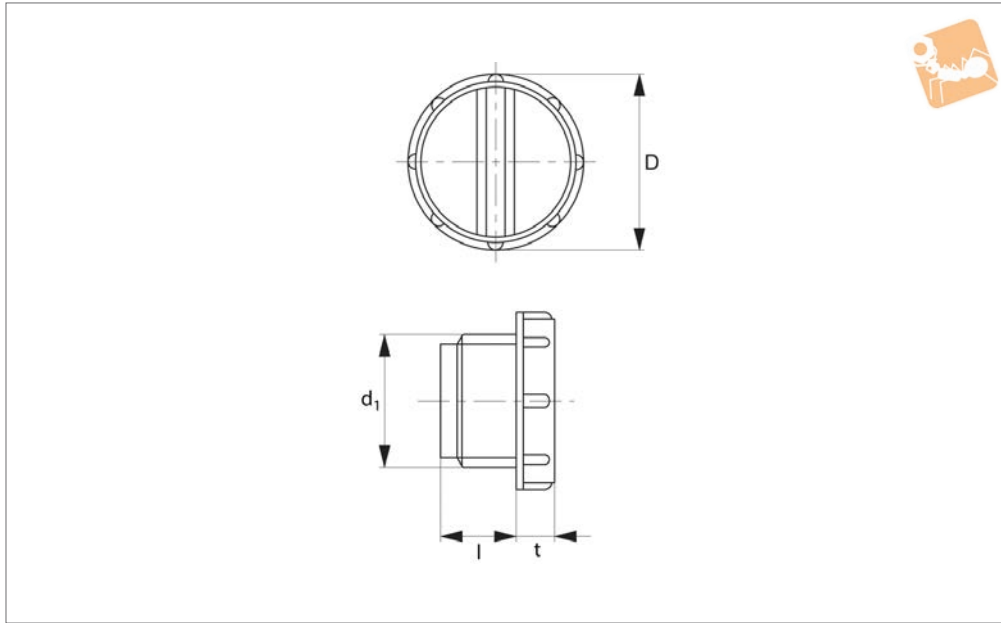
Technical Notes

For protection of drive shafts to DIN 748.

Order No.	w	d	h
P1984.009	9.0	14.5	24.0
P1984.011	11.0	17.5	27.5
P1984.014	14.0	22.5	35.0
P1984.015	15.0	25.5	32.0
P1984.016	16.0	25.5	47.0
P1984.019	19.0	30.5	47.0
P1984.020	20.0	32.0	58.5
P1984.022	22.0	35.5	58.5
P1984.024	24.0	38.5	58.5
P1984.025	25.0	40.0	70.0
P1984.028	28.0	45.0	70.0
P1984.030	30.0	48.0	93.5
P1984.032	32.0	51.0	93.5
P1984.035	35.0	56.0	93.5
P1984.038	38.0	61.0	93.5
P1984.042	42.0	67.0	127.5
P1984.045	45.0	72.0	117.5
P1984.048	48.0	77.0	127.5
P1984.055	55.0	88.0	127.5
P1984.060	60.0	96.0	164.0
P1984.065	65.0	104.0	164.0
P1984.075	75.0	112.0	164.0



Sealing Slotex Plugs threaded



P1990

OTHER MECHANICAL PARTS

Material

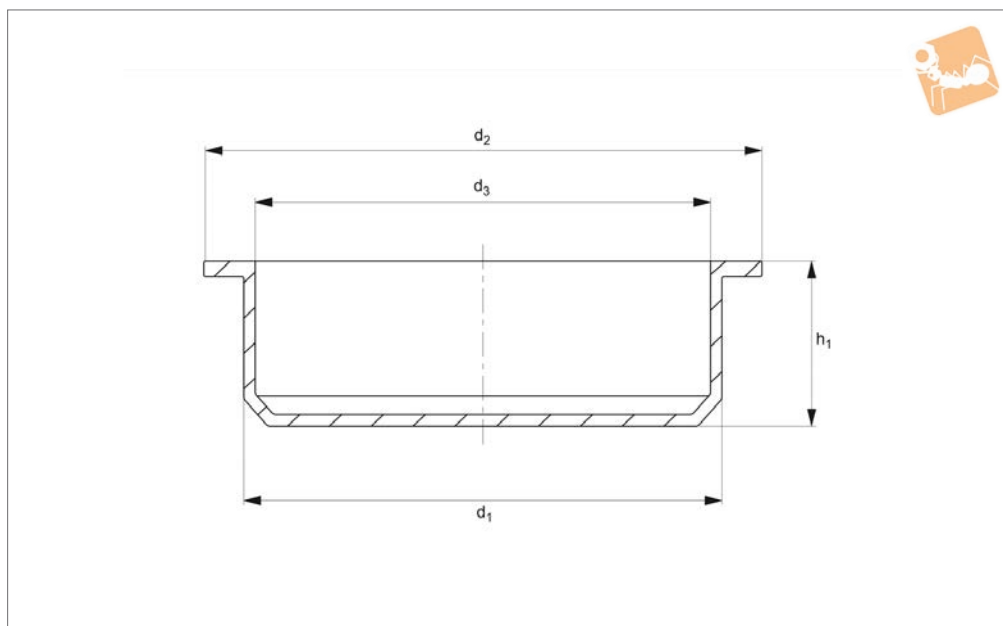
Low density polyethylene, yellow.

Important Notes

Sold subject to minimum pack quantity.



P1980



Material

Polyethylene, natural colour.

applications.

Technical Notes

General purpose for a wide range of appli-

Important Notes

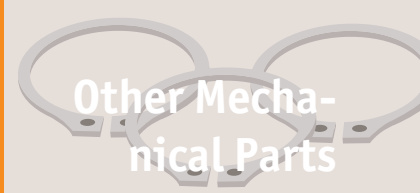
Sold subject to minimum pack quantity.

Order No.	d_1	d_2	d_3	h_1	Thread	Thread inch
P1980.035	3.5	6.9	2.0	5.5	M 4	-
P1980.055	5.5	9.0	4.5	7.0	-	-
P1980.065	6.5	9.9	5.5	8.0	-	-
P1980.075	7.5	10.5	6.3	7.5	-	-
P1980.085	8.5	11.5	7.5	8.7	M10	-
P1980.095	9.5	12.3	8.5	8.2	-	-
P1980.026	26.0	30.9	24.5	11.6	-	-
P1980.026.5	26.5	30.4	25.0	11.5	-	-
P1980.027	27.0	31.0	25.2	10.4	M30	-
P1980.028	28.0	31.3	26.0	11.5	-	-
P1980.029	29.0	32.0	27.0	10.5	-	7/8"
P1980.031	31.0	35.0	29.0	11.8	-	1"
P1980.032	32.0	36.9	30.0	11.6	-	-
P1980.032.5	32.5	37.4	30.5	11.6	M36	-
P1980.033	33.0	37.7	31.0	11.4	-	-
P1980.034	34.0	38.5	32.0	11.7	-	-
P1980.036	36.0	41.2	34.0	12.0	M39	-
P1980.037	37.0	41.6	35.0	11.5	-	-
P1980.038	38.0	42.0	36.0	11.5	M42	-
P1980.039	39.0	43.8	37.0	11.3	-	-
P1980.046	46.0	50.6	44.0	11.3	-	1,1/2"
P1980.047	47.0	51.3	45.0	11.3	-	-
P1980.048	48.0	53.2	46.0	11.5	-	-
P1980.049	49.0	53.7	47.0	11.5	-	-
P1980.050	50.0	54.1	48.0	11.0	-	-
P1980.051	51.0	54.5	49.0	10.8	-	-
P1980.052	52.0	60.0	50.0	12.0	-	-
P1980.053	53.0	59.0	51.0	11.9	-	-
P1980.054	54.0	60.5	52.0	12.0	-	-
P1980.056	56.0	62.4	54.0	13.0	-	-
P1980.057	57.0	60.2	55.0	10.8	-	-
P1980.058	58.0	64.6	56.0	11.7	-	-
P1980.059	59.0	66.7	57.0	10.7	-	-
P1980.060	60.0	67.3	58.0	12.0	-	-



Parallel Protection Plug

push fit



Other Mechanical Parts

Order No.	d ₁	d ₂	d ₃	h ₁	Thread	Thread inch
P1980.061	61.0	67.1	59.0	12.5	-	-
P1980.062	62.0	68.7	60.0	12.2	-	-
P1980.063	63.0	66.5	61.0	11.0	-	-
P1980.063.5	63.5	69.5	61.0	11.5	-	-
P1980.064	64.0	67.2	62.0	10.7	-	-
P1980.066	66.0	71.5	64.0	11.7	-	-
P1980.067	67.0	73.0	65.0	11.5	-	-
P1980.068	68.0	74.2	66.0	11.8	-	-
P1980.069	69.0	75.0	67.0	11.9	-	-
P1980.070	70.0	74.2	68.0	12.1	-	-
P1980.071	71.0	75.0	69.0	12.5	-	-
P1980.072	72.0	79.0	70.0	13.0	-	-
P1980.073	73.0	76.5	71.0	12.0	-	-
P1980.074	74.0	77.0	72.0	11.8	-	-
P1980.076	76.0	78.8	74.0	11.5	-	-
P1980.077	77.0	80.5	75.0	11.0	-	-
P1980.078	78.0	81.7	76.0	11.7	-	-
P1980.079	79.0	82.0	77.0	11.0	-	-
P1980.080	80.0	83.5	78.0	10.7	-	-
P1980.081	81.0	84.0	79.0	10.7	-	-
P1980.082	82.0	85.5	80.0	10.5	-	-
P1980.083	83.0	86.0	81.0	10.7	-	-
P1980.084	84.0	90.0	82.0	12.0	-	-
P1980.084.5	84.5	90.0	82.0	9.2	-	-
P1980.086	86.0	89.0	83.5	11.0	-	-
P1980.086.5	86.5	90.0	84.0	11.0	-	-
P1980.087	87.0	90.0	85.0	10.7	-	-
P1980.088	88.0	91.0	86.0	10.5	-	-
P1980.089	89.0	92.5	87.0	12.0	-	-
P1980.090	90.0	93.5	88.0	11.0	-	-
P1980.091	91.0	94.3	89.0	11.0	-	-
P1980.092	92.0	95.8	90.0	10.8	-	-
P1980.093	93.0	95.6	91.0	10.8	-	-
P1980.094	94.0	97.5	92.0	10.7	-	-
P1980.096	96.0	99.5	94.0	10.8	-	-
P1980.097	97.0	100.1	95.0	10.7	-	-
P1980.098	98.0	101.8	96.0	10.8	-	-
P1980.099	99.0	102.5	97.0	10.7	-	-
P1980.100	100.0	104.5	98.0	11.5	-	-