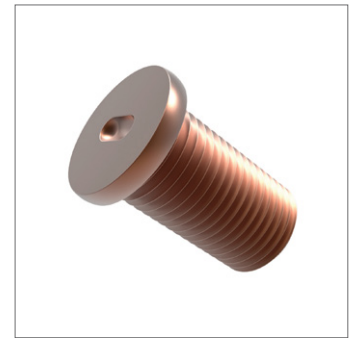
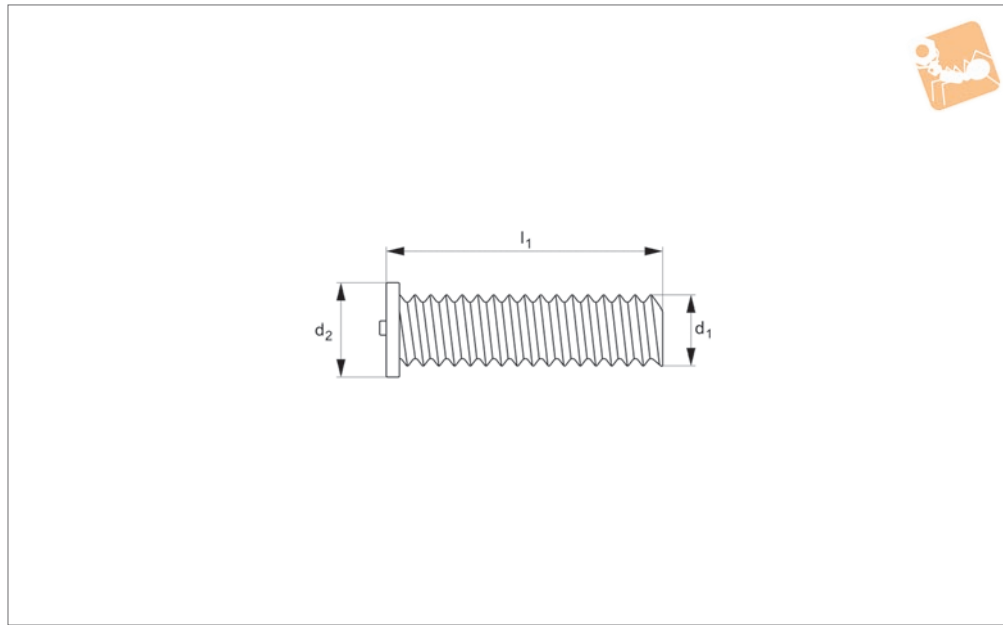
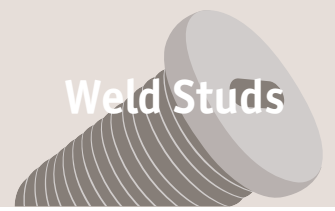




CD Weldstud

Copper coated

Weld Studs



P0830.CU

WELD STUDS

Material

Steel, copper coated.

Technical Notes

CD weld studs have a small nub under their

end which melts to form the weld. When the nub disintegrates it melts and helps solidify the weld to the base material. CD stud welding is often used for smaller

diameter studs and pins, as well as on non-standard materials and for accuracy.

Order No.	d ₁	d ₂	l ₁
P0830.030-006-CU	M3	4.5	6
P0830.030-008-CU	M3	4.5	8
P0830.030-010-CU	M3	4.5	10
P0830.030-012-CU	M3	4.5	12
P0830.030-015-CU	M3	4.5	15
P0830.030-016-CU	M3	4.5	16
P0830.030-020-CU	M3	4.5	20
P0830.030-025-CU	M3	4.5	25
P0830.030-030-CU	M3	4.5	30
P0830.030-035-CU	M3	4.5	35
P0830.030-040-CU	M3	4.5	40
P0830.030-050-CU	M3	4.5	50
P0830.040-006-CU	M4	5.5	6
P0830.040-008-CU	M4	5.5	8
P0830.040-010-CU	M4	5.5	10
P0830.040-012-CU	M4	5.5	12
P0830.040-015-CU	M4	5.5	15
P0830.040-016-CU	M4	5.5	16
P0830.040-020-CU	M4	5.5	20
P0830.040-025-CU	M4	5.5	25
P0830.040-030-CU	M4	5.5	30
P0830.040-035-CU	M4	5.5	35
P0830.040-040-CU	M4	5.5	40
P0830.040-045-CU	M4	5.5	45
P0830.040-050-CU	M4	5.5	50
P0830.050-006-CU	M5	6.5	6
P0830.050-008-CU	M5	6.5	8
P0830.050-010-CU	M5	6.5	10
P0830.050-012-CU	M5	6.5	12
P0830.050-015-CU	M5	6.5	15
P0830.050-016-CU	M5	6.5	16
P0830.050-020-CU	M5	6.5	20
P0830.050-025-CU	M5	6.5	25
P0830.050-030-CU	M5	6.5	30

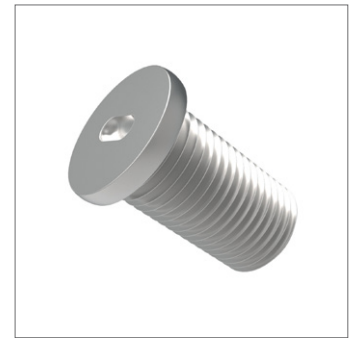
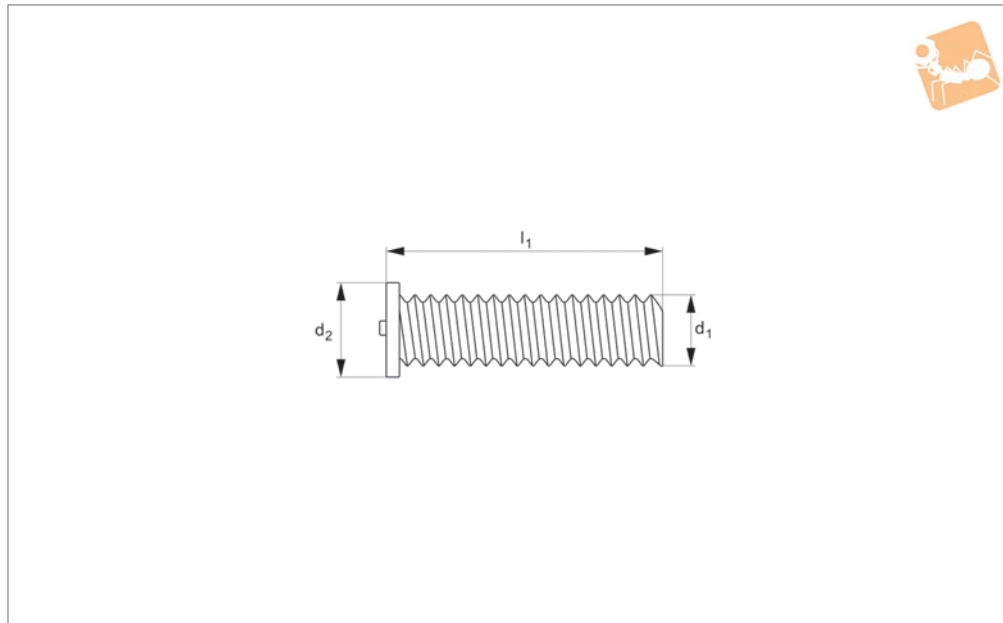
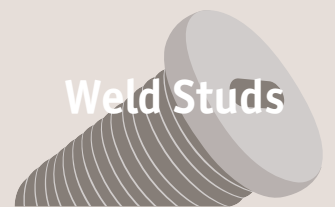


Order No.	d ₁	d ₂	l ₁
P0830.050-035-CU	M5	6.5	35
P0830.050-040-CU	M5	6.5	40
P0830.050-045-CU	M5	6.5	45
P0830.050-050-CU	M5	6.5	50
P0830.050-060-CU	M5	6.5	60
P0830.060-008-CU	M6	7.5	8
P0830.060-010-CU	M6	7.5	10
P0830.060-012-CU	M6	7.5	12
P0830.060-014-CU	M6	7.5	14
P0830.060-015-CU	M6	7.5	15
P0830.060-016-CU	M6	7.5	16
P0830.060-020-CU	M6	7.5	20
P0830.060-025-CU	M6	7.5	25
P0830.060-030-CU	M6	7.5	30
P0830.060-035-CU	M6	7.5	35
P0830.060-040-CU	M6	7.5	40
P0830.060-045-CU	M6	7.5	45
P0830.060-050-CU	M6	7.5	50
P0830.060-055-CU	M6	7.5	55
P0830.060-060-CU	M6	7.5	60
P0830.080-010-CU	M8	9.0	10
P0830.080-012-CU	M8	9.0	12
P0830.080-014-CU	M8	9.0	14
P0830.080-015-CU	M8	9.0	15
P0830.080-016-CU	M8	9.0	16
P0830.080-020-CU	M8	9.0	20
P0830.080-025-CU	M8	9.0	25
P0830.080-030-CU	M8	9.0	30
P0830.080-035-CU	M8	9.0	35
P0830.080-040-CU	M8	9.0	40
P0830.080-045-CU	M8	9.0	45
P0830.080-050-CU	M8	9.0	50
P0830.080-055-CU	M8	9.0	55
P0830.080-060-CU	M8	9.0	60



CD Weldstud A2 stainless

Weld Studs



P0830.A2

WELD STUDS

Material

Stainless steel (A2, AISI 303).

Technical Notes

CD weld studs have a small nub under their

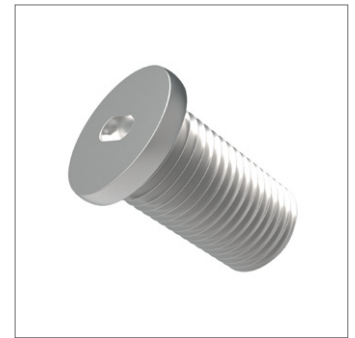
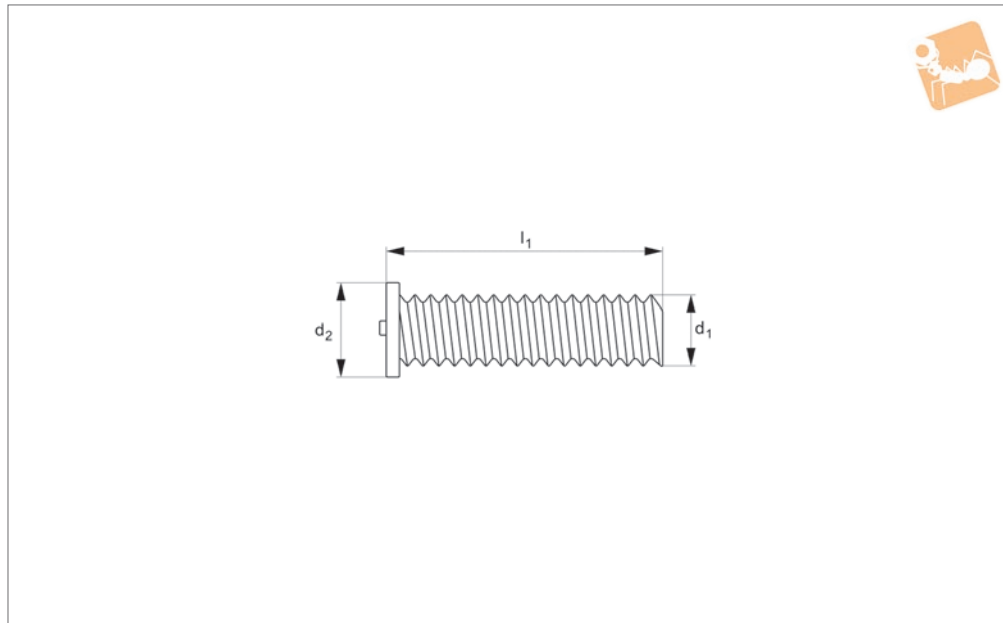
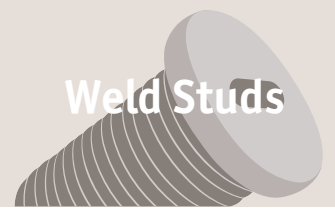
end which melts to form the weld. When the nub disintegrates it melts and helps solidify the weld to the base material. CD stud welding is often used for smaller

diameter studs and pins, as well as on non-standard materials and for accuracy.

Order No.	d ₁	d ₂	l ₁
P0830.030-006-A2	M3	4.5	6
P0830.030-008-A2	M3	4.5	8
P0830.030-010-A2	M3	4.5	10
P0830.030-012-A2	M3	4.5	12
P0830.030-015-A2	M3	4.5	15
P0830.030-016-A2	M3	4.5	16
P0830.030-020-A2	M3	4.5	20
P0830.030-025-A2	M3	4.5	25
P0830.030-030-A2	M3	4.5	30
P0830.030-035-A2	M3	4.5	35
P0830.030-040-A2	M3	4.5	40
P0830.030-050-A2	M3	4.5	50
P0830.040-006-A2	M4	5.5	6
P0830.040-008-A2	M4	5.5	8
P0830.040-010-A2	M4	5.5	10
P0830.040-012-A2	M4	5.5	12
P0830.040-015-A2	M4	5.5	15
P0830.040-016-A2	M4	5.5	16
P0830.040-020-A2	M4	5.5	20
P0830.040-025-A2	M4	5.5	25
P0830.040-030-A2	M4	5.5	30
P0830.040-035-A2	M4	5.5	35
P0830.040-040-A2	M4	5.5	40
P0830.040-045-A2	M4	5.5	45
P0830.040-050-A2	M4	5.5	50
P0830.050-006-A2	M5	6.5	6
P0830.050-008-A2	M5	6.5	8
P0830.050-010-A2	M5	6.5	10
P0830.050-012-A2	M5	6.5	12
P0830.050-015-A2	M5	6.5	15
P0830.050-016-A2	M5	6.5	16
P0830.050-020-A2	M5	6.5	20
P0830.050-025-A2	M5	6.5	25
P0830.050-030-A2	M5	6.5	30



Order No.	d ₁	d ₂	l ₁
P0830.050-035-A2	M5	6.5	35
P0830.050-040-A2	M5	6.5	40
P0830.050-045-A2	M5	6.5	45
P0830.050-050-A2	M5	6.5	50
P0830.060-008-A2	M6	7.5	8
P0830.060-010-A2	M6	7.5	10
P0830.060-012-A2	M6	7.5	12
P0830.060-015-A2	M6	7.5	15
P0830.060-016-A2	M6	7.5	16
P0830.060-020-A2	M6	7.5	20
P0830.060-025-A2	M6	7.5	25
P0830.060-030-A2	M6	7.5	30
P0830.060-035-A2	M6	7.5	35
P0830.060-040-A2	M6	7.5	40
P0830.060-045-A2	M6	7.5	45
P0830.060-050-A2	M6	7.5	50
P0830.060-055-A2	M6	7.5	55
P0830.060-060-A2	M6	7.5	60
P0830.080-010-A2	M8	9.0	10
P0830.080-012-A2	M8	9.0	12
P0830.080-015-A2	M8	9.0	15
P0830.080-016-A2	M8	9.0	16
P0830.080-020-A2	M8	9.0	20
P0830.080-025-A2	M8	9.0	25
P0830.080-030-A2	M8	9.0	30
P0830.080-035-A2	M8	9.0	35
P0830.080-040-A2	M8	9.0	40
P0830.080-045-A2	M8	9.0	45
P0830.080-050-A2	M8	9.0	50
P0830.080-055-A2	M8	9.0	55
P0830.080-060-A2	M8	9.0	60



P0830.AL

WELD STUDS

Material
Aluminium.

Technical Notes

CD weld studs have a small nub under their

end which melts to form the weld. When the nub disintegrates it melts and helps solidify the weld to the base material. CD stud welding is often used for smaller

diameter studs and pins, as well as on non-standard materials and for accuracy.

Order No.	d ₁	d ₂	l ₁
P0830.030-006-AL	M3	4.5	6
P0830.030-008-AL	M3	4.5	8
P0830.030-010-AL	M3	4.5	10
P0830.030-012-AL	M3	4.5	12
P0830.030-015-AL	M3	4.5	15
P0830.030-016-AL	M3	4.5	16
P0830.030-020-AL	M3	4.5	20
P0830.030-025-AL	M3	4.5	25
P0830.030-030-AL	M3	4.5	30
P0830.030-035-AL	M3	4.5	35
P0830.030-040-AL	M3	4.5	40
P0830.030-050-AL	M3	4.5	50
P0830.030-060-AL	M3	4.5	60
P0830.040-006-AL	M4	5.5	6
P0830.040-008-AL	M4	5.5	8
P0830.040-010-AL	M4	5.5	10
P0830.040-012-AL	M4	5.5	12
P0830.040-015-AL	M4	5.5	15
P0830.040-016-AL	M4	5.5	16
P0830.040-020-AL	M4	5.5	20
P0830.040-025-AL	M4	5.5	25
P0830.040-030-AL	M4	5.5	30
P0830.040-035-AL	M4	5.5	35
P0830.040-040-AL	M4	5.5	40
P0830.040-050-AL	M4	5.5	50
P0830.040-060-AL	M4	5.5	60
P0830.050-006-AL	M5	6.5	6
P0830.050-008-AL	M5	6.5	8
P0830.050-010-AL	M5	6.5	10
P0830.050-012-AL	M5	6.5	12
P0830.050-015-AL	M5	6.5	15
P0830.050-016-AL	M5	6.5	16
P0830.050-020-AL	M5	6.5	20
P0830.050-025-AL	M5	6.5	25



Order No.	d ₁	d ₂	l ₁
P0830.050-030-AL	M5	6.5	30
P0830.050-035-AL	M5	6.5	35
P0830.050-040-AL	M5	6.5	40
P0830.050-045-AL	M5	6.5	45
P0830.050-050-AL	M5	6.5	50
P0830.050-060-AL	M5	6.5	60
P0830.060-008-AL	M6	7.5	8
P0830.060-010-AL	M6	7.5	10
P0830.060-012-AL	M6	7.5	12
P0830.060-015-AL	M6	7.5	15
P0830.060-016-AL	M6	7.5	16
P0830.060-020-AL	M6	7.5	20
P0830.060-025-AL	M6	7.5	25
P0830.060-030-AL	M6	7.5	30
P0830.060-035-AL	M6	7.5	35
P0830.060-040-AL	M6	7.5	40
P0830.060-045-AL	M6	7.5	45
P0830.060-050-AL	M6	7.5	50
P0830.060-055-AL	M6	7.5	55
P0830.060-060-AL	M6	7.5	60
P0830.080-015-AL	M8	9.0	15
P0830.080-016-AL	M8	9.0	16
P0830.080-020-AL	M8	9.0	20
P0830.080-025-AL	M8	9.0	25
P0830.080-030-AL	M8	9.0	30