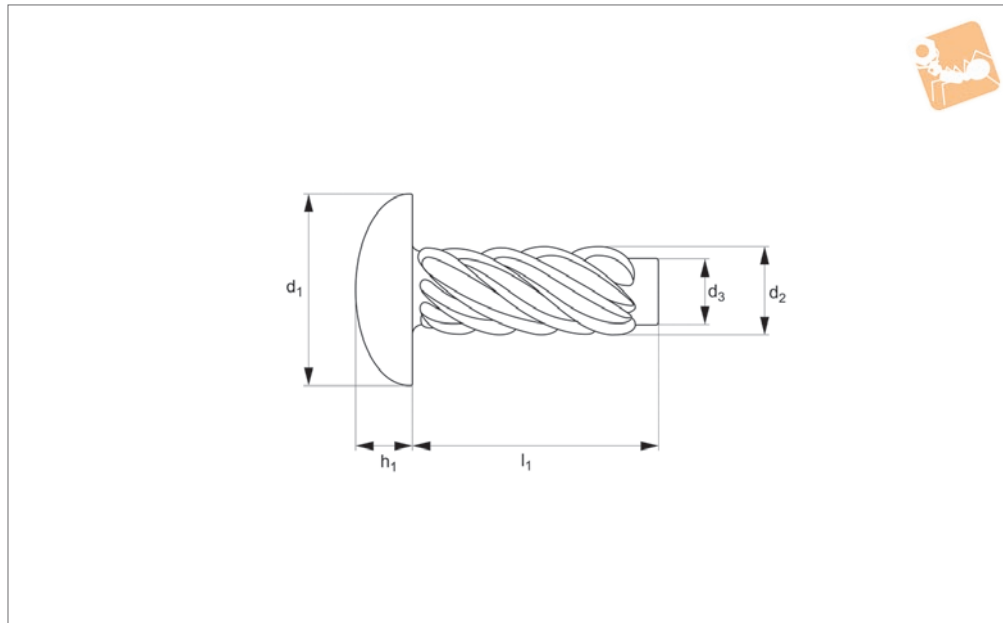
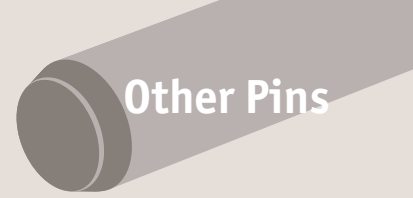




Hammer Drive Pins

stainless steel



P1245.A2

OTHER PINS

Material

Stainless steel (A2, AISI 303).

non-ferrous castings, aluminium and plastics refer to dimension d_4 .

Technical Notes

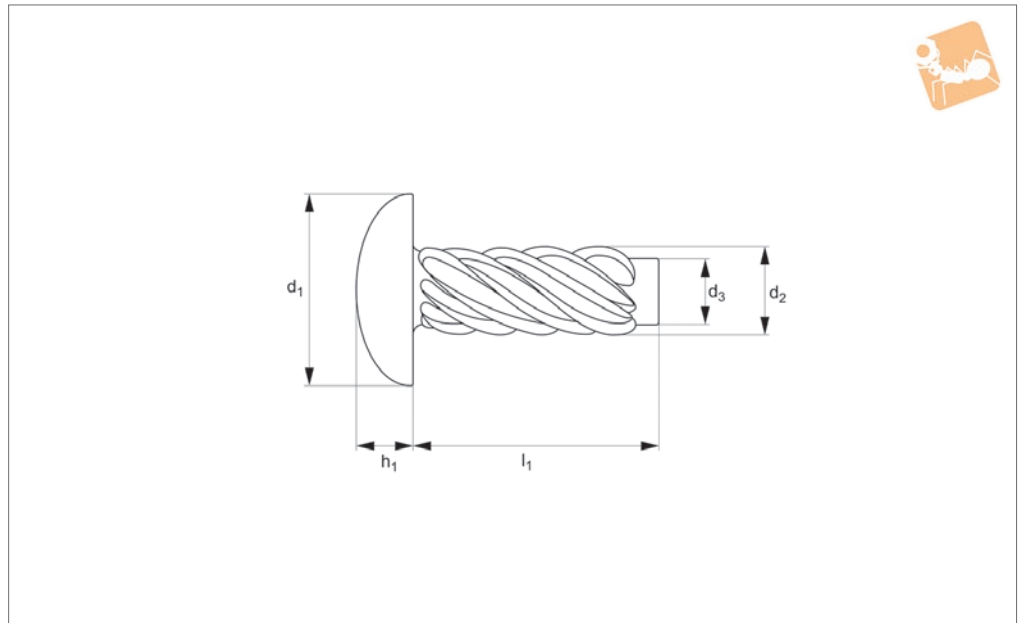
For recommended hole size in thin metals,

For recommended hole size in cast iron and thick sheet metal refer to dimension d_5 .

Order No.	d_1 max.	d_2 max.	d_3 max.	l_1	h_1 max.	d_4	d_5
P1245.015-030-A2	1.5	2.5	1.25	3.25	0.86	1.30	1.40
P1245.015-045-A2	1.5	2.5	1.25	4.50	0.86	1.30	1.40
P1245.015-065-A2	1.5	2.5	1.25	6.50	0.86	1.30	1.40
P1245.015-080-A2	1.5	2.5	1.25	8.00	0.86	1.30	1.40
P1245.015-095-A2	1.5	2.5	1.25	9.50	0.86	1.30	1.40
P1245.019-030-A2	1.9	3.2	1.60	3.25	1.24	1.65	1.75
P1245.019-045-A2	1.9	3.2	1.60	4.50	1.24	1.65	1.75
P1245.019-065-A2	1.9	3.2	1.60	6.50	1.24	1.65	1.75
P1245.019-080-A2	1.9	3.2	1.60	8.00	1.24	1.65	1.75
P1245.019-095-A2	1.9	3.2	1.60	9.50	1.24	1.65	1.75
P1245.025-030-A2	2.5	4.1	2.10	3.25	1.75	2.20	2.30
P1245.025-045-A2	2.5	4.1	2.10	4.50	1.75	2.20	2.30
P1245.025-065-A2	2.5	4.1	2.10	6.50	1.75	2.20	2.30
P1245.025-080-A2	2.5	4.1	2.10	8.00	1.75	2.20	2.30
P1245.025-095-A2	2.5	4.1	2.10	9.50	1.75	2.20	2.30
P1245.025-130-A2	2.5	4.1	2.10	13.00	1.75	2.20	2.30
P1245.029-045-A2	2.9	5.4	2.44	4.50	2.18	2.55	2.70
P1245.029-065-A2	2.9	5.4	2.44	6.50	2.18	2.55	2.70
P1245.029-080-A2	2.9	5.4	2.44	8.00	2.18	2.55	2.70
P1245.029-095-A2	2.9	5.4	2.44	9.50	2.18	2.55	2.70
P1245.035-065-A2	3.5	6.6	2.95	6.50	2.62	3.10	3.30
P1245.035-080-A2	3.5	6.6	2.95	8.00	2.62	3.10	3.30
P1245.035-095-A2	3.5	6.6	2.95	9.50	2.62	3.10	3.30
P1245.035-130-A2	3.5	6.6	2.95	13.00	2.62	3.10	3.30
P1245.035-160-A2	3.5	6.6	2.95	16.00	2.62	3.10	3.30
P1245.035-190-A2	3.5	6.6	2.95	19.00	2.62	3.10	3.30
P1245.042-065-A2	4.2	7.9	3.45	6.5	3.05	3.70	3.90
P1245.042-080-A2	4.2	7.9	3.45	8.0	3.05	3.70	3.90
P1245.042-095-A2	4.2	7.9	3.45	9.5	3.05	3.70	3.90
P1245.042-130-A2	4.2	7.9	3.45	13.0	3.05	3.70	3.90
P1245.048-095-A2	4.8	9.1	3.81	9.5	3.48	4.10	4.30
P1245.048-130-A2	4.8	9.1	3.81	13.0	3.48	4.10	4.30



P1245



Material

Steel (nickel-plated or self-colour).

Order No.	d_1	d_2	d_3	l_1	h_1	Recc. hole
P1245.014-005-SC	2.60	1.63	1.40	5.0	0.90	1.40
P1245.014-060-SC	2.60	1.63	1.40	6.0	0.90	1.40
P1245.014-800-SC	2.60	1.63	1.40	8.0	0.90	1.40
P1245.016-050-SC	3.00	1.83	1.60	5.0	1.10	1.60
P1245.016-060-SC	3.00	1.83	1.60	6.0	1.10	1.60
P1245.016-080-SC	3.00	1.83	1.60	8.0	1.10	1.60
P1245.020-060-SC	3.70	2.30	2.00	6.0	1.30	2.00
P1245.020-080-SC	3.70	2.30	2.00	8.0	1.30	2.00
P1245.020-100-SC	3.70	2.30	2.00	10.0	1.30	2.00
P1245.025-060-SC	4.60	2.80	2.50	6.0	1.60	2.55
P1245.025-080-SC	4.60	2.80	2.50	8.0	1.60	2.55
P1245.025-100-SC	4.60	2.80	2.50	10.0	1.60	2.55
P1245.030-080-SC	5.45	3.35	3.00	8.0	1.95	3.00
P1245.030-100-SC	5.45	3.35	3.00	10.0	1.95	3.00
P1245.030-120-SC	5.45	3.35	3.00	12.0	1.95	3.00
P1245.040-100-SC	7.25	4.35	4.00	10.0	2.55	4.00
P1245.040-120-SC	7.25	4.35	4.00	12.0	2.55	4.00
P1245.040-160-SC	7.25	4.35	4.00	16.0	2.55	4.00
P1245.050-120-SC	9.10	5.35	5.00	12.0	3.15	5.00
P1245.050-160-SC	9.10	5.35	5.00	16.0	3.15	5.00
P1245.050-200-SC	9.10	5.35	5.00	20.0	3.15	5.00
P1245.060-160-SC	10.80	6.35	6.00	16.0	3.75	6.00
P1245.060-200-SC	10.80	6.35	6.00	20.0	3.75	6.00
P1245.035-095-NP	6.60	3.50	2.94	9.5	2.61	3.05
P1245.035-065-NP	6.60	3.50	2.94	6.4	2.61	3.05