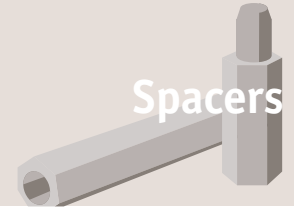


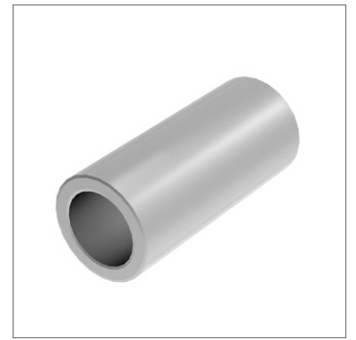
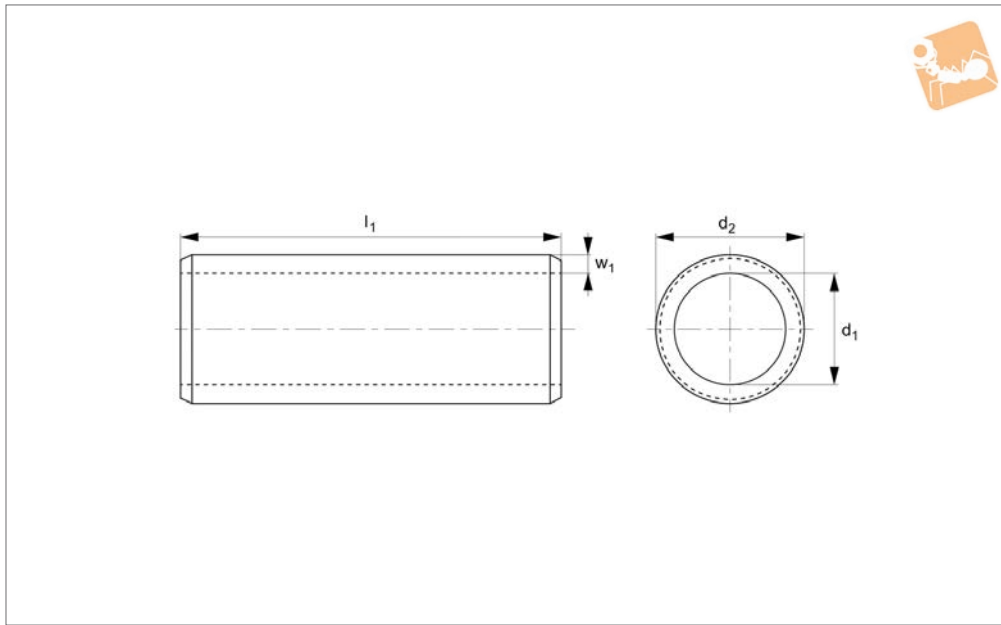


Steel Clearance Spacers

Steel - zinc-plated



Spacers



P0065.ZP

SPACERS

Material

Mild steel (AISI 1010, CS4), zinc plated.

ring process makes them very cost-effective.

Technical Notes

These are rolled spacers - the manufactu-

Order No.	For thread	l_1 +0 -0.2	d_1	d_2	w_1
P0065.025-002-ZP	M2,5	2	2.7	4.5	0.9
P0065.025-003-ZP	M2,5	3	2.7	4.5	0.9
P0065.025-004-ZP	M2,5	4	2.7	4.5	0.9
P0065.025-005-ZP	M2,5	5	2.7	4.5	0.9
P0065.025-006-ZP	M2,5	6	2.7	4.5	0.9
P0065.025-010-ZP	M2,5	10	2.7	4.5	0.9
P0065.025-012-ZP	M2,5	12	2.7	4.5	0.9
P0065.025-015-ZP	M2,5	15	2.7	4.5	0.9
P0065.025-018-ZP	M2,5	18	2.7	4.5	0.9
P0065.030-002-ZP	M 3	2	3.4	5.0	0.8
P0065.030-003-ZP	M 3	3	3.4	5.0	0.8
P0065.030-004-ZP	M 3	4	3.4	5.0	0.8
P0065.030-006-ZP	M 3	6	3.4	5.0	0.8
P0065.030-008-ZP	M 3	8	3.4	5.0	0.8
P0065.030-010-ZP	M 3	10	3.4	5.0	0.8
P0065.030-012-ZP	M 3	12	3.4	5.0	0.8
P0065.030-015-ZP	M 3	15	3.4	5.0	0.8
P0065.030-018-ZP	M 3	18	3.4	5.0	0.8
P0065.030-030-ZP	M 3	30	3.4	5.0	0.8
P0065.040-002-ZP	M 4	2	4.5	6.0	0.75
P0065.040-003-ZP	M 4	3	4.5	6.0	0.75
P0065.040-004-ZP	M 4	4	4.5	6.0	0.75
P0065.040-006-ZP	M 4	6	4.5	6.0	0.75
P0065.040-008-ZP	M 4	8	4.5	6.0	0.75
P0065.040-010-ZP	M 4	10	4.5	6.0	0.75
P0065.040-012-ZP	M 4	12	4.5	6.0	0.75
P0065.040-015-ZP	M 4	15	4.5	6.0	0.75
P0065.040-018-ZP	M 4	18	4.5	6.0	0.75
P0065.040-020-ZP	M 4	20	4.5	6.0	0.75
P0065.040-024-ZP	M 4	24	4.5	6.0	0.75
P0065.040-028-ZP	M 4	28	4.5	6.0	0.75
P0065.040-030-ZP	M 4	30	4.5	6.0	0.75
P0065.040-035-ZP	M 4	35	4.5	6.0	0.75
P0065.040-050-ZP	M 4	50	4.5	6.0	0.75

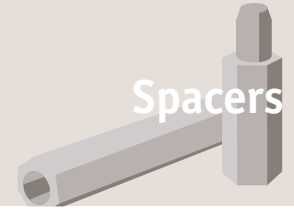


Order No.	For thread	l_1 +0 -0.2	d_1	d_2	w_1
P0065.050-006-ZP	M 5	6	5.6	8.0	1.2
P0065.050-008-ZP	M 5	8	5.6	8.0	1.2
P0065.050-010-ZP	M 5	10	5.6	8.0	1.2
P0065.050-012-ZP	M 5	12	5.6	8.0	1.2
P0065.050-015-ZP	M 5	15	5.6	8.0	1.2
P0065.050-018-ZP	M 5	18	5.6	8.0	1.2
P0065.050-020-ZP	M 5	20	5.6	8.0	1.2
P0065.050-024-ZP	M 5	24	5.6	8.0	1.2
P0065.050-028-ZP	M 5	28	5.6	8.0	1.2
P0065.050-030-ZP	M 5	30	5.6	8.0	1.2
P0065.050-035-ZP	M 5	35	5.6	8.0	1.2
P0065.050-040-ZP	M 5	40	5.6	8.0	1.2
P0065.060-004-ZP	M 6	4	6.4	10.0	1.8
P0065.060-006-ZP	M 6	6	6.4	10.0	1.8
P0065.060-008-ZP	M 6	8	6.4	10.0	1.8
P0065.060-010-ZP	M 6	10	6.4	10.0	1.8
P0065.060-012-ZP	M 6	12	6.4	10.0	1.8
P0065.060-015-ZP	M 6	15	6.4	10.0	1.8
P0065.060-020-ZP	M 6	20	6.4	10.0	1.8
P0065.060-024-ZP	M 6	24	6.4	10.0	1.8
P0065.060-025-ZP	M 6	25	6.4	10.0	1.8
P0065.060-028-ZP	M 6	28	6.4	10.0	1.8
P0065.060-030-ZP	M 6	30	6.4	10.0	1.8
P0065.060-035-ZP	M 6	35	6.4	10.0	1.8
P0065.060-040-ZP	M 6	40	6.4	10.0	1.8
P0065.080-004-ZP	M 8	4	8.4	12.0	1.8
P0065.080-006-ZP	M 8	6	8.4	12.0	1.8
P0065.080-010-ZP	M 8	10	8.4	12.0	1.8
P0065.080-012-ZP	M 8	12	8.4	12.0	1.8
P0065.080-015-ZP	M 8	15	8.4	12.0	1.8
P0065.080-020-ZP	M 8	20	8.4	12.0	1.8
P0065.080-025-ZP	M 8	25	8.4	12.0	1.8
P0065.080-030-ZP	M 8	30	8.4	12.0	1.8
P0065.080-050-ZP	M 8	50	8.4	12.0	1.8
P0065.100-004-ZP	M10	4	10.4	16.0	2.8
P0065.100-006-ZP	M10	6	10.4	16.0	2.8
P0065.100-008-ZP	M10	8	10.4	16.0	2.8
P0065.100-010-ZP	M10	10	10.4	16.0	2.8
P0065.100-012-ZP	M10	12	10.4	16.0	2.8
P0065.100-016-ZP	M10	16	10.4	16.0	2.8
P0065.100-018-ZP	M10	18	10.4	16.0	2.8
P0065.100-024-ZP	M10	24	10.4	16.0	2.8
P0065.100-030-ZP	M10	30	10.4	16.0	2.8
P0065.120-003-ZP	M12	3	12.4	16.0	1.8
P0065.120-005-ZP	M12	5	12.4	16.0	1.8
P0065.120-008-ZP	M12	8	12.4	16.0	1.8
P0065.120-010-ZP	M12	10	12.4	16.0	1.8
P0065.120-015-ZP	M12	15	12.4	16.0	1.8
P0065.120-020-ZP	M12	20	12.4	16.0	1.8

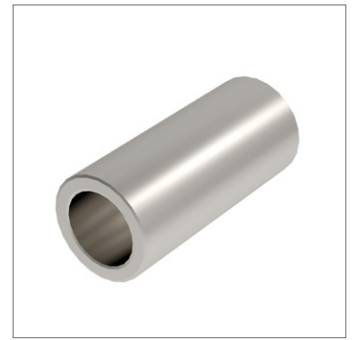
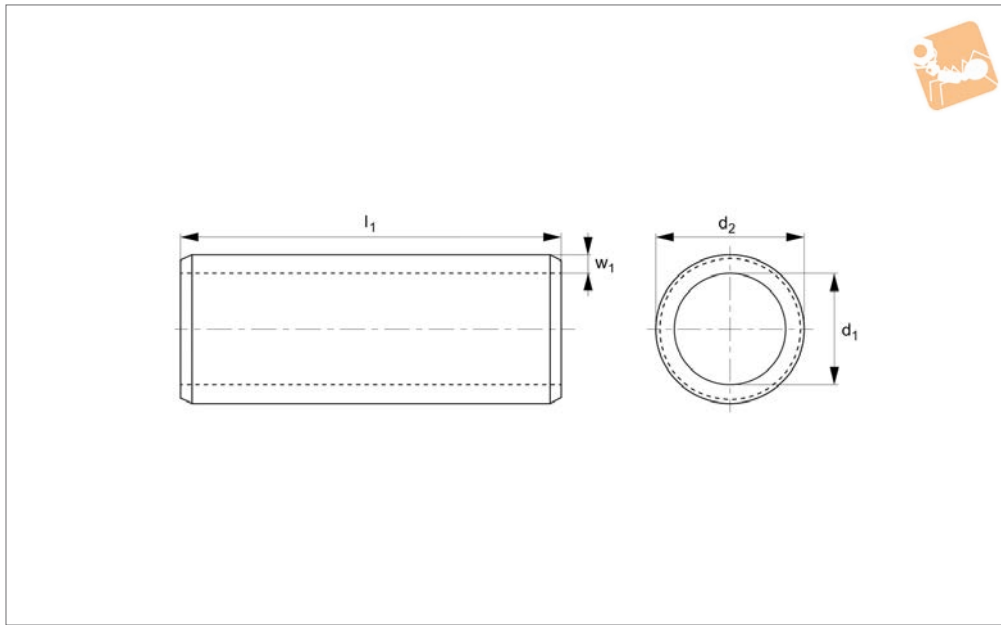


Stainless Clearance Spacers

A2 stainless



Spacers



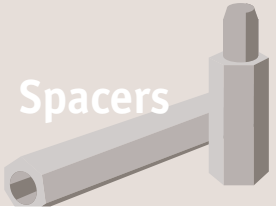
P0065.A2

SPACERS

Material

Stainless steel (A2, AISI 303).

Order No.	For thread	l_1	d_1	d_2	w
P0065.030-002-A2	M3	2	3.4	5.0	0.8
P0065.030-003-A2	M3	3	3.4	5.0	0.8
P0065.030-004-A2	M3	4	3.4	5.0	0.8
P0065.030-005-A2	M3	5	3.4	5.0	0.8
P0065.030-006-A2	M3	6	3.4	5.0	0.8
P0065.030-008-A2	M3	8	3.4	5.0	0.8
P0065.030-010-A2	M3	10	3.4	5.0	0.8
P0065.030-012-A2	M3	12	3.4	5.0	0.8
P0065.030-015-A2	M3	15	3.4	5.0	0.8
P0065.030-020-A2	M3	20	3.4	5.0	0.8
P0065.030-025-A2	M3	25	3.4	5.0	0.8
P0065.030-030-A2	M3	30	3.4	5.0	0.8
P0065.040-002-A2	M4	2	4.5	6.0	0.75
P0065.040-003-A2	M4	3	4.5	6.0	0.75
P0065.040-004-A2	M4	4	4.5	6.0	0.75
P0065.040-005-A2	M4	5	4.5	6.0	0.75
P0065.040-006-A2	M4	6	4.5	6.0	0.75
P0065.040-008-A2	M4	8	4.5	6.0	0.75
P0065.040-010-A2	M4	10	4.5	6.0	0.75
P0065.040-015-A2	M4	15	4.5	6.0	0.75
P0065.040-020-A2	M4	20	4.5	6.0	0.75
P0065.040-025-A2	M4	25	4.5	6.0	0.75
P0065.040-030-A2	M4	30	4.5	6.0	0.75
P0065.050-004-A2	M5	4	6.0	8.0	1.0
P0065.050-005-A2	M5	5	6.0	8.0	1.0
P0065.050-010-A2	M5	10	6.0	8.0	1.0
P0065.050-015-A2	M5	15	6.0	8.0	1.0
P0065.050-020-A2	M5	20	6.0	8.0	1.0
P0065.060-002-A2	M6	2	6.4	10.0	1.8
P0065.060-005-A2	M6	5	6.4	10.0	1.8
P0065.060-006-A2	M6	6	6.4	10.0	1.8
P0065.060-010-A2	M6	10	6.4	10.0	1.8
P0065.060-015-A2	M6	15	6.4	10.0	1.8
P0065.060-020-A2	M6	20	6.4	10.0	1.8
P0065.060-025-A2	M6	25	6.4	10.0	1.8



Stainless Clearance Spacers

A2 stainless



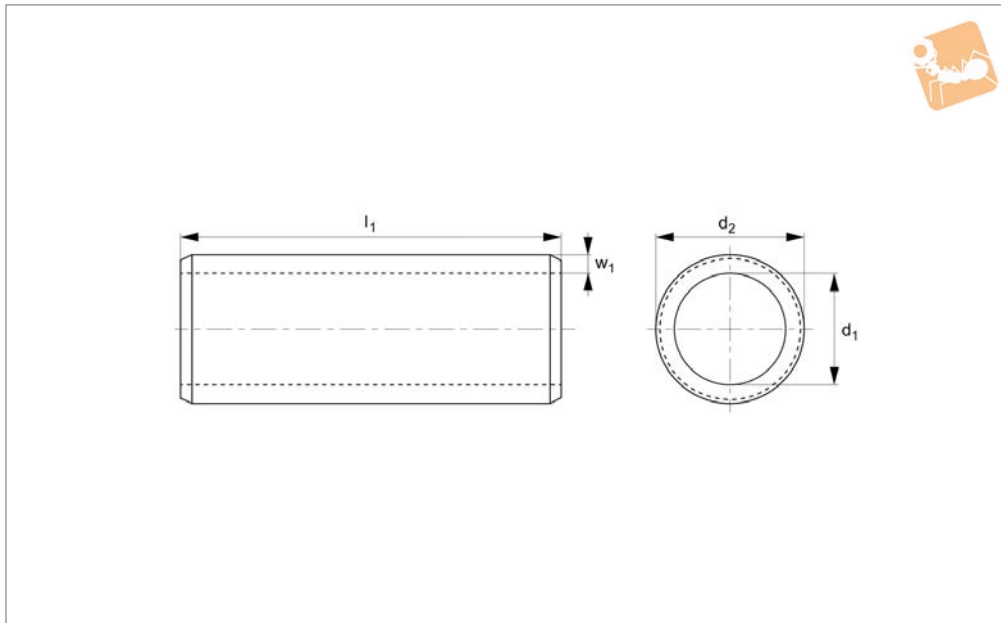
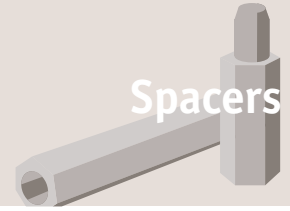
Order No.	For thread	l_1	d_1	d_2	w
P0065.060-030-A2	M6	30	6.4	10.0	1.8



Brass Clearance Spacers

Brass

Spacers



P0065.BR

SPACERS

Material

Brass, nickel plated.

Order No.	For thread	l_1	d_1	d_2	w_1
P0065.020-001-BR	M2	1	2.2	4.0	0.8
P0065.020-002-BR	M2	2	2.2	4.0	0.8
P0065.020-003-BR	M2	3	2.2	4.0	0.8
P0065.020-004-BR	M2	4	2.2	4.0	0.8
P0065.020-005-BR	M2	5	2.2	4.0	0.8
P0065.020-006-BR	M2	6	2.2	4.0	0.8
P0065.020-008-BR	M2	8	2.2	4.0	0.8
P0065.020-010-BR	M2	10	2.2	4.0	0.8
P0065.020-012-BR	M2	12	2.2	4.0	0.8
P0065.020-015-BR	M2	15	2.2	4.0	0.8
P0065.020-018-BR	M2	18	2.2	4.0	0.8
P0065.020-020-BR	M2	20	2.2	4.0	0.8
P0065.025-001-BR	M2,5	1	2.6	4.5	0.9
P0065.025-002-BR	M2,5	2	2.6	4.5	0.9
P0065.025-003-BR	M2,5	3	2.6	4.5	0.9
P0065.025-004-BR	M2,5	4	2.6	4.5	0.9
P0065.025-005-BR	M2,5	5	2.6	4.5	0.9
P0065.025-006-BR	M2,5	6	2.6	4.5	0.9
P0065.025-008-BR	M2,5	8	2.6	4.5	0.9
P0065.025-010-BR	M2,5	10	2.6	4.5	0.9
P0065.025-015-BR	M2,5	15	2.6	4.5	0.9
P0065.025-020-BR	M2,5	20	2.6	4.5	0.9
P0065.030-001-BR	M3	1	3.2	6.0	0.8
P0065.030-002-BR	M3	2	3.2	6.0	0.8
P0065.030-003-BR	M3	3	3.2	6.0	0.8
P0065.030-004-BR	M3	4	3.2	6.0	0.8
P0065.030-005-BR	M3	5	3.2	6.0	0.8
P0065.030-006-BR	M3	6	3.2	6.0	0.8
P0065.030-008-BR	M3	8	3.2	6.0	0.8
P0065.030-010-BR	M3	10	3.2	6.0	0.8
P0065.030-015-BR	M3	15	3.2	6.0	0.8
P0065.030-020-BR	M3	20	3.2	6.0	0.8
P0065.030-025-BR	M3	25	3.2	6.0	0.8
P0065.030-030-BR	M3	30	3.2	6.0	0.8
P0065.030-035-BR	M3	35	3.2	6.0	0.8



Order No.	For thread	l_1	d_1	d_2	w_1
P0065.040-001-BR	M4	1	4.3	8.0	0.75
P0065.040-003-BR	M4	3	4.3	8.0	0.75
P0065.040-004-BR	M4	4	4.3	8.0	0.75
P0065.040-005-BR	M4	5	4.3	8.0	0.75
P0065.040-006-BR	M4	6	4.3	8.0	0.75
P0065.040-008-BR	M4	8	4.3	8.0	0.75
P0065.040-010-BR	M4	10	4.3	8.0	0.75
P0065.040-015-BR	M4	15	4.3	8.0	0.75
P0065.040-020-BR	M4	20	4.3	8.0	0.75
P0065.040-025-BR	M4	25	4.3	8.0	0.75
P0065.040-030-BR	M4	30	4.3	8.0	0.75
P0065.040-035-BR	M4	35	4.3	8.0	0.75
P0065.040-040-BR	M4	40	4.3	8.0	0.75
P0065.040-050-BR	M4	50	4.3	8.0	0.75
P0065.050-001-BR	M5	1	5.4	10.0	1.2
P0065.050-002-BR	M5	2	5.4	10.0	1.2
P0065.050-003-BR	M5	3	5.4	10.0	1.2
P0065.050-005-BR	M5	5	5.4	10.0	1.2
P0065.050-006-BR	M5	6	5.4	10.0	1.2
P0065.050-008-BR	M5	8	5.4	10.0	1.2
P0065.050-010-BR	M5	10	5.4	10.0	1.2
P0065.050-015-BR	M5	15	5.4	10.0	1.2
P0065.050-020-BR	M5	20	5.4	10.0	1.2
P0065.050-025-BR	M5	25	5.4	10.0	1.2
P0065.050-030-BR	M5	30	5.4	10.0	1.2
P0065.050-035-BR	M5	35	5.4	10.0	1.2
P0065.050-040-BR	M5	40	5.4	10.0	1.2
P0065.050-050-BR	M5	50	5.4	10.0	1.2
P0065.060-001-BR	M6	1	6.4	11.0	1.8
P0065.060-003-BR	M6	3	6.4	11.0	1.8
P0065.060-005-BR	M6	5	6.4	11.0	1.8
P0065.060-008-BR	M6	8	6.4	11.0	1.8
P0065.060-010-BR	M6	10	6.4	11.0	1.8
P0065.060-015-BR	M6	15	6.4	11.0	1.8
P0065.060-020-BR	M6	20	6.4	11.0	1.8
P0065.060-025-BR	M6	25	6.4	11.0	1.8
P0065.060-030-BR	M6	30	6.4	11.0	1.8
P0065.060-035-BR	M6	35	6.4	11.0	1.8
P0065.060-040-BR	M6	40	6.4	11.0	1.8
P0065.060-050-BR	M6	50	6.4	11.0	1.8