

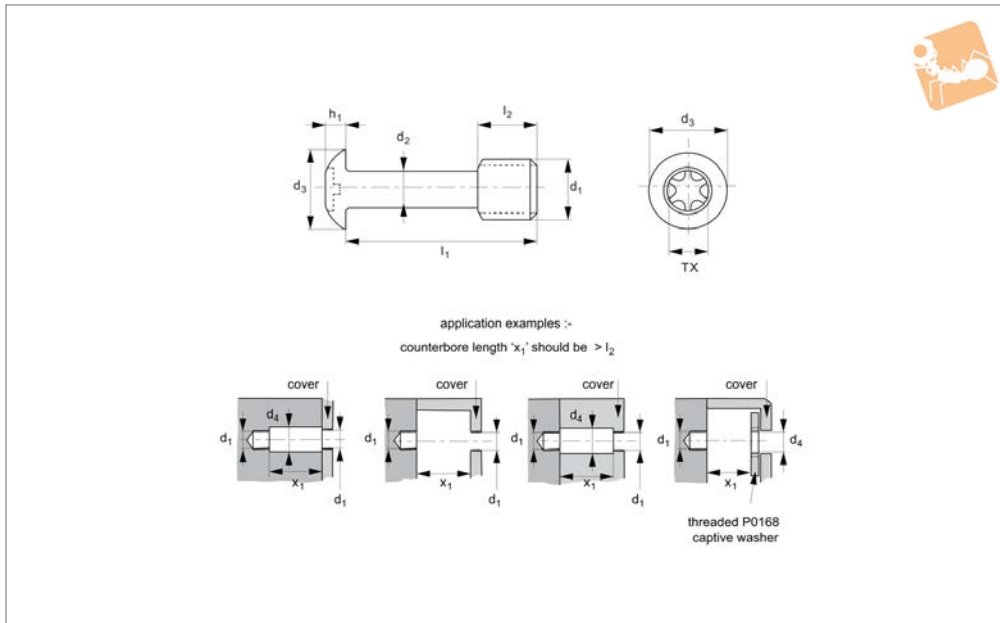


Captive Screws - Button Head

TX drive - titanium



Captive Screws



P0149.Ti

CAPTIVE SCREWS

Material

Titanium grade 2 (tensile strength 345 N/mm²), or grade 5 (alloy; tensile strength 900 N/mm²).

Also available in stainless steel (see the rest of the P0149 range), or on request in steel (anodised, black oxide or zinc plated), brass, aluminium etc.

Technical Notes

Used to comply with the Machinery Direc-

tive 2006/42/EC. Generally to ISO 7380-1. Often used with our captive washers (P0168) or retaining flanges (P0169 - for sheet metal applications). The use of our captive washers should be considered when fitted in panels with unthreaded holes.

T5 also available on request.

Replace -T2 with -T5 at the end of part number.

Important Notes

Please note that these screws have a reduced diameter shank and should not be tightened to the recommended torque for an equivalent machine screw of size d₁.

Order No.	d ₁	l ₁ 0,25	d ₂ 0,12	l ₂ -0,2	d ₃ max.	d ₄ min.	h ₁ max.	TX size	Material
P0149.025-008-T2	M 2,5	8	1.7	3.7	4.5	2.8	1.50	TX- 8	Grade 2
P0149.025-010-T2	M 2,5	10	1.7	3.7	4.5	2.8	1.50	TX- 8	Grade 2
P0149.025-012-T2	M 2,5	12	1.7	3.7	4.5	2.8	1.50	TX- 8	Grade 2
P0149.025-016-T2	M 2,5	16	1.7	3.7	4.5	2.8	1.50	TX- 8	Grade 2
P0149.025-020-T2	M 2,5	20	1.7	3.7	4.5	2.8	1.50	TX- 8	Grade 2
P0149.030-010-T2	M 3	10	2.0	4.5	5.7	3.5	1.65	TX-10	Grade 2
P0149.030-016-T2	M 3	16	2.0	4.5	5.7	3.5	1.65	TX-10	Grade 2
P0149.030-020-T2	M 3	20	2.0	4.5	5.7	3.5	1.65	TX-10	Grade 2
P0149.030-025-T2	M 3	25	2.0	4.5	5.7	3.5	1.65	TX-10	Grade 2
P0149.030-030-T2	M 3	30	2.0	4.5	5.7	3.5	1.65	TX-10	Grade 2
P0149.030-040-T2	M 3	40	2.0	5.0	5.7	3.5	1.65	TX-10	Grade 2
P0149.040-012-T2	M 4	12	2.8	6.0	7.6	4.5	3.10	TX-20	Grade 2
P0149.040-016-T2	M 4	16	2.8	6.0	7.6	4.5	3.10	TX-20	Grade 2
P0149.040-020-T2	M 4	20	2.8	6.0	7.6	4.5	3.10	TX-20	Grade 2
P0149.040-025-T2	M 4	25	2.8	6.0	7.6	4.5	3.10	TX-20	Grade 2
P0149.040-030-T2	M 4	30	2.8	6.0	7.6	4.5	3.10	TX-20	Grade 2
P0149.040-040-T2	M 4	40	2.8	6.0	7.6	4.5	3.10	TX-20	Grade 2
P0149.040-050-T2	M 4	50	2.8	6.0	7.6	4.5	3.10	TX-20	Grade 2
P0149.040-060-T2	M 4	60	2.8	6.0	7.6	4.5	3.10	TX-20	Grade 2
P0149.050-012-T2	M 5	12	3.7	7.5	9.5	5.5	3.70	TX-25	Grade 2
P0149.050-016-T2	M 5	16	3.7	7.5	9.5	5.5	3.70	TX-25	Grade 2
P0149.050-020-T2	M 5	20	3.7	7.5	9.5	5.5	3.70	TX-25	Grade 2
P0149.050-025-T2	M 5	25	3.7	7.5	9.5	5.5	3.70	TX-25	Grade 2
P0149.050-030-T2	M 5	30	3.7	7.5	9.5	5.5	3.70	TX-25	Grade 2
P0149.050-040-T2	M 5	40	3.7	7.5	9.5	5.5	3.70	TX-25	Grade 2
P0149.050-050-T2	M 5	50	3.7	7.5	9.5	5.5	3.70	TX-25	Grade 2



CAPTIVE SCREWS

Order No.	d ₁	l ₁ 0,25	d ₂ 0,12	l ₂ -0,2	d ₃ max.	d ₄ min.	h ₁ max.	TX size	Material
P0149.050-060-T2	M 5	60	3.7	7.5	9.5	5.5	3.70	TX-25	Grade 2
P0149.060-016-T2	M 6	16	4.2	7.5	10.5	6.5	4.70	TX-30	Grade 2
P0149.060-020-T2	M 6	20	4.2	7.5	10.5	6.5	4.70	TX-30	Grade 2
P0149.060-025-T2	M 6	25	4.2	7.5	10.5	6.5	4.70	TX-30	Grade 2
P0149.060-030-T2	M 6	30	4.2	7.5	10.5	6.5	4.70	TX-30	Grade 2
P0149.060-040-T2	M 6	40	4.2	7.5	10.5	6.5	4.70	TX-30	Grade 2
P0149.060-050-T2	M 6	50	4.2	7.5	10.5	6.5	4.70	TX-30	Grade 2
P0149.060-060-T2	M 6	60	4.2	7.5	10.5	6.5	4.70	TX-30	Grade 2
P0149.060-080-T2	M 6	80	4.2	7.5	10.5	6.5	4.70	TX-30	Grade 2
P0149.025-008-T5	M 2,5	8	1.7	3.7	4.5	2.8	1.50	TX- 8	Grade 5
P0149.025-010-T5	M 2,5	10	1.7	3.7	4.5	2.8	1.50	TX- 8	Grade 5
P0149.025-012-T5	M 2,5	12	1.7	3.7	4.5	2.8	1.50	TX- 8	Grade 5
P0149.025-016-T5	M 2,5	16	1.7	3.7	4.5	2.8	1.50	TX- 8	Grade 5
P0149.025-020-T5	M 2,5	20	1.7	3.7	4.5	2.8	1.50	TX- 8	Grade 5
P0149.030-010-T5	M 3	10	2.0	4.5	5.7	3.5	1.65	TX-10	Grade 5
P0149.030-016-T5	M 3	16	2.0	4.5	5.7	3.5	1.65	TX-10	Grade 5
P0149.030-020-T5	M 3	20	2.0	4.5	5.7	3.5	1.65	TX-10	Grade 5
P0149.030-025-T5	M 3	25	2.0	4.5	5.7	3.5	1.65	TX-10	Grade 5
P0149.030-030-T5	M 3	30	2.0	4.5	5.7	3.5	1.65	TX-10	Grade 5
P0149.030-040-T5	M 3	40	2.0	5.0	5.7	3.5	1.65	TX-10	Grade 5
P0149.040-012-T5	M 4	12	2.8	6.0	7.6	4.5	3.10	TX-20	Grade 5
P0149.040-016-T5	M 4	16	2.8	6.0	7.6	4.5	3.10	TX-20	Grade 5
P0149.040-020-T5	M 4	20	2.8	6.0	7.6	4.5	3.10	TX-20	Grade 5
P0149.040-025-T5	M 4	25	2.8	6.0	7.6	4.5	3.10	TX-20	Grade 5
P0149.040-030-T5	M 4	30	2.8	6.0	7.6	4.5	3.10	TX-20	Grade 5
P0149.040-040-T5	M 4	40	2.8	6.0	7.6	4.5	3.10	TX-20	Grade 5
P0149.040-050-T5	M 4	50	2.8	6.0	7.6	4.5	3.10	TX-20	Grade 5
P0149.040-060-T5	M 4	60	2.8	6.0	7.6	4.5	3.10	TX-20	Grade 5
P0149.050-012-T5	M 5	12	3.7	7.5	9.5	5.5	3.70	TX-25	Grade 5
P0149.050-016-T5	M 5	16	3.7	7.5	9.5	5.5	3.70	TX-25	Grade 5
P0149.050-020-T5	M 5	20	3.7	7.5	9.5	5.5	3.70	TX-25	Grade 5
P0149.050-025-T5	M 5	25	3.7	7.5	9.5	5.5	3.70	TX-25	Grade 5
P0149.050-030-T5	M 5	30	3.7	7.5	9.5	5.5	3.70	TX-25	Grade 5
P0149.050-040-T5	M 5	40	3.7	7.5	9.5	5.5	3.70	TX-25	Grade 5
P0149.050-050-T5	M 5	50	3.7	7.5	9.5	5.5	3.70	TX-25	Grade 5
P0149.050-060-T5	M 5	60	3.7	7.5	9.5	5.5	3.70	TX-25	Grade 5
P0149.060-016-T5	M 6	16	4.2	7.5	10.5	6.5	4.70	TX-30	Grade 5
P0149.060-020-T5	M 6	20	4.2	7.5	10.5	6.5	4.70	TX-30	Grade 5
P0149.060-025-T5	M 6	25	4.2	7.5	10.5	6.5	4.70	TX-30	Grade 5
P0149.060-030-T5	M 6	30	4.2	7.5	10.5	6.5	4.70	TX-30	Grade 5
P0149.060-040-T5	M 6	40	4.2	7.5	10.5	6.5	4.70	TX-30	Grade 5
P0149.060-050-T5	M 6	50	4.2	7.5	10.5	6.5	4.70	TX-30	Grade 5
P0149.060-060-T5	M 6	60	4.2	7.5	10.5	6.5	4.70	TX-30	Grade 5
P0149.060-080-T5	M 6	80	4.2	7.5	10.5	6.5	4.70	TX-30	Grade 5

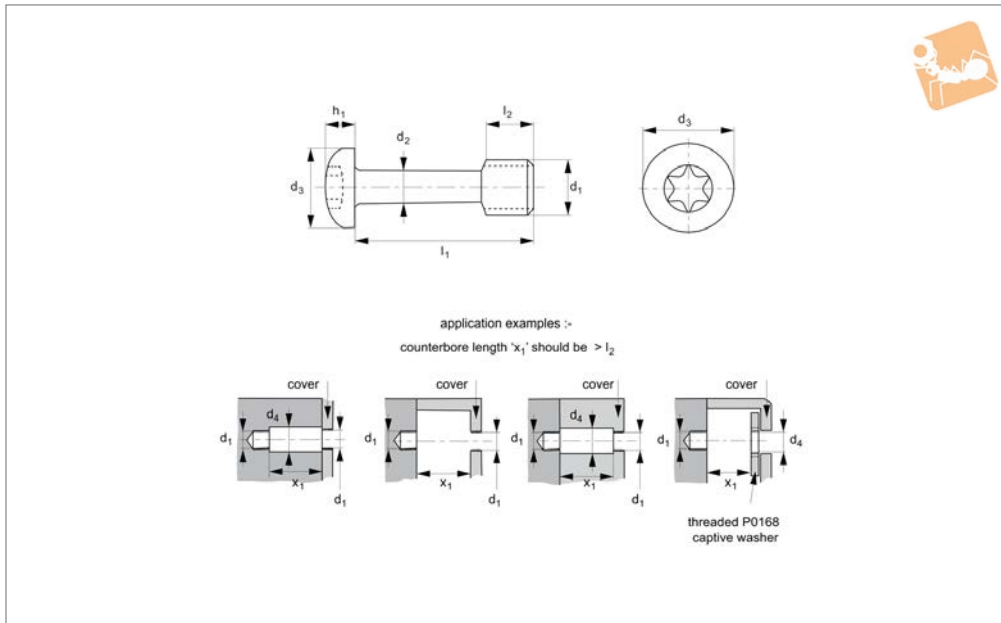


Captive Screws - Pan Head

TX drive - titanium



Captive Screws



P0150.Ti

MADE IN BRITAIN

CAPTIVE SCREWS

Material

Titanium grade 2 (tensile strength 345 N/mm²), or grade 5 (tensile strength 900 N/mm²). Also available on request in steel (anodised, black oxide or zinc plated), stainless steel (AISI 316, 1.440 or AISI 303, 1.4305), brass, aluminium etc.

Technical Notes

Used to comply with the Machinery Direc-

ive 2006/42/EC. Generally to ISO 14583. Often used with our captive washers (P0168) or retaining flanges (P0169 - for sheet metal applications). The use of our captive washers should be considered when fitted in panels with unthreaded holes.

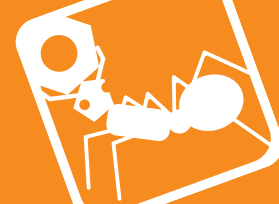
*M 8 sizes have a reduced TX size. T5 also available on request.

Replace -T2 with -T5 at the end of part number.

Important Notes

Please note that these screws have a reduced diameter shank and should not be tightened to the recommended torque for an equivalent machine screw of size d₁.

Order No.	d ₁	l ₁ ±0.25	d ₂ ±0.12	l ₂ ±0.25	d ₃ max.	d ₄ min.	h ₁ max.	TX size	Material
P0150.030-008-T2	M 3	8	2.0	4.5	6	3.5	2.5	TX-10	Grade 2
P0150.030-010-T2	M 3	10	2.0	4.5	6	3.5	2.5	TX-10	Grade 2
P0150.030-016-T2	M 3	16	2.0	4.5	6	3.5	2.5	TX-10	Grade 2
P0150.030-020-T2	M 3	20	2.0	4.5	6	3.5	2.5	TX-10	Grade 2
P0150.030-025-T2	M 3	25	2.0	4.5	6	3.5	2.5	TX-10	Grade 2
P0150.030-030-T2	M 3	30	2.0	4.5	6	3.5	2.5	TX-10	Grade 2
P0150.040-008-T2	M 4	8	2.8	6.0	8	4.5	3.2	TX-20	Grade 2
P0150.040-010-T2	M 4	10	2.8	6.0	8	4.5	3.2	TX-20	Grade 2
P0150.040-012-T2	M 4	12	2.8	6.0	8	4.5	3.2	TX-20	Grade 2
P0150.040-016-T2	M 4	16	2.8	6.0	8	4.5	3.2	TX-20	Grade 2
P0150.040-020-T2	M 4	20	2.8	6.0	8	4.5	3.2	TX-20	Grade 2
P0150.040-025-T2	M 4	25	2.8	6.0	8	4.5	3.2	TX-20	Grade 2
P0150.040-030-T2	M 4	30	2.8	6.0	8	4.5	3.2	TX-20	Grade 2
P0150.040-040-T2	M 4	40	2.8	6.0	8	4.5	3.2	TX-20	Grade 2
P0150.040-050-T2	M 4	50	2.8	6.0	8	4.5	3.2	TX-20	Grade 2
P0150.050-010-T2	M 5	10	3.7	7.5	10	5.5	3.9	TX-25	Grade 2
P0150.050-012-T2	M 5	12	3.7	7.5	10	5.5	3.9	TX-25	Grade 2
P0150.050-016-T2	M 5	16	3.7	7.5	10	5.5	3.9	TX-25	Grade 2
P0150.050-020-T2	M 5	20	3.7	7.5	10	5.5	3.9	TX-25	Grade 2
P0150.050-025-T2	M 5	25	3.7	7.5	10	5.5	3.9	TX-25	Grade 2
P0150.050-030-T2	M 5	30	3.7	7.5	10	5.5	3.9	TX-25	Grade 2
P0150.050-040-T2	M 5	40	3.7	7.5	10	5.5	3.9	TX-25	Grade 2
P0150.050-050-T2	M 5	50	3.7	7.5	10	5.5	3.9	TX-25	Grade 2
P0150.060-010-T2	M 6	10	4.2	7.5	12	6.5	4.7	TX-30	Grade 2
P0150.060-012-T2	M 6	12	4.2	7.5	12	6.5	4.7	TX-30	Grade 2
P0150.060-016-T2	M 6	16	4.2	7.5	12	6.5	4.7	TX-30	Grade 2
P0150.060-020-T2	M 6	20	4.2	7.5	12	6.5	4.7	TX-30	Grade 2
P0150.060-025-T2	M 6	25	4.2	7.5	12	6.5	4.7	TX-30	Grade 2



CAPTIVE SCREWS

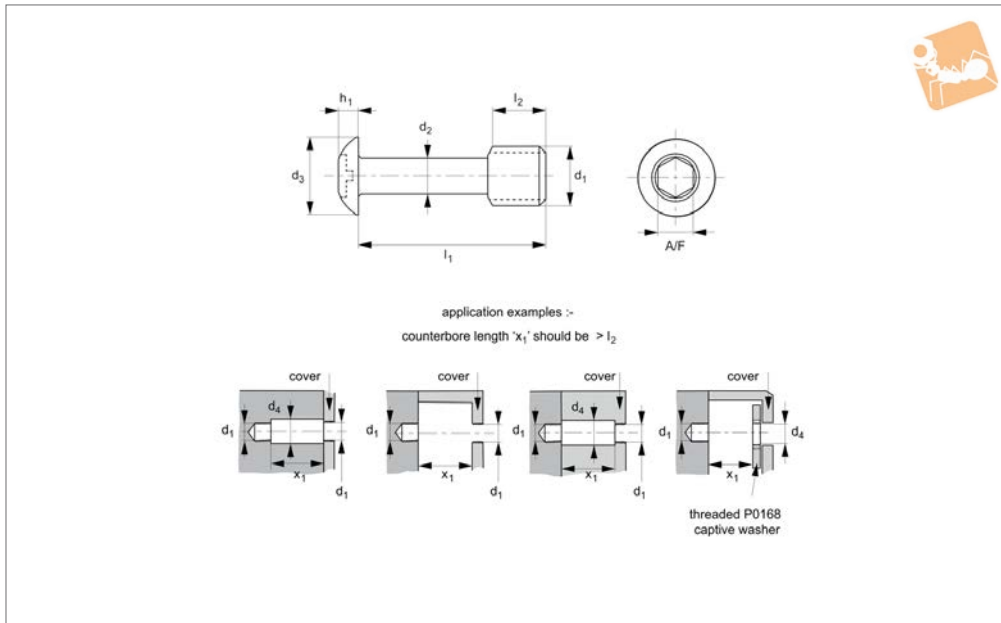
Order No.	d ₁	l ₁ ±0.25	d ₂ ±0.12	l ₂ ±0.25	d ₃ max.	d ₄ min.	h ₁ max.	TX size	Material
P0150.060-030-T2	M 6	30	4.2	7.5	12	6.5	4.7	TX-30	Grade 2
P0150.060-040-T2	M 6	40	4.2	7.5	12	6.5	4.7	TX-30	Grade 2
P0150.060-050-T2	M 6	50	4.2	7.5	12	6.5	4.7	TX-30	Grade 2
P0150.060-060-T2	M 6	60	4.2	7.5	12	6.5	4.7	TX-30	Grade 2
P0150.060-080-T2	M 6	80	4.2	7.5	12	6.5	4.7	TX-30	Grade 2
P0150.080-012-T2	M 8	12	6.0	10.0	16	8.5	6.1	TX-30*	Grade 2
P0150.080-016-T2	M 8	16	6.0	10.0	16	8.5	6.1	TX-30*	Grade 2
P0150.080-020-T2	M 8	20	6.0	10.0	16	8.5	6.1	TX-30*	Grade 2
P0150.080-025-T2	M 8	25	6.0	10.0	16	8.5	6.1	TX-30*	Grade 2
P0150.080-030-T2	M 8	30	6.0	10.0	16	8.5	6.1	TX-30*	Grade 2
P0150.080-035-T2	M 8	35	6.0	10.0	16	8.5	6.1	TX-30*	Grade 2
P0150.080-040-T2	M 8	40	6.0	10.0	16	8.5	6.1	TX-30*	Grade 2
P0150.080-045-T2	M 8	45	6.0	10.0	16	8.5	6.1	TX-30*	Grade 2
P0150.080-050-T2	M 8	50	6.0	10.0	16	8.5	6.1	TX-30*	Grade 2
P0150.080-060-T2	M 8	60	6.0	10.0	16	8.5	6.1	TX-30*	Grade 2
P0150.080-080-T2	M 8	80	6.0	10.0	16	8.5	6.1	TX-30*	Grade 2
P0150.030-008-T5	M 3	8	2.0	4.5	6	3.5	2.5	TX-10	Grade 5
P0150.030-010-T5	M 3	10	2.0	4.5	6	3.5	2.5	TX-10	Grade 5
P0150.030-016-T5	M 3	16	2.0	4.5	6	3.5	2.5	TX-10	Grade 5
P0150.030-020-T5	M 3	20	2.0	4.5	6	3.5	2.5	TX-10	Grade 5
P0150.030-025-T5	M 3	25	2.0	4.5	6	3.5	2.5	TX-10	Grade 5
P0150.030-030-T5	M 3	30	2.0	4.5	6	3.5	2.5	TX-10	Grade 5
P0150.040-008-T5	M 4	8	2.8	6.0	8	4.5	3.2	TX-20	Grade 5
P0150.040-010-T5	M 4	10	2.8	6.0	8	4.5	3.2	TX-20	Grade 5
P0150.040-012-T5	M 4	12	2.8	6.0	8	4.5	3.2	TX-20	Grade 5
P0150.040-016-T5	M 4	16	2.8	6.0	8	4.5	3.2	TX-20	Grade 5
P0150.040-020-T5	M 4	20	2.8	6.0	8	4.5	3.2	TX-20	Grade 5
P0150.040-025-T5	M 4	25	2.8	6.0	8	4.5	3.2	TX-20	Grade 5
P0150.040-030-T5	M 4	30	2.8	6.0	8	4.5	3.2	TX-20	Grade 5
P0150.040-040-T5	M 4	40	2.8	6.0	8	4.5	3.2	TX-20	Grade 5
P0150.040-050-T5	M 4	50	2.8	6.0	8	4.5	3.2	TX-20	Grade 5
P0150.050-010-T5	M 5	10	3.7	7.5	10	5.5	3.9	TX-25	Grade 5
P0150.050-012-T5	M 5	12	3.7	7.5	10	5.5	3.9	TX-25	Grade 5
P0150.050-016-T5	M 5	16	3.7	7.5	10	5.5	3.9	TX-25	Grade 5
P0150.050-020-T5	M 5	20	3.7	7.5	10	5.5	3.9	TX-25	Grade 5
P0150.050-025-T5	M 5	25	3.7	7.5	10	5.5	3.9	TX-25	Grade 5
P0150.050-030-T5	M 5	30	3.7	7.5	10	5.5	3.9	TX-25	Grade 5
P0150.050-040-T5	M 5	40	3.7	7.5	10	5.5	3.9	TX-25	Grade 5
P0150.050-050-T5	M 5	50	3.7	7.5	10	5.5	3.9	TX-25	Grade 5
P0150.060-010-T5	M 6	10	4.2	7.5	12	6.5	4.7	TX-30	Grade 5
P0150.060-012-T5	M 6	12	4.2	7.5	12	6.5	4.7	TX-30	Grade 5
P0150.060-016-T5	M 6	16	4.2	7.5	12	6.5	4.7	TX-30	Grade 5
P0150.060-020-T5	M 6	20	4.2	7.5	12	6.5	4.7	TX-30	Grade 5
P0150.060-025-T5	M 6	25	4.2	7.5	12	6.5	4.7	TX-30	Grade 5
P0150.060-030-T5	M 6	30	4.2	7.5	12	6.5	4.7	TX-30	Grade 5
P0150.060-040-T5	M 6	40	4.2	7.5	12	6.5	4.7	TX-30	Grade 5
P0150.060-050-T5	M 6	50	4.2	7.5	12	6.5	4.7	TX-30	Grade 5
P0150.060-060-T5	M 6	60	4.2	7.5	12	6.5	4.7	TX-30	Grade 5
P0150.060-080-T5	M 6	80	4.2	7.5	12	6.5	4.7	TX-30	Grade 5
P0150.080-012-T5	M 8	12	6.0	10.0	16	8.5	6.1	TX-30*	Grade 5
P0150.080-016-T5	M 8	16	6.0	10.0	16	8.5	6.1	TX-30*	Grade 5
P0150.080-020-T5	M 8	20	6.0	10.0	16	8.5	6.1	TX-30*	Grade 5
P0150.080-025-T5	M 8	25	6.0	10.0	16	8.5	6.1	TX-30*	Grade 5
P0150.080-030-T5	M 8	30	6.0	10.0	16	8.5	6.1	TX-30*	Grade 5
P0150.080-035-T5	M 8	35	6.0	10.0	16	8.5	6.1	TX-30*	Grade 5
P0150.080-040-T5	M 8	40	6.0	10.0	16	8.5	6.1	TX-30*	Grade 5
P0150.080-045-T5	M 8	45	6.0	10.0	16	8.5	6.1	TX-30*	Grade 5
P0150.080-050-T5	M 8	50	6.0	10.0	16	8.5	6.1	TX-30*	Grade 5
P0150.080-060-T5	M 8	60	6.0	10.0	16	8.5	6.1	TX-30*	Grade 5
P0150.080-080-T5	M 8	80	6.0	10.0	16	8.5	6.1	TX-30*	Grade 5



Captive Screws - Button Head

hex drive - titanium

Captive Screws



P0151.Ti

CAPTIVE SCREWS

Material

Titanium grade 2 (tensile strength 345 N/mm²), or grade 5 (tensile strength 900 N/mm²).

Also available on request in steel (anodised, black oxide or zinc plated) stainless steel (AISI 316, 1.440 or AISI 303, 1.4305), brass, aluminium etc.

Technical Notes

Used to comply with the Machinery Direc-

tive 2006/42/EC. Generally to ISO 7380-1. Often used with our captive washers (P0168) or retaining flanges (P0169 - for sheet metal applications). The use of our captive washers should be considered when fitted in panels with unthreaded holes.

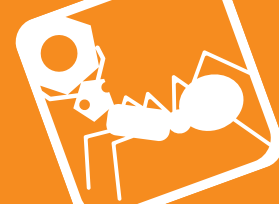
T5 also available on request.

Replace -T2 with -T5 at the end of part number.

Important Notes

Please note that these screws have a reduced diameter shank and should not be tightened to the recommended torque for an equivalent machine screw of size d_1 .

Order No.	d_1	l_1 ± 0.25	d_2 ± 0.12	l_2 ± 0.25	d_3 max.	d_4 min.	h_1 max.	A/F	Material
P0151.025-008-T2	M 2,5	8	1.7	3.7	4.5	2.8	1.50	1.5	Grade 2
P0151.025-010-T2	M 2,5	10	1.7	3.7	4.5	2.8	1.50	1.5	Grade 2
P0151.025-012-T2	M 2,5	12	1.7	3.7	4.5	2.8	1.50	1.5	Grade 2
P0151.025-016-T2	M 2,5	16	1.7	3.7	4.5	2.8	1.50	1.5	Grade 2
P0151.025-020-T2	M 2,5	20	1.7	3.7	4.5	2.8	1.50	1.5	Grade 2
P0151.030-008-T2	M 3	8	2.0	4.5	5.7	3.5	1.53	2	Grade 2
P0151.030-010-T2	M 3	10	2.0	4.5	5.7	3.5	1.53	2	Grade 2
P0151.030-016-T2	M 3	16	2.0	4.5	5.7	3.5	1.53	2	Grade 2
P0151.030-020-T2	M 3	20	2.0	4.5	5.7	3.5	1.53	2	Grade 2
P0151.030-025-T2	M 3	25	2.0	4.5	5.7	3.5	1.53	2	Grade 2
P0151.030-030-T2	M 3	30	2.0	4.5	5.7	3.5	1.53	2	Grade 2
P0151.030-040-T2	M 3	40	2.0	4.5	5.7	3.5	1.53	2	Grade 2
P0151.040-010-T2	M 4	10	2.8	6.0	7.6	4.5	2.10	2.5	Grade 2
P0151.040-012-T2	M 4	12	2.8	6.0	7.6	4.5	2.10	2.5	Grade 2
P0151.040-016-T2	M 4	16	2.8	6.0	7.6	4.5	2.10	2.5	Grade 2
P0151.040-020-T2	M 4	20	2.8	6.0	7.6	4.5	2.10	2.5	Grade 2
P0151.040-025-T2	M 4	25	2.8	6.0	7.6	4.5	2.10	2.5	Grade 2
P0151.040-030-T2	M 4	30	2.8	6.0	7.6	4.5	2.10	2.5	Grade 2
P0151.040-035-T2	M 4	35	2.8	6.0	7.6	4.5	2.10	2.5	Grade 2
P0151.040-040-T2	M 4	40	2.8	6.0	7.6	4.5	2.10	2.5	Grade 2
P0151.040-050-T2	M 4	50	2.8	6.0	7.6	4.5	2.10	2.5	Grade 2
P0151.040-060-T2	M 4	60	2.8	6.0	7.6	4.5	2.10	2.5	Grade 2
P0151.050-012-T2	M 5	12	3.7	7.5	9.5	5.5	2.63	3	Grade 2
P0151.050-016-T2	M 5	16	3.7	7.5	9.5	5.5	2.63	3	Grade 2
P0151.050-020-T2	M 5	20	3.7	7.5	9.5	5.5	2.63	3	Grade 2
P0151.050-025-T2	M 5	25	3.7	7.5	9.5	5.5	2.63	3	Grade 2



CAPTIVE SCREWS

Order No.	d ₁	l ₁ ±0.25	d ₂ ±0.12	l ₂ ±0.25	d ₃ max.	d ₄ min.	h ₁ max.	A/F	Material
P0151.050-030-T2	M 5	30	3.7	7.5	9.5	5.5	2.63	3	Grade 2
P0151.050-040-T2	M 5	40	3.7	7.5	9.5	5.5	2.63	3	Grade 2
P0151.050-050-T2	M 5	50	3.7	7.5	9.5	5.5	2.63	3	Grade 2
P0151.050-060-T2	M 5	60	3.7	7.5	9.5	5.5	2.63	3	Grade 2
P0151.060-012-T2	M 6	12	4.2	7.5	10.5	6.5	3.10	4	Grade 2
P0151.060-016-T2	M 6	16	4.2	7.5	10.5	6.5	3.10	4	Grade 2
P0151.060-020-T2	M 6	20	4.2	7.5	10.5	6.5	3.10	4	Grade 2
P0151.060-025-T2	M 6	25	4.2	7.5	10.5	6.5	3.10	4	Grade 2
P0151.060-030-T2	M 6	30	4.2	7.5	10.5	6.5	3.10	4	Grade 2
P0151.060-035-T2	M 6	35	4.2	7.5	10.5	6.5	3.10	4	Grade 2
P0151.060-040-T2	M 6	40	4.2	7.5	10.5	6.5	3.10	4	Grade 2
P0151.060-050-T2	M 6	50	4.2	7.5	10.5	6.5	3.10	4	Grade 2
P0151.060-060-T2	M 6	60	4.2	7.5	10.5	6.5	3.10	4	Grade 2
P0151.060-080-T2	M 6	80	4.2	7.5	10.5	6.5	3.10	4	Grade 2
P0151.080-016-T2	M 8	16	6.0	10.0	14.0	8.5	4.46	5	Grade 2
P0151.080-020-T2	M 8	20	6.0	10.0	14.0	8.5	4.46	5	Grade 2
P0151.080-025-T2	M 8	25	6.0	10.0	14.0	8.5	4.46	5	Grade 2
P0151.080-030-T2	M 8	30	6.0	10.0	14.0	8.5	4.46	5	Grade 2
P0151.080-035-T2	M 8	35	6.0	10.0	14.0	8.5	4.46	5	Grade 2
P0151.080-040-T2	M 8	40	6.0	10.0	14.0	8.5	4.46	5	Grade 2
P0151.080-045-T2	M 8	45	6.0	10.0	14.0	8.5	4.46	5	Grade 2
P0151.080-050-T2	M 8	50	6.0	10.0	14.0	8.5	4.46	5	Grade 2
P0151.080-060-T2	M 8	60	6.0	10.0	14.0	8.5	4.46	5	Grade 2
P0151.080-080-T2	M 8	80	6.0	10.0	14.0	8.5	4.46	5	Grade 2
P0151.100-020-T2	M 10	20	7.5	12.5	17.5	10.6	5.5	6	Grade 2
P0151.100-025-T2	M 10	25	7.5	12.5	17.5	10.6	5.5	6	Grade 2
P0151.100-030-T2	M 10	30	7.5	12.5	17.5	10.6	5.5	6	Grade 2
P0151.100-035-T2	M 10	35	7.5	12.5	17.5	10.6	5.5	6	Grade 2
P0151.100-040-T2	M 10	40	7.5	12.5	17.5	10.6	5.5	6	Grade 2
P0151.100-045-T2	M 10	45	7.5	12.5	17.5	10.6	5.5	6	Grade 2
P0151.100-050-T2	M 10	50	7.5	12.5	17.5	10.6	5.5	6	Grade 2
P0151.100-060-T2	M 10	60	7.5	12.5	17.5	10.6	5.5	6	Grade 2
P0151.100-080-T2	M 10	80	7.5	12.5	17.5	10.6	5.5	6	Grade 2
P0151.025-008-T5	M 2,5	8	1.7	3.7	4.5	2.8	1.50	1.5	Grade 5
P0151.025-010-T5	M 2,5	10	1.7	3.7	4.5	2.8	1.50	1.5	Grade 5
P0151.025-012-T5	M 2,5	12	1.7	3.7	4.5	2.8	1.50	1.5	Grade 5
P0151.025-016-T5	M 2,5	16	1.7	3.7	4.5	2.8	1.50	1.5	Grade 5
P0151.025-020-T5	M 2,5	20	1.7	3.7	4.5	2.8	1.50	1.5	Grade 5
P0151.030-008-T5	M 3	8	2.0	4.5	5.7	3.5	1.53	2	Grade 5
P0151.030-010-T5	M 3	10	2.0	4.5	5.7	3.5	1.53	2	Grade 5
P0151.030-016-T5	M 3	16	2.0	4.5	5.7	3.5	1.53	2	Grade 5
P0151.030-020-T5	M 3	20	2.0	4.5	5.7	3.5	1.53	2	Grade 5
P0151.030-025-T5	M 3	25	2.0	4.5	5.7	3.5	1.53	2	Grade 5
P0151.030-030-T5	M 3	30	2.0	4.5	5.7	3.5	1.53	2	Grade 5
P0151.030-040-T5	M 3	40	2.0	4.5	5.7	3.5	1.53	2	Grade 5
P0151.040-010-T5	M 4	10	2.8	6.0	7.6	4.5	2.10	2.5	Grade 5
P0151.040-012-T5	M 4	12	2.8	6.0	7.6	4.5	2.10	2.5	Grade 5
P0151.040-016-T5	M 4	16	2.8	6.0	7.6	4.5	2.10	2.5	Grade 5
P0151.040-020-T5	M 4	20	2.8	6.0	7.6	4.5	2.10	2.5	Grade 5
P0151.040-025-T5	M 4	25	2.8	6.0	7.6	4.5	2.10	2.5	Grade 5
P0151.040-030-T5	M 4	30	2.8	6.0	7.6	4.5	2.10	2.5	Grade 5
P0151.040-035-T5	M 4	35	2.8	6.0	7.6	4.5	2.10	2.5	Grade 5
P0151.040-040-T5	M 4	40	2.8	6.0	7.6	4.5	2.10	2.5	Grade 5
P0151.040-050-T5	M 4	50	2.8	6.0	7.6	4.5	2.10	2.5	Grade 5
P0151.040-060-T5	M 4	60	2.8	6.0	7.6	4.5	2.10	2.5	Grade 5
P0151.050-012-T5	M 5	12	3.7	7.5	9.5	5.5	2.63	3	Grade 5
P0151.050-016-T5	M 5	16	3.7	7.5	9.5	5.5	2.63	3	Grade 5
P0151.050-020-T5	M 5	20	3.7	7.5	9.5	5.5	2.63	3	Grade 5
P0151.050-025-T5	M 5	25	3.7	7.5	9.5	5.5	2.63	3	Grade 5
P0151.050-030-T5	M 5	30	3.7	7.5	9.5	5.5	2.63	3	Grade 5
P0151.050-040-T5	M 5	40	3.7	7.5	9.5	5.5	2.63	3	Grade 5
P0151.050-050-T5	M 5	50	3.7	7.5	9.5	5.5	2.63	3	Grade 5
P0151.050-060-T5	M 5	60	3.7	7.5	9.5	5.5	2.63	3	Grade 5
P0151.060-012-T5	M 6	12	4.2	7.5	10.5	6.5	3.10	4	Grade 5
P0151.060-016-T5	M 6	16	4.2	7.5	10.5	6.5	3.10	4	Grade 5
P0151.060-020-T5	M 6	20	4.2	7.5	10.5	6.5	3.10	4	Grade 5
P0151.060-025-T5	M 6	25	4.2	7.5	10.5	6.5	3.10	4	Grade 5
P0151.060-030-T5	M 6	30	4.2	7.5	10.5	6.5	3.10	4	Grade 5



Captive Screws - Button Head

hex drive - titanium

Captive Screws



Order No.	d ₁	l ₁ ±0.25	d ₂ ±0.12	l ₂ ±0.25	d ₃ max.	d ₄ min.	h ₁ max.	A/F	Material
P0151.060-035-T5	M 6	35	4.2	7.5	10.5	6.5	3.10	4	Grade 5
P0151.060-040-T5	M 6	40	4.2	7.5	10.5	6.5	3.10	4	Grade 5
P0151.060-050-T5	M 6	50	4.2	7.5	10.5	6.5	3.10	4	Grade 5
P0151.060-060-T5	M 6	60	4.2	7.5	10.5	6.5	3.10	4	Grade 5
P0151.060-080-T5	M 6	80	4.2	7.5	10.5	6.5	3.10	4	Grade 5
P0151.080-016-T5	M 8	16	6.0	10.0	14.0	8.5	4.46	5	Grade 5
P0151.080-020-T5	M 8	20	6.0	10.0	14.0	8.5	4.46	5	Grade 5
P0151.080-025-T5	M 8	25	6.0	10.0	14.0	8.5	4.46	5	Grade 5
P0151.080-030-T5	M 8	30	6.0	10.0	14.0	8.5	4.46	5	Grade 5
P0151.080-035-T5	M 8	35	6.0	10.0	14.0	8.5	4.46	5	Grade 5
P0151.080-040-T5	M 8	40	6.0	10.0	14.0	8.5	4.46	5	Grade 5
P0151.080-045-T5	M 8	45	6.0	10.0	14.0	8.5	4.46	5	Grade 5
P0151.080-050-T5	M 8	50	6.0	10.0	14.0	8.5	4.46	5	Grade 5
P0151.080-060-T5	M 8	60	6.0	10.0	14.0	8.5	4.46	5	Grade 5
P0151.080-080-T5	M 8	80	6.0	10.0	14.0	8.5	4.46	5	Grade 5
P0151.100-020-T5	M 10	20	7.5	12.5	17.5	10.6	5.5	6	Grade 5
P0151.100-025-T5	M 10	25	7.5	12.5	17.5	10.6	5.5	6	Grade 5
P0151.100-030-T5	M 10	30	7.5	12.5	17.5	10.6	5.5	6	Grade 5
P0151.100-035-T5	M 10	35	7.5	12.5	17.5	10.6	5.5	6	Grade 5
P0151.100-040-T5	M 10	40	7.5	12.5	17.5	10.6	5.5	6	Grade 5
P0151.100-045-T5	M 10	45	7.5	12.5	17.5	10.6	5.5	6	Grade 5
P0151.100-050-T5	M 10	50	7.5	12.5	17.5	10.6	5.5	6	Grade 5
P0151.100-060-T5	M 10	60	7.5	12.5	17.5	10.6	5.5	6	Grade 5
P0151.100-080-T5	M 10	80	7.5	12.5	17.5	10.6	5.5	6	Grade 5

CAPTIVE SCREWS

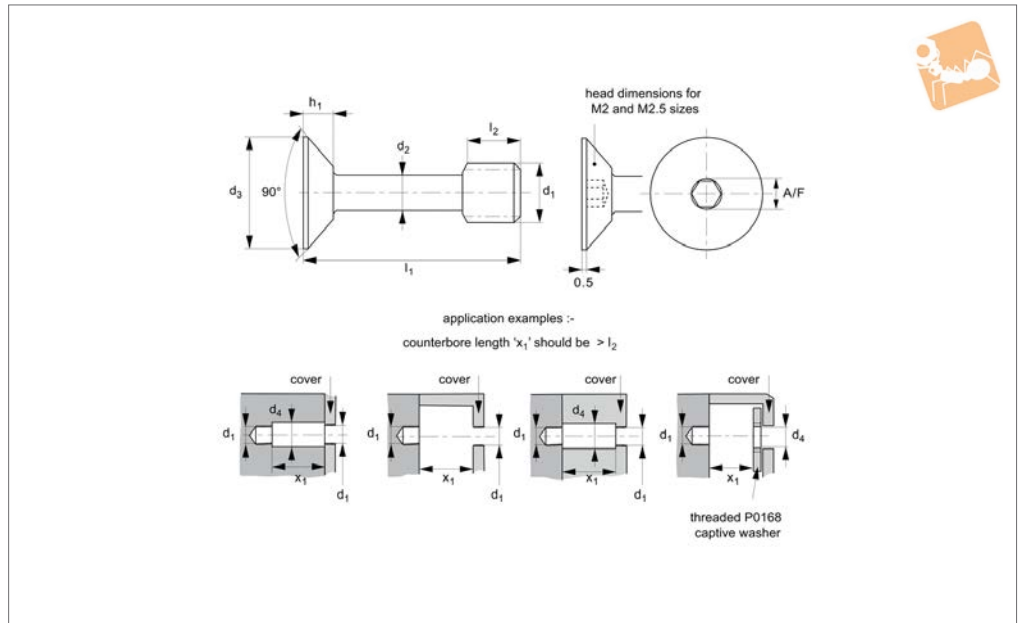


CAPTIVE SCREWS



P0153.Ti

MADE IN BRITAIN



Material

Titanium grade 2 (tensile strength 345 N/mm²), or grade 5 (tensile strength 900 N/mm²).

Also available on request in steel (anodised, black oxide or zinc plated), brass, aluminium etc.

Technical Notes

Used to comply with the Machinery Direc-

tive 2006/42/EC. Often used with our captive washers (P0168) or retaining flanges (P0169 - for sheet metal applications). The use of our captive washers should be considered when fitted in panels with unthreaded hole.

Important Notes

Please note that these screws have a reduced diameter shank and should not be

tightened to the recommended torque for an equivalent machine screw of size d₁. To accommodate the slight undercut at the top of the shank, the hex socket is smaller than on a similar threaded machine screw.

Order No.	d ₁	l ₁ ±0.25	d ₂ ±0.12	l ₂ ±0.25	d ₃ max.	d ₄ min.	h ₁ max.	A/F	Material
P0153.020-010-T2	M 2	10	1.2	3.5	3.8	2.5	1.20	1.0	Grade 2
P0153.020-012-T2	M 2	12	1.2	3.5	3.8	2.5	1.20	1.0	Grade 2
P0153.020-016-T2	M 2	16	1.2	3.5	3.8	2.5	1.20	1.0	Grade 2
P0153.020-020-T2	M 2	20	1.2	3.5	3.8	2.5	1.20	1.0	Grade 2
P0153.025-010-T2	M 2,5	10	1.7	3.7	4.7	2.8	1.80	1.3	Grade 2
P0153.025-012-T2	M 2,5	12	1.7	3.7	4.7	2.8	1.80	1.3	Grade 2
P0153.025-016-T2	M 2,5	16	1.7	3.7	4.7	2.8	1.80	1.3	Grade 2
P0153.025-020-T2	M 2,5	20	1.7	3.7	4.7	2.8	1.80	1.3	Grade 2
P0153.030-008-T2	M 3	8	2.0	4.5	5.6	3.5	1.65	1.5	Grade 2
P0153.030-010-T2	M 3	10	2.0	4.5	5.6	3.5	1.65	1.5	Grade 2
P0153.030-012-T2	M 3	12	2.0	4.5	5.6	3.5	1.65	1.5	Grade 2
P0153.030-016-T2	M 3	16	2.0	4.5	5.6	3.5	1.65	1.5	Grade 2
P0153.030-020-T2	M 3	20	2.0	4.5	5.6	3.5	1.65	1.5	Grade 2
P0153.030-025-T2	M 3	25	2.0	4.5	5.6	3.5	1.65	1.5	Grade 2
P0153.030-030-T2	M 3	30	2.0	4.5	5.6	3.5	1.65	1.5	Grade 2
P0153.030-035-T2	M 3	35	2.0	4.5	5.6	3.5	1.65	1.5	Grade 2
P0153.030-040-T2	M 3	40	2.0	4.5	5.6	3.5	1.65	1.5	Grade 2
P0153.040-010-T2	M 4	10	2.8	6.0	7.5	4.5	2.20	2.0	Grade 2
P0153.040-012-T2	M 4	12	2.8	6.0	7.5	4.5	2.20	2.0	Grade 2
P0153.040-014-T2	M 4	14	2.8	6.0	7.5	4.5	2.20	2.0	Grade 2
P0153.040-016-T2	M 4	16	2.8	6.0	7.5	4.5	2.20	2.0	Grade 2
P0153.040-020-T2	M 4	20	2.8	6.0	7.5	4.5	2.20	2.0	Grade 2
P0153.040-025-T2	M 4	25	2.8	6.0	7.5	4.5	2.20	2.0	Grade 2
P0153.040-030-T2	M 4	30	2.8	6.0	7.5	4.5	2.20	2.0	Grade 2
P0153.040-035-T2	M 4	35	2.8	6.0	7.5	4.5	2.20	2.0	Grade 2
P0153.040-040-T2	M 4	40	2.8	6.0	7.5	4.5	2.20	2.0	Grade 2
P0153.040-050-T2	M 4	50	2.8	6.0	7.5	4.5	2.20	2.0	Grade 2
P0153.040-060-T2	M 4	60	2.8	6.0	7.5	4.5	2.20	2.0	Grade 2



Captive Screws - Countersunk

hex drive - titanium



Order No.	d ₁	l ₁ ±0.25	d ₂ ±0.12	l ₂ ±0.25	d ₃ max.	d ₄ min.	h ₁ max.	A/F	Material
P0153.050-012-T2	M 5	12	3.7	7.5	9.2	5.5	2.50	2.5	Grade 2
P0153.050-014-T2	M 5	14	3.7	7.5	9.2	5.5	2.50	2.5	Grade 2
P0153.050-016-T2	M 5	16	3.7	7.5	9.2	5.5	2.50	2.5	Grade 2
P0153.050-020-T2	M 5	20	3.7	7.5	9.2	5.5	2.50	2.5	Grade 2
P0153.050-025-T2	M 5	25	3.7	7.5	9.2	5.5	2.50	2.5	Grade 2
P0153.050-030-T2	M 5	30	3.7	7.5	9.2	5.5	2.50	2.5	Grade 2
P0153.050-035-T2	M 5	35	3.7	7.5	9.2	5.5	2.50	2.5	Grade 2
P0153.050-040-T2	M 5	40	3.7	7.5	9.2	5.5	2.50	2.5	Grade 2
P0153.050-050-T2	M 5	50	3.7	7.5	9.2	5.5	2.50	2.5	Grade 2
P0153.050-060-T2	M 5	60	3.7	7.5	9.2	5.5	2.50	2.5	Grade 2
P0153.060-016-T2	M 6	16	4.2	8.0	11.0	6.5	3.00	3.0	Grade 2
P0153.060-020-T2	M 6	20	4.2	8.0	11.0	6.5	3.00	3.0	Grade 2
P0153.060-025-T2	M 6	25	4.2	8.0	11.0	6.5	3.00	3.0	Grade 2
P0153.060-030-T2	M 6	30	4.2	8.0	11.0	6.5	3.00	3.0	Grade 2
P0153.060-035-T2	M 6	35	4.2	8.0	11.0	6.5	3.00	3.0	Grade 2
P0153.060-040-T2	M 6	40	4.2	8.0	11.0	6.5	3.00	3.0	Grade 2
P0153.060-050-T2	M 6	50	4.2	8.0	11.0	6.5	3.00	3.0	Grade 2
P0153.060-060-T2	M 6	60	4.2	8.0	11.0	6.5	3.00	3.0	Grade 2
P0153.080-020-T2	M 8	20	6.0	10.0	15.0	8.5	4.10	4.0	Grade 2
P0153.080-025-T2	M 8	25	6.0	10.0	15.0	8.5	4.10	4.0	Grade 2
P0153.080-030-T2	M 8	30	6.0	10.0	15.0	8.5	4.10	4.0	Grade 2
P0153.080-040-T2	M 8	40	6.0	10.0	15.0	8.5	4.10	4.0	Grade 2
P0153.080-050-T2	M 8	50	6.0	10.0	15.0	8.5	4.10	4.0	Grade 2
P0153.080-060-T2	M 8	60	6.0	10.0	15.0	8.5	4.10	4.0	Grade 2
P0153.020-010-T5	M 2	10	1.2	3.5	3.8	2.5	1.20	1.0	Grade 5
P0153.020-012-T5	M 2	12	1.2	3.5	3.8	2.5	1.20	1.0	Grade 5
P0153.020-016-T5	M 2	16	1.2	3.5	3.8	2.5	1.20	1.0	Grade 5
P0153.020-020-T5	M 2	20	1.2	3.5	3.8	2.5	1.20	1.0	Grade 5
P0153.025-010-T5	M 2,5	10	1.7	3.7	4.7	2.8	1.80	1.3	Grade 5
P0153.025-012-T5	M 2,5	12	1.7	3.7	4.7	2.8	1.80	1.3	Grade 5
P0153.025-016-T5	M 2,5	16	1.7	3.7	4.7	2.8	1.80	1.3	Grade 5
P0153.025-020-T5	M 2,5	20	1.7	3.7	4.7	2.8	1.80	1.3	Grade 5
P0153.030-008-T5	M 3	8	2.0	4.5	5.6	3.5	1.65	1.5	Grade 5
P0153.030-010-T5	M 3	10	2.0	4.5	5.6	3.5	1.65	1.5	Grade 5
P0153.030-012-T5	M 3	12	2.0	4.5	5.6	3.5	1.65	1.5	Grade 5
P0153.030-016-T5	M 3	16	2.0	4.5	5.6	3.5	1.65	1.5	Grade 5
P0153.030-020-T5	M 3	20	2.0	4.5	5.6	3.5	1.65	1.5	Grade 5
P0153.030-025-T5	M 3	25	2.0	4.5	5.6	3.5	1.65	1.5	Grade 5
P0153.030-030-T5	M 3	30	2.0	4.5	5.6	3.5	1.65	1.5	Grade 5
P0153.030-035-T5	M 3	35	2.0	4.5	5.6	3.5	1.65	1.5	Grade 5
P0153.030-040-T5	M 3	40	2.0	4.5	5.6	3.5	1.65	1.5	Grade 5
P0153.040-010-T5	M 4	10	2.8	6.0	7.5	4.5	2.20	2.0	Grade 5
P0153.040-012-T5	M 4	12	2.8	6.0	7.5	4.5	2.20	2.0	Grade 5
P0153.040-014-T5	M 4	14	2.8	6.0	7.5	4.5	2.20	2.0	Grade 5
P0153.040-016-T5	M 4	16	2.8	6.0	7.5	4.5	2.20	2.0	Grade 5
P0153.040-020-T5	M 4	20	2.8	6.0	7.5	4.5	2.20	2.0	Grade 5
P0153.040-025-T5	M 4	25	2.8	6.0	7.5	4.5	2.20	2.0	Grade 5
P0153.040-030-T5	M 4	30	2.8	6.0	7.5	4.5	2.20	2.0	Grade 5
P0153.040-035-T5	M 4	35	2.8	6.0	7.5	4.5	2.20	2.0	Grade 5
P0153.040-040-T5	M 4	40	2.8	6.0	7.5	4.5	2.20	2.0	Grade 5
P0153.040-050-T5	M 4	50	2.8	6.0	7.5	4.5	2.20	2.0	Grade 5
P0153.040-060-T5	M 4	60	2.8	6.0	7.5	4.5	2.20	2.0	Grade 5
P0153.050-012-T5	M 5	12	3.7	7.5	9.2	5.5	2.50	2.5	Grade 5
P0153.050-014-T5	M 5	12	3.7	7.5	9.2	5.5	2.50	2.5	Grade 5
P0153.050-016-T5	M 5	16	3.7	7.5	9.2	5.5	2.50	2.5	Grade 5
P0153.050-020-T5	M 5	20	3.7	7.5	9.2	5.5	2.50	2.5	Grade 5
P0153.050-025-T5	M 5	25	3.7	7.5	9.2	5.5	2.50	2.5	Grade 5
P0153.050-030-T5	M 5	30	3.7	7.5	9.2	5.5	2.50	2.5	Grade 5
P0153.050-035-T5	M 5	35	3.7	7.5	9.2	5.5	2.50	2.5	Grade 5
P0153.050-040-T5	M 5	40	3.7	7.5	9.2	5.5	2.50	2.5	Grade 5
P0153.050-050-T5	M 5	50	3.7	7.5	9.2	5.5	2.50	2.5	Grade 5
P0153.050-060-T5	M 5	60	3.7	7.5	9.2	5.5	2.50	2.5	Grade 5
P0153.060-016-T5	M 6	16	4.2	8.0	11.0	6.5	3.00	3.0	Grade 5
P0153.060-020-T5	M 6	20	4.2	8.0	11.0	6.5	3.00	3.0	Grade 5
P0153.060-025-T5	M 6	25	4.2	8.0	11.0	6.5	3.00	3.0	Grade 5
P0153.060-030-T5	M 6	30	4.2	8.0	11.0	6.5	3.00	3.0	Grade 5
P0153.060-035-T5	M 6	35	4.2	8.0	11.0	6.5	3.00	3.0	Grade 5
P0153.060-040-T5	M 6	40	4.2	8.0	11.0	6.5	3.00	3.0	Grade 5

CAPTIVE SCREWS

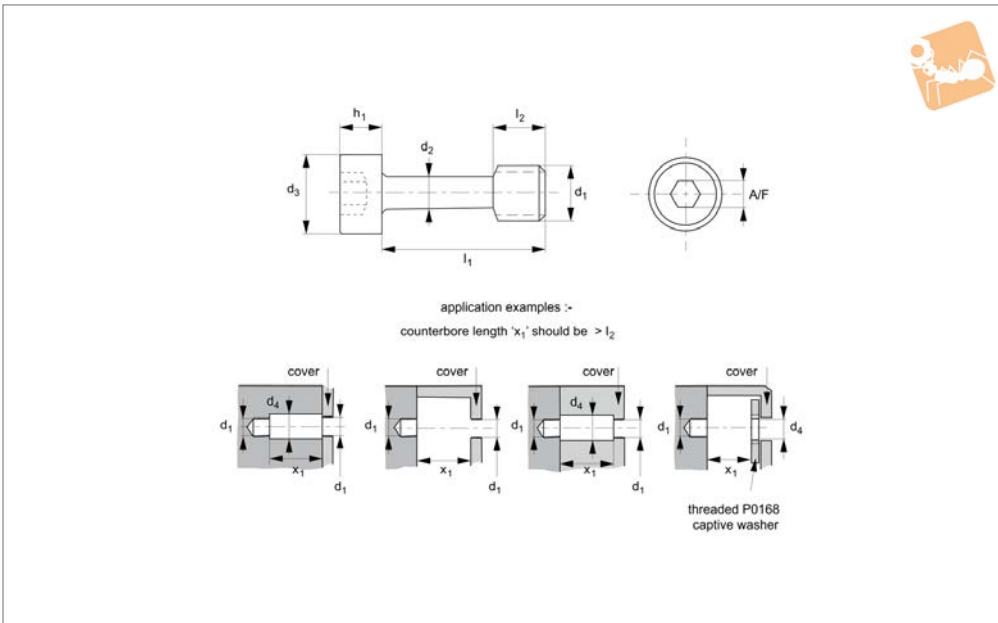


Order No.	d ₁	l ₁ ±0.25	d ₂ ±0.12	l ₂ ±0.25	d ₃ max.	d ₄ min.	h ₁ max.	A/F	Material
P0153.060-050-T5	M 6	50	4.2	8.0	11.0	6.5	3.00	3.0	Grade 5
P0153.060-060-T5	M 6	60	4.2	8.0	11.0	6.5	3.00	3.0	Grade 5
P0153.080-020-T5	M 8	20	6.0	10.0	15.0	8.5	4.10	4.0	Grade 5
P0153.080-025-T5	M 8	25	6.0	10.0	15.0	8.5	4.10	4.0	Grade 5
P0153.080-030-T5	M 8	30	6.0	10.0	15.0	8.5	4.10	4.0	Grade 5
P0153.080-040-T5	M 8	40	6.0	10.0	15.0	8.5	4.10	4.0	Grade 5
P0153.080-050-T5	M 8	50	6.0	10.0	15.0	8.5	4.10	4.0	Grade 5
P0153.080-060-T5	M 8	60	6.0	10.0	15.0	8.5	4.10	4.0	Grade 5



Captive Screws - Cap Head

hex drive - titanium



P0154.Ti

CAPTIVE SCREWS

Material

Titanium grade 2 (tensile strength 345 N/mm²), or grade 5 (tensile strength 900 N/mm²).

Also available on request in steel (anodised, black oxide or zinc plated) stainless steel (AISI 316, 1.440 or AISI 303, 1.4305), brass, aluminium etc.

Technical Notes

Used to comply with the Machinery Direc-

tive 2006/42/EC. Generally to ISO 4762. Often used with our captive washer (P0168) or retaining flanges (P0169 - for sheet metal applications). The use of our captive washer should be considered when fitted in panels with unthreaded holes. T5 also available on request. Replace -T2 with -T5 at the end of part number.

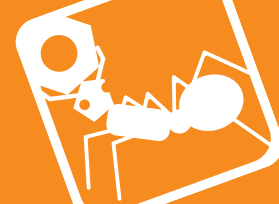
Tips

For TX drive style, see P0156.

Important Notes

Please note that these screws have a reduced diameter shank and should not be tightened to the recommended torque for an equivalent machine screw of size d₁.

Order No.	d ₁	l ₁ ±0.25	d ₂ ±0.12	l ₂ ±0.25	d ₃ max.	d ₄ min.	h ₁ max.	A/F	Material
P0154.025-005-T2	M 2,5	5	1.8	3.0	4.5	2.8	2.5	2	Grade 2
P0154.025-008-T2	M 2,5	8	1.8	3.0	4.5	2.8	2.5	2	Grade 2
P0154.025-010-T2	M 2,5	10	1.8	3.0	4.5	2.8	2.5	2	Grade 2
P0154.025-012-T2	M 2,5	12	1.8	3.0	4.5	2.8	2.5	2	Grade 2
P0154.030-008-T2	M 3	8	2.0	4.5	5.5	3.5	3.0	2.5	Grade 2
P0154.030-010-T2	M 3	10	2.0	4.5	5.5	3.5	3.0	2.5	Grade 2
P0154.030-012-T2	M 3	12	2.0	4.5	5.5	3.5	3.0	2.5	Grade 2
P0154.030-016-T2	M 3	16	2.0	4.5	5.5	3.5	3.0	2.5	Grade 2
P0154.030-020-T2	M 3	20	2.0	4.5	5.5	3.5	3.0	2.5	Grade 2
P0154.030-025-T2	M 3	25	2.0	4.5	5.5	3.5	3.0	2.5	Grade 2
P0154.030-030-T2	M 3	30	2.0	4.5	5.5	3.5	3.0	2.5	Grade 2
P0154.040-010-T2	M 4	10	2.8	6.0	7.0	4.5	4.0	3	Grade 2
P0154.040-012-T2	M 4	12	2.8	6.0	7.0	4.5	4.0	3	Grade 2
P0154.040-016-T2	M 4	16	2.8	6.0	7.0	4.5	4.0	3	Grade 2
P0154.040-020-T2	M 4	20	2.8	6.0	7.0	4.5	4.0	3	Grade 2
P0154.040-025-T2	M 4	25	2.8	6.0	7.0	4.5	4.0	3	Grade 2
P0154.040-030-T2	M 4	30	2.8	6.0	7.0	4.5	4.0	3	Grade 2
P0154.040-035-T2	M 4	35	2.8	6.0	7.0	4.5	4.0	3	Grade 2
P0154.040-040-T2	M 4	40	2.8	6.0	7.0	4.5	4.0	3	Grade 2
P0154.040-050-T2	M 4	50	2.8	6.0	7.0	4.5	4.0	3	Grade 2
P0154.050-012-T2	M 5	12	3.7	7.5	8.5	5.5	5.0	4	Grade 2
P0154.050-016-T2	M 5	16	3.7	7.5	8.5	5.5	5.0	4	Grade 2
P0154.050-020-T2	M 5	20	3.7	7.5	8.5	5.5	5.0	4	Grade 2
P0154.050-025-T2	M 5	25	3.7	7.5	8.5	5.5	5.0	4	Grade 2
P0154.050-030-T2	M 5	30	3.7	7.5	8.5	5.5	5.0	4	Grade 2
P0154.050-035-T2	M 5	35	3.7	7.5	8.5	5.5	5.0	4	Grade 2



CAPTIVE SCREWS

Order No.	d ₁	l ₁ ±0.25	d ₂ ±0.12	l ₂ ±0.25	d ₃ max.	d ₄ min.	h ₁ max.	A/F	Material
P0154.050-040-T2	M 5	40	3.7	7.5	8.5	5.5	5.0	4	Grade 2
P0154.050-050-T2	M 5	50	3.7	7.5	8.5	5.5	5.0	4	Grade 2
P0154.060-012-T2	M 6	12	4.2	7.5	10.0	6.5	6.0	5	Grade 2
P0154.060-016-T2	M 6	16	4.2	7.5	10.0	6.5	6.0	5	Grade 2
P0154.060-020-T2	M 6	20	4.2	7.5	10.0	6.5	6.0	5	Grade 2
P0154.060-025-T2	M 6	25	4.2	7.5	10.0	6.5	6.0	5	Grade 2
P0154.060-030-T2	M 6	30	4.2	7.5	10.0	6.5	6.0	5	Grade 2
P0154.060-035-T2	M 6	35	4.2	7.5	10.0	6.5	6.0	5	Grade 2
P0154.060-040-T2	M 6	40	4.2	7.5	10.0	6.5	6.0	5	Grade 2
P0154.060-050-T2	M 6	50	4.2	7.5	10.0	6.5	6.0	5	Grade 2
P0154.060-060-T2	M 6	60	4.2	7.5	10.0	6.5	6.0	5	Grade 2
P0154.060-080-T2	M 6	80	4.2	7.5	10.0	6.5	6.0	5	Grade 2
P0154.080-016-T2	M 8	16	6.0	10.0	13.0	8.5	8.0	6	Grade 2
P0154.080-020-T2	M 8	20	6.0	10.0	13.0	8.5	8.0	6	Grade 2
P0154.080-025-T2	M 8	25	6.0	10.0	13.0	8.5	8.0	6	Grade 2
P0154.080-030-T2	M 8	30	6.0	10.0	13.0	8.5	8.0	6	Grade 2
P0154.080-035-T2	M 8	35	6.0	10.0	13.0	8.5	8.0	6	Grade 2
P0154.080-040-T2	M 8	40	6.0	10.0	13.0	8.5	8.0	6	Grade 2
P0154.080-045-T2	M 8	45	6.0	10.0	13.0	8.5	8.0	6	Grade 2
P0154.080-050-T2	M 8	50	6.0	10.0	13.0	8.5	8.0	6	Grade 2
P0154.080-060-T2	M 8	60	6.0	10.0	13.0	8.5	8.0	6	Grade 2
P0154.080-080-T2	M 8	80	6.0	10.0	13.0	8.5	8.0	6	Grade 2
P0154.100-020-T2	M10	20	7.5	12.5	16.0	10.6	10.0	8	Grade 2
P0154.100-025-T2	M10	25	7.5	12.5	16.0	10.6	10.0	8	Grade 2
P0154.100-030-T2	M10	30	7.5	12.5	16.0	10.6	10.0	8	Grade 2
P0154.100-035-T2	M10	35	7.5	12.5	16.0	10.6	10.0	8	Grade 2
P0154.100-040-T2	M10	40	7.5	12.5	16.0	10.6	10.0	8	Grade 2
P0154.100-045-T2	M10	45	7.5	12.5	16.0	10.6	10.0	8	Grade 2
P0154.100-050-T2	M10	50	7.5	12.5	16.0	10.6	10.0	8	Grade 2
P0154.100-060-T2	M10	60	7.5	12.5	16.0	10.6	10.0	8	Grade 2
P0154.100-080-T2	M10	80	7.5	12.5	16.0	10.6	10.0	8	Grade 2
P0154.120-025-T2	M12	25	8.0	15.0	18.0	13.2	12.0	10	Grade 2
P0154.120-030-T2	M12	30	8.0	15.0	18.0	13.2	12.0	10	Grade 2
P0154.120-035-T2	M12	35	8.0	15.0	18.0	13.2	12.0	10	Grade 2
P0154.120-040-T2	M12	40	8.0	15.0	18.0	13.2	12.0	10	Grade 2
P0154.120-045-T2	M12	45	8.0	15.0	18.0	13.2	12.0	10	Grade 2
P0154.120-050-T2	M12	50	8.0	15.0	18.0	13.2	12.0	10	Grade 2
P0154.120-060-T2	M12	60	8.0	15.0	18.0	13.2	12.0	10	Grade 2
P0154.120-080-T2	M12	80	8.0	15.0	18.0	13.2	12.0	10	Grade 2
P0154.160-030-T2	M16	30	12.0	20.0	24.0	17.5	16.0	14	Grade 2
P0154.160-035-T2	M16	35	12.0	20.0	24.0	17.5	16.0	14	Grade 2
P0154.160-040-T2	M16	40	12.0	20.0	24.0	17.5	16.0	14	Grade 2
P0154.160-045-T2	M16	45	12.0	20.0	24.0	17.5	16.0	14	Grade 2
P0154.160-050-T2	M16	50	12.0	20.0	24.0	17.5	16.0	14	Grade 2
P0154.160-060-T2	M16	60	12.0	20.0	24.0	17.5	16.0	14	Grade 2
P0154.160-080-T2	M16	80	12.0	20.0	24.0	17.5	16.0	14	Grade 2
P0154.160-100-T2	M16	100	12.0	20.0	24.0	17.5	16.0	14	Grade 2
P0154.200-040-T2	M20	40	16.0	25.0	30.0	22.0	20.0	19	Grade 2
P0154.200-060-T2	M20	60	16.0	25.0	30.0	22.0	20.0	19	Grade 2
P0154.200-080-T2	M20	80	16.0	25.0	30.0	22.0	20.0	19	Grade 2
P0154.200-100-T2	M20	100	16.0	25.0	30.0	22.0	20.0	19	Grade 2
P0154.200-120-T2	M20	120	16.0	25.0	30.0	22.0	20.0	19	Grade 2
P0154.025-005-T5	M 2,5	5	1.8	3.0	4.5	2.8	2.5	2	Grade 5
P0154.025-008-T5	M 2,5	8	1.8	3.0	4.5	2.8	2.5	2	Grade 5
P0154.025-010-T5	M 2,5	10	1.8	3.0	4.5	2.8	2.5	2	Grade 5
P0154.025-012-T5	M 2,5	12	1.8	3.0	4.5	2.8	2.5	2	Grade 5
P0154.030-008-T5	M 3	8	2.0	4.5	5.5	3.5	3.0	3	Grade 5
P0154.030-010-T5	M 3	10	2.0	4.5	5.5	3.5	3.0	3	Grade 5
P0154.030-012-T5	M 3	12	2.0	4.5	5.5	3.5	3.0	3	Grade 5
P0154.030-016-T5	M 3	16	2.0	4.5	5.5	3.5	3.0	3	Grade 5
P0154.030-020-T5	M 3	20	2.0	4.5	5.5	3.5	3.0	3	Grade 5
P0154.030-025-T5	M 3	25	2.0	4.5	5.5	3.5	3.0	3	Grade 5
P0154.030-030-T5	M 3	30	2.0	4.5	5.5	3.5	3.0	3	Grade 5
P0154.040-010-T5	M 4	10	2.8	6.0	7.0	4.5	4.0	3	Grade 5
P0154.040-012-T5	M 4	12	2.8	6.0	7.0	4.5	4.0	3	Grade 5
P0154.040-016-T5	M 4	16	2.8	6.0	7.0	4.5	4.0	3	Grade 5
P0154.040-020-T5	M 4	20	2.8	6.0	7.0	4.5	4.0	3	Grade 5
P0154.040-025-T5	M 4	25	2.8	6.0	7.0	4.5	4.0	3	Grade 5



Captive Screws - Cap Head

hex drive - titanium



Captive Screws

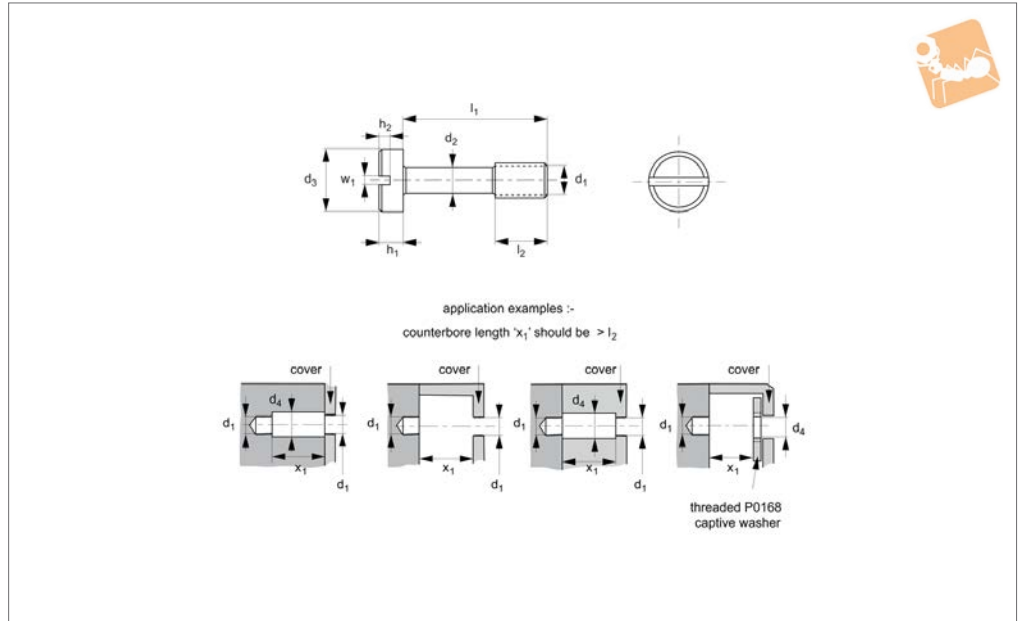
Order No.	d ₁	l ₁ ±0.25	d ₂ ±0.12	l ₂ ±0.25	d ₃ max.	d ₄ min.	h ₁ max.	A/F	Material
P0154.040-030-T5	M 4	30	2.8	6.0	7.0	4.5	4.0	3	Grade 5
P0154.040-035-T5	M 4	35	2.8	6.0	7.0	4.5	4.0	3	Grade 5
P0154.040-040-T5	M 4	40	2.8	6.0	7.0	4.5	4.0	3	Grade 5
P0154.040-050-T5	M 4	50	2.8	6.0	7.0	4.5	4.0	3	Grade 5
P0154.050-012-T5	M 5	12	3.7	7.5	8.5	5.5	5.0	4	Grade 5
P0154.050-016-T5	M 5	16	3.7	7.5	8.5	5.5	5.0	4	Grade 5
P0154.050-020-T5	M 5	20	3.7	7.5	8.5	5.5	5.0	4	Grade 5
P0154.050-025-T5	M 5	25	3.7	7.5	8.5	5.5	5.0	4	Grade 5
P0154.050-030-T5	M 5	30	3.7	7.5	8.5	5.5	5.0	4	Grade 5
P0154.050-035-T5	M 5	35	3.7	7.5	8.5	5.5	5.0	4	Grade 5
P0154.050-040-T5	M 5	40	3.7	7.5	8.5	5.5	5.0	4	Grade 5
P0154.050-050-T5	M 5	50	3.7	7.5	8.5	5.5	5.0	4	Grade 5
P0154.060-012-T5	M 6	12	4.2	7.5	10.0	6.5	6.0	5	Grade 5
P0154.060-016-T5	M 6	16	4.2	7.5	10.0	6.5	6.0	5	Grade 5
P0154.060-020-T5	M 6	20	4.2	7.5	10.0	6.5	6.0	5	Grade 5
P0154.060-025-T5	M 6	25	4.2	7.5	10.0	6.5	6.0	5	Grade 5
P0154.060-030-T5	M 6	30	4.2	7.5	10.0	6.5	6.0	5	Grade 5
P0154.060-035-T5	M 6	35	4.2	7.5	10.0	6.5	6.0	5	Grade 5
P0154.060-040-T5	M 6	40	4.2	7.5	10.0	6.5	6.0	5	Grade 5
P0154.060-050-T5	M 6	50	4.2	7.5	10.0	6.5	6.0	5	Grade 5
P0154.060-060-T5	M 6	60	4.2	7.5	10.0	6.5	6.0	5	Grade 5
P0154.060-080-T5	M 6	80	4.2	7.5	10.0	6.5	6.0	5	Grade 5
P0154.080-016-T5	M 8	16	6.0	10.0	13.0	8.5	8.0	6	Grade 5
P0154.080-020-T5	M 8	20	6.0	10.0	13.0	8.5	8.0	6	Grade 5
P0154.080-025-T5	M 8	25	6.0	10.0	13.0	8.5	8.0	6	Grade 5
P0154.080-030-T5	M 8	30	6.0	10.0	13.0	8.5	8.0	6	Grade 5
P0154.080-035-T5	M 8	35	6.0	10.0	13.0	8.5	8.0	6	Grade 5
P0154.080-040-T5	M 8	40	6.0	10.0	13.0	8.5	8.0	6	Grade 5
P0154.080-045-T5	M 8	45	6.0	10.0	13.0	8.5	8.0	6	Grade 5
P0154.080-050-T5	M 8	50	6.0	10.0	13.0	8.5	8.0	6	Grade 5
P0154.080-060-T5	M 8	60	6.0	10.0	13.0	8.5	8.0	6	Grade 5
P0154.080-080-T5	M 8	80	6.0	10.0	13.0	8.5	8.0	6	Grade 5
P0154.100-020-T5	M10	20	7.5	12.5	16.0	10.6	10.0	8	Grade 5
P0154.100-025-T5	M10	25	7.5	12.5	16.0	10.6	10.0	8	Grade 5
P0154.100-030-T5	M10	30	7.5	12.5	16.0	10.6	10.0	8	Grade 5
P0154.100-035-T5	M10	35	7.5	12.5	16.0	10.6	10.0	8	Grade 5
P0154.100-040-T5	M10	40	7.5	12.5	16.0	10.6	10.0	8	Grade 5
P0154.100-045-T5	M10	45	7.5	12.5	16.0	10.6	10.0	8	Grade 5
P0154.100-050-T5	M10	50	7.5	12.5	16.0	10.6	10.0	8	Grade 5
P0154.100-060-T5	M10	60	7.5	12.5	16.0	10.6	10.0	8	Grade 5
P0154.100-080-T5	M10	80	7.5	12.5	16.0	10.6	10.0	8	Grade 5
P0154.120-025-T5	M12	25	8.0	15.0	18.0	13.2	12.0	10	Grade 5
P0154.120-030-T5	M12	30	8.0	15.0	18.0	13.2	12.0	10	Grade 5
P0154.120-035-T5	M12	35	8.0	15.0	18.0	13.2	12.0	10	Grade 5
P0154.120-040-T5	M12	40	8.0	15.0	18.0	13.2	12.0	10	Grade 5
P0154.120-045-T5	M12	45	8.0	15.0	18.0	13.2	12.0	10	Grade 5
P0154.120-050-T5	M12	50	8.0	15.0	18.0	13.2	12.0	10	Grade 5
P0154.120-060-T5	M12	60	8.0	15.0	18.0	13.2	12.0	10	Grade 5
P0154.120-080-T5	M12	80	8.0	15.0	18.0	13.2	12.0	10	Grade 5
P0154.160-030-T5	M16	30	12.0	20.0	24.0	17.5	16.0	14	Grade 5
P0154.160-035-T5	M16	35	12.0	20.0	24.0	17.5	16.0	14	Grade 5
P0154.160-040-T5	M16	40	12.0	20.0	24.0	17.5	16.0	14	Grade 5
P0154.160-045-T5	M16	45	12.0	20.0	24.0	17.5	16.0	14	Grade 5
P0154.160-050-T5	M16	50	12.0	20.0	24.0	17.5	16.0	14	Grade 5
P0154.160-060-T5	M16	60	12.0	20.0	24.0	17.5	16.0	14	Grade 5
P0154.160-080-T5	M16	80	12.0	20.0	24.0	17.5	16.0	14	Grade 5
P0154.160-100-T5	M16	100	12.0	20.0	24.0	17.5	16.0	14	Grade 5
P0154.200-040-T5	M20	40	16.0	25.0	30.0	22.0	20.0	19	Grade 5
P0154.200-060-T5	M20	60	16.0	25.0	30.0	22.0	20.0	19	Grade 5
P0154.200-080-T5	M20	80	16.0	25.0	30.0	22.0	20.0	19	Grade 5
P0154.200-100-T5	M20	100	16.0	25.0	30.0	22.0	20.0	19	Grade 5
P0154.200-120-T5	M20	120	16.0	25.0	30.0	22.0	20.0	19	Grade 5

CAPTIVE SCREWS



P0155.Ti

MADE IN BRITAIN



Material

Titanium grade 2 (tensile strength 345 N/mm²), or grade 5 (tensile strength 900 N/mm²).

Also available on request in steel (anodised, black oxide or zinc plated) stainless steel (AISI 316, 1.440 or AISI 303, 1.4305), brass, aluminium etc.

Technical Notes

Used to comply with the Machinery Direc-

tive 2006/42/EC. Generally to ISO 1207. Often used with our captive washers (P0168) or retaining flanges (P0169 - for sheet metal applications). The use of our captive washers should be considered when fitted in panels with unthreaded holes.

Tips

Other head drive styles - add suffix:
-TX for Torx (hexalobular).

-PZ for Pozidrive.
-SE for snake-eye security.

Important Notes

Please note that these screws have a reduced diameter shank and should not be tightened to the recommended torque for an equivalent machine screw of size d₁.

Order No.	d ₁	l ₁ ±0.25	d ₂ ±0.12	l ₂ ±0.25	d ₃	d ₄ min.	h ₁	h ₂	w ₁	Material
P0155.020-010-T2	M 2	10	1.2	3.0	3.8	2.5	1.3	0.85	0.5	Grade 2
P0155.020-012-T2	M 2	12	1.2	3.0	3.8	2.5	1.3	0.85	0.5	Grade 2
P0155.020-016-T2	M 2	16	1.2	3.0	3.8	2.5	1.3	0.85	0.5	Grade 2
P0155.020-020-T2	M 2	20	1.2	3.0	3.8	2.5	1.3	0.85	0.5	Grade 2
P0155.025-010-T2	M 2,5	10	1.7	3.7	4.5	2.8	1.6	1.00	0.6	Grade 2
P0155.025-012-T2	M 2,5	12	1.7	3.7	4.5	2.8	1.6	1.00	0.6	Grade 2
P0155.025-016-T2	M 2,5	16	1.7	3.7	4.5	2.8	1.6	1.00	0.6	Grade 2
P0155.025-020-T2	M 2,5	20	1.7	3.7	4.5	2.8	1.6	1.00	0.6	Grade 2
P0155.025-025-T2	M 2,5	25	1.7	3.7	4.5	2.8	1.6	1.00	0.6	Grade 2
P0155.025-030-T2	M 2,5	30	1.7	3.7	4.5	2.8	1.6	1.00	0.6	Grade 2
P0155.030-006-T2	M 3	6	2.0	4.5	5.5	3.5	2.0	1.30	0.8	Grade 2
P0155.030-008-T2	M 3	8	2.0	4.5	5.5	3.5	2.0	1.30	0.8	Grade 2
P0155.030-010-T2	M 3	10	2.0	4.5	5.5	3.5	2.0	1.30	0.8	Grade 2
P0155.030-011-T2	M 3	11	2.0	4.5	5.5	3.5	2.0	1.30	0.8	Grade 2
P0155.030-013-T2	M 3	13	2.0	4.5	5.5	3.5	2.0	1.30	0.8	Grade 2
P0155.030-016-T2	M 3	16	2.0	4.5	5.5	3.5	2.0	1.30	0.8	Grade 2
P0155.030-018-T2	M 3	18	2.0	4.5	5.5	3.5	2.0	1.30	0.8	Grade 2
P0155.030-020-T2	M 3	20	2.0	4.5	5.5	3.5	2.0	1.30	0.8	Grade 2
P0155.030-025-T2	M 3	25	2.0	4.5	5.5	3.5	2.0	1.30	0.8	Grade 2
P0155.030-030-T2	M 3	30	2.0	4.5	5.5	3.5	2.0	1.30	0.8	Grade 2
P0155.030-040-T2	M 3	40	2.0	4.5	5.5	3.5	2.0	1.30	0.8	Grade 2
P0155.035-010-T2	M3,5	10	2.3	5.2	6.0	3.8	2.4	1.4	1.0	Grade 2
P0155.035-016-T2	M3,5	16	2.3	5.2	6.0	3.8	2.4	1.4	1.0	Grade 2
P0155.035-020-T2	M3,5	20	2.3	5.2	6.0	3.8	2.4	1.4	1.0	Grade 2
P0155.035-025-T2	M3,5	25	2.3	5.2	6.0	3.8	2.4	1.4	1.0	Grade 2
P0155.035-030-T2	M3,5	30	2.3	5.2	6.0	3.8	2.4	1.4	1.0	Grade 2



Captive Screws - Cheese Head slot drive - titanium



Order No.	d ₁	l ₁ ±0.25	d ₂ ±0.12	l ₂ ±0.25	d ₃	d ₄ min.	h ₁	h ₂	w ₁	Material
P0155.035-040-T2	M3,5	40	2.3	5.2	6.0	3.8	2.4	1.4	1.0	Grade 2
P0155.040-010-T2	M 4	10	2.8	6.0	7.0	4.5	2.6	1.6	1.2	Grade 2
P0155.040-012-T2	M 4	12	2.8	6.0	7.0	4.5	2.6	1.6	1.2	Grade 2
P0155.040-016-T2	M 4	16	2.8	6.0	7.0	4.5	2.6	1.6	1.2	Grade 2
P0155.040-018-T2	M 4	18	2.8	6.0	7.0	4.5	2.6	1.6	1.2	Grade 2
P0155.040-019-T2	M 4	19	2.8	6.0	7.0	4.5	2.6	1.6	1.2	Grade 2
P0155.040-020-T2	M 4	20	2.8	6.0	7.0	4.5	2.6	1.6	1.2	Grade 2
P0155.040-025-T2	M 4	25	2.8	6.0	7.0	4.5	2.6	1.6	1.2	Grade 2
P0155.040-030-T2	M 4	30	2.8	6.0	7.0	4.5	2.6	1.6	1.2	Grade 2
P0155.040-040-T2	M 4	40	2.8	6.0	7.0	4.5	2.6	1.6	1.2	Grade 2
P0155.040-050-T2	M 4	50	2.8	6.0	7.0	4.5	2.6	1.6	1.2	Grade 2
P0155.040-060-T2	M 4	60	2.8	6.0	7.0	4.5	2.6	1.6	1.2	Grade 2
P0155.050-010-T2	M 5	10	3.7	7.5	8.5	5.5	3.3	2.0	1.2	Grade 2
P0155.050-012-T2	M 5	12	3.7	7.5	8.5	5.5	3.3	2.0	1.2	Grade 2
P0155.050-016-T2	M 5	16	3.7	7.5	8.5	5.5	3.3	2.0	1.2	Grade 2
P0155.050-018-T2	M 5	18	3.7	7.5	8.5	5.5	3.3	2.0	1.2	Grade 2
P0155.050-020-T2	M 5	20	3.7	7.5	8.5	5.5	3.3	2.0	1.2	Grade 2
P0155.050-022-T2	M 5	22	3.7	7.5	8.5	5.5	3.3	2.0	1.2	Grade 2
P0155.050-025-T2	M 5	25	3.7	7.5	8.5	5.5	3.3	2.0	1.2	Grade 2
P0155.050-030-T2	M 5	30	3.7	7.5	8.5	5.5	3.3	2.0	1.2	Grade 2
P0155.050-040-T2	M 5	40	3.7	7.5	8.5	5.5	3.3	2.0	1.2	Grade 2
P0155.050-050-T2	M 5	50	3.7	7.5	8.5	5.5	3.3	2.0	1.2	Grade 2
P0155.050-060-T2	M 5	60	3.7	7.5	8.5	5.5	3.3	2.0	1.2	Grade 2
P0155.050-080-T2	M 5	80	3.7	7.5	8.5	5.5	3.3	2.0	1.2	Grade 2
P0155.060-010-T2	M 6	10	4.2	7.5	10.0	6.5	3.9	2.3	1.6	Grade 2
P0155.060-012-T2	M 6	12	4.2	7.5	10.0	6.5	3.9	2.3	1.6	Grade 2
P0155.060-016-T2	M 6	16	4.2	7.5	10.0	6.5	3.9	2.3	1.6	Grade 2
P0155.060-020-T2	M 6	20	4.2	7.5	10.0	6.5	3.9	2.3	1.6	Grade 2
P0155.060-025-T2	M 6	25	4.2	7.5	10.0	6.5	3.9	2.3	1.6	Grade 2
P0155.060-030-T2	M 6	30	4.2	7.5	10.0	6.5	3.9	2.3	1.6	Grade 2
P0155.060-040-T2	M 6	40	4.2	7.5	10.0	6.5	3.9	2.3	1.6	Grade 2
P0155.060-050-T2	M 6	50	4.2	7.5	10.0	6.5	3.9	2.3	1.6	Grade 2
P0155.060-060-T2	M 6	60	4.2	7.5	10.0	6.5	3.9	2.3	1.6	Grade 2
P0155.060-080-T2	M 6	80	4.2	7.5	10.0	6.5	3.9	2.3	1.6	Grade 2
P0155.020-010-T5	M 2	10	1.2	3.0	3.8	2.5	1.3	0.85	0.5	Grade 5
P0155.020-012-T5	M 2	12	1.2	3.0	3.8	2.5	1.3	0.85	0.5	Grade 5
P0155.020-016-T5	M 2	16	1.2	3.0	3.8	2.5	1.3	0.85	0.5	Grade 5
P0155.020-020-T5	M 2	20	1.2	3.0	3.8	2.5	1.3	0.85	0.5	Grade 5
P0155.025-010-T5	M 2,5	10	1.7	3.7	4.5	2.8	1.6	1.00	0.6	Grade 5
P0155.025-012-T5	M 2,5	12	1.7	3.7	4.5	2.8	1.6	1.00	0.6	Grade 5
P0155.025-016-T5	M 2,5	16	1.7	3.7	4.5	2.8	1.6	1.00	0.6	Grade 5
P0155.025-020-T5	M 2,5	20	1.7	3.7	4.5	2.8	1.6	1.00	0.6	Grade 5
P0155.025-025-T5	M 2,5	25	1.7	3.7	4.5	2.8	1.6	1.00	0.6	Grade 5
P0155.025-030-T5	M 2,5	30	1.7	3.7	4.5	2.8	1.6	1.00	0.6	Grade 5
P0155.030-006-T5	M 3	6	2.0	4.5	5.5	3.5	2.0	1.30	0.8	Grade 5
P0155.030-008-T5	M 3	8	2.0	4.5	5.5	3.5	2.0	1.30	0.8	Grade 5
P0155.030-010-T5	M 3	10	2.0	4.5	5.5	3.5	2.0	1.30	0.8	Grade 5
P0155.030-011-T5	M 3	11	2.0	4.5	5.5	3.5	2.0	1.30	0.8	Grade 5
P0155.030-013-T5	M 3	13	2.0	4.5	5.5	3.5	2.0	1.30	0.8	Grade 5
P0155.030-016-T5	M 3	16	2.0	4.5	5.5	3.5	2.0	1.30	0.8	Grade 5
P0155.030-018-T5	M 3	18	2.0	4.5	5.5	3.5	2.0	1.30	0.8	Grade 5
P0155.030-020-T5	M 3	20	2.0	4.5	5.5	3.5	2.0	1.30	0.8	Grade 5
P0155.030-025-T5	M 3	25	2.0	4.5	5.5	3.5	2.0	1.30	0.8	Grade 5
P0155.030-030-T5	M 3	30	2.0	4.5	5.5	3.5	2.0	1.30	0.8	Grade 5
P0155.030-040-T5	M 3	40	2.0	4.5	5.5	3.5	2.0	1.30	0.8	Grade 5
P0155.035-010-T5	M3,5	10	2.3	5.2	6.0	3.8	2.4	1.4	1.0	Grade 5
P0155.035-016-T5	M3,5	16	2.3	5.2	6.0	3.8	2.4	1.4	1.0	Grade 5
P0155.035-020-T5	M3,5	20	2.3	5.2	6.0	3.8	2.4	1.4	1.0	Grade 5
P0155.035-025-T5	M3,5	25	2.3	5.2	6.0	3.8	2.4	1.4	1.0	Grade 5
P0155.035-030-T5	M3,5	30	2.3	5.2	6.0	3.8	2.4	1.4	1.0	Grade 5
P0155.035-040-T5	M3,5	40	2.3	5.2	6.0	3.8	2.4	1.4	1.0	Grade 5
P0155.040-010-T5	M 4	10	2.8	6.0	7.0	4.5	2.6	1.6	1.2	Grade 5
P0155.040-012-T5	M 4	12	2.8	6.0	7.0	4.5	2.6	1.6	1.2	Grade 5
P0155.040-016-T5	M 4	16	2.8	6.0	7.0	4.5	2.6	1.6	1.2	Grade 5
P0155.040-018-T5	M 4	18	2.8	6.0	7.0	4.5	2.6	1.6	1.2	Grade 5
P0155.040-019-T5	M 4	19	2.8	6.0	7.0	4.5	2.6	1.6	1.2	Grade 5
P0155.040-020-T5	M 4	20	2.8	6.0	7.0	4.5	2.6	1.6	1.2	Grade 5
P0155.040-025-T5	M 4	25	2.8	6.0	7.0	4.5	2.6	1.6	1.2	Grade 5

CAPTIVE SCREWS



CAPTIVE SCREWS

Order No.	d ₁	l ₁ ±0.25	d ₂ ±0.12	l ₂ ±0.25	d ₃	d ₄ min.	h ₁	h ₂	w ₁	Material
P0155.040-030-T5	M 4	30	2.8	6.0	7.0	4.5	2.6	1.6	1.2	Grade 5
P0155.040-040-T5	M 4	40	2.8	6.0	7.0	4.5	2.6	1.6	1.2	Grade 5
P0155.040-050-T5	M 4	50	2.8	6.0	7.0	4.5	2.6	1.6	1.2	Grade 5
P0155.040-060-T5	M 4	60	2.8	6.0	7.0	4.5	2.6	1.6	1.2	Grade 5
P0155.050-010-T5	M 5	10	3.7	7.5	8.5	5.5	3.3	2.0	1.2	Grade 5
P0155.050-012-T5	M 5	12	3.7	7.5	8.5	5.5	3.3	2.0	1.2	Grade 5
P0155.050-016-T5	M 5	16	3.7	7.5	8.5	5.5	3.3	2.0	1.2	Grade 5
P0155.050-018-T5	M 5	18	3.7	7.5	8.5	5.5	3.3	2.0	1.2	Grade 5
P0155.050-020-T5	M 5	20	3.7	7.5	8.5	5.5	3.3	2.0	1.2	Grade 5
P0155.050-022-T5	M 5	22	3.7	7.5	8.5	5.5	3.3	2.0	1.2	Grade 5
P0155.050-025-T5	M 5	25	3.7	7.5	8.5	5.5	3.3	2.0	1.2	Grade 5
P0155.050-030-T5	M 5	30	3.7	7.5	8.5	5.5	3.3	2.0	1.2	Grade 5
P0155.050-040-T5	M 5	40	3.7	7.5	8.5	5.5	3.3	2.0	1.2	Grade 5
P0155.050-050-T5	M 5	50	3.7	7.5	8.5	5.5	3.3	2.0	1.2	Grade 5
P0155.050-060-T5	M 5	60	3.7	7.5	8.5	5.5	3.3	2.0	1.2	Grade 5
P0155.050-080-T5	M 5	80	3.7	7.5	8.5	5.5	3.3	2.0	1.2	Grade 5
P0155.060-010-T5	M 6	10	4.2	7.5	10.0	6.5	3.9	2.3	1.6	Grade 5
P0155.060-012-T5	M 6	12	4.2	7.5	10.0	6.5	3.9	2.3	1.6	Grade 5
P0155.060-016-T5	M 6	16	4.2	7.5	10.0	6.5	3.9	2.3	1.6	Grade 5
P0155.060-020-T5	M 6	20	4.2	7.5	10.0	6.5	3.9	2.3	1.6	Grade 5
P0155.060-025-T5	M 6	25	4.2	7.5	10.0	6.5	3.9	2.3	1.6	Grade 5
P0155.060-030-T5	M 6	30	4.2	7.5	10.0	6.5	3.9	2.3	1.6	Grade 5
P0155.060-040-T5	M 6	40	4.2	7.5	10.0	6.5	3.9	2.3	1.6	Grade 5
P0155.060-050-T5	M 6	50	4.2	7.5	10.0	6.5	3.9	2.3	1.6	Grade 5
P0155.060-060-T5	M 6	60	4.2	7.5	10.0	6.5	3.9	2.3	1.6	Grade 5
P0155.060-080-T5	M 6	80	4.2	7.5	10.0	6.5	3.9	2.3	1.6	Grade 5

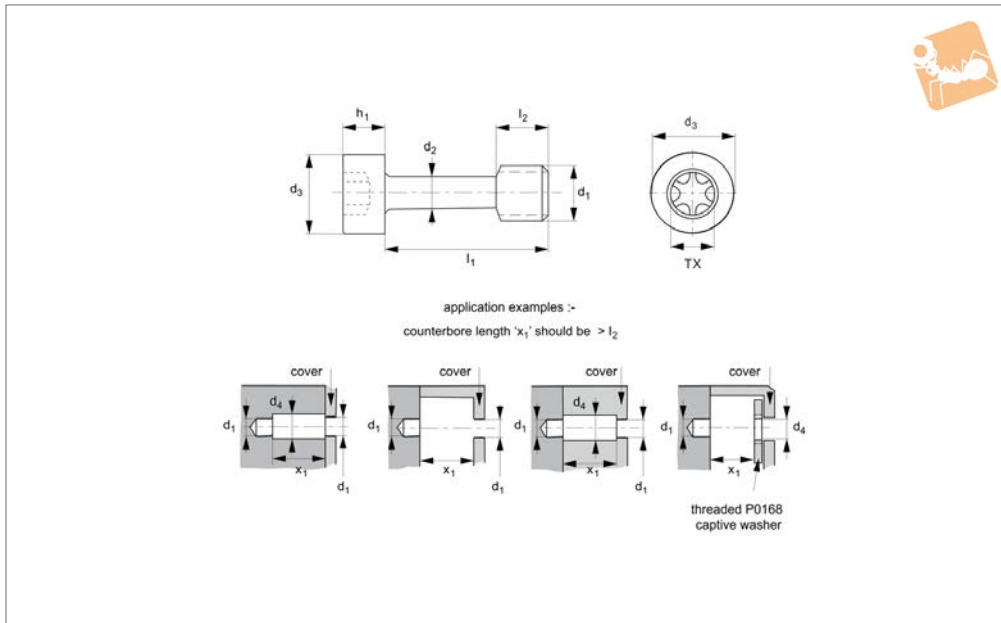


Captive Screws - Cap Head

TX drive - titanium



Captive Screws



P0156.Ti

CAPTIVE SCREWS

Material

Titanium grade 2 (tensile strength 345 N/mm²), or grade 5 (tensile strength 900 N/mm²).

Also available on request in steel (anodised, black oxide or zinc plated) stainless steel (AISI 316, 1.440 or AISI 303, 1.4305), brass, aluminium etc.

Technical Notes

Used to comply with the Machinery Direc-

tive 2006/42/EC. Generally to ISO 4762. Often used with our captive washers (P0168) or retaining flanges (P0169 - for sheet metal applications). The use of our captive washers should be considered when fitted in panels with unthreaded holes.

*M 8 sizes have a reduced TX size.

T5 also available on request.

Replace -T2 with -T5 at the end of part

number.

Important Notes

Please note that these screws have a reduced diameter shank and should not be tightened to the recommended torque for an equivalent machine screw of size d₁.

Order No.	d ₁	l ₁ ±0.25	d ₂ ±0.12	l ₂ ±0.25	d ₃ max.	d ₄ min.	h ₁ max.	TX size	Material
P0156.030-008-T2	M 3	8	2.0	4.5	5.5	3.5	3	TX-10	Grade 2
P0156.030-010-T2	M 3	10	2.0	4.5	5.5	3.5	3	TX-10	Grade 2
P0156.030-016-T2	M 3	16	2.0	4.5	5.5	3.5	3	TX-10	Grade 2
P0156.030-020-T2	M 3	20	2.0	4.5	5.5	3.5	3	TX-10	Grade 2
P0156.030-025-T2	M 3	25	2.0	4.5	5.5	3.5	3	TX-10	Grade 2
P0156.030-030-T2	M 3	30	2.0	4.5	5.5	3.5	3	TX-10	Grade 2
P0156.040-008-T2	M 4	8	2.8	6.0	7.0	4.5	4	TX-20	Grade 2
P0156.040-010-T2	M 4	10	2.8	6.0	7.0	4.5	4	TX-20	Grade 2
P0156.040-012-T2	M 4	12	2.8	6.0	7.0	4.5	4	TX-20	Grade 2
P0156.040-016-T2	M 4	16	2.8	6.0	7.0	4.5	4	TX-20	Grade 2
P0156.040-020-T2	M 4	20	2.8	6.0	7.0	4.5	4	TX-20	Grade 2
P0156.040-025-T2	M 4	25	2.8	6.0	7.0	4.5	4	TX-20	Grade 2
P0156.040-030-T2	M 4	30	2.8	6.0	7.0	4.5	4	TX-20	Grade 2
P0156.040-040-T2	M 4	40	2.8	6.0	7.0	4.5	4	TX-20	Grade 2
P0156.040-050-T2	M 4	50	2.8	6.0	7.0	4.5	4	TX-20	Grade 2
P0156.050-010-T2	M 5	10	3.7	7.5	8.5	5.5	5	TX-25	Grade 2
P0156.050-012-T2	M 5	12	3.7	7.5	8.5	5.5	5	TX-25	Grade 2
P0156.050-016-T2	M 5	16	3.7	7.5	8.5	5.5	5	TX-25	Grade 2
P0156.050-020-T2	M 5	20	3.7	7.5	8.5	5.5	5	TX-25	Grade 2
P0156.050-025-T2	M 5	25	3.7	7.5	8.5	5.5	5	TX-25	Grade 2
P0156.050-030-T2	M 5	30	3.7	7.5	8.5	5.5	5	TX-25	Grade 2
P0156.050-040-T2	M 5	40	3.7	7.5	8.5	5.5	5	TX-25	Grade 2
P0156.050-050-T2	M 5	50	3.7	7.5	8.5	5.5	5	TX-25	Grade 2
P0156.060-010-T2	M 6	10	4.2	7.5	10.0	6.5	6	TX-30	Grade 2
P0156.060-012-T2	M 6	12	4.2	7.5	10.0	6.5	6	TX-30	Grade 2
P0156.060-016-T2	M 6	16	4.2	7.5	10.0	6.5	6	TX-30	Grade 2



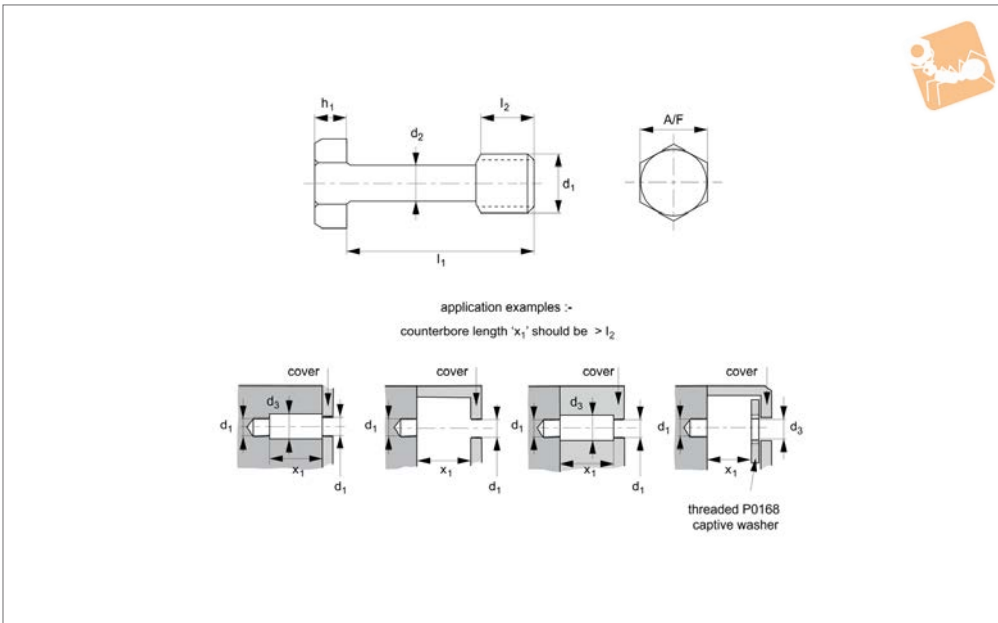
CAPTIVE SCREWS

Order No.	d ₁	l ₁ ±0.25	d ₂ ±0.12	l ₂ ±0.25	d ₃ max.	d ₄ min.	h ₁ max.	TX size	Material
P0156.060-020-T2	M 6	20	4.2	7.5	10.0	6.5	6	TX-30	Grade 2
P0156.060-025-T2	M 6	25	4.2	7.5	10.0	6.5	6	TX-30	Grade 2
P0156.060-030-T2	M 6	30	4.2	7.5	10.0	6.5	6	TX-30	Grade 2
P0156.060-040-T2	M 6	40	4.2	7.5	10.0	6.5	6	TX-30	Grade 2
P0156.060-050-T2	M 6	50	4.2	7.5	10.0	6.5	6	TX-30	Grade 2
P0156.060-060-T2	M 6	60	4.2	7.5	10.0	6.5	6	TX-30	Grade 2
P0156.060-080-T2	M 6	80	4.2	7.5	10.0	6.5	6	TX-30	Grade 2
P0156.080-012-T2	M 8	12	6.0	10.0	13.0	8.5	8	TX-30*	Grade 2
P0156.080-016-T2	M 8	16	6.0	10.0	13.0	8.5	8	TX-30*	Grade 2
P0156.080-020-T2	M 8	20	6.0	10.0	13.0	8.5	8	TX-30*	Grade 2
P0156.080-025-T2	M 8	25	6.0	10.0	13.0	8.5	8	TX-30*	Grade 2
P0156.080-030-T2	M 8	30	6.0	10.0	13.0	8.5	8	TX-30*	Grade 2
P0156.080-035-T2	M 8	35	6.0	10.0	13.0	8.5	8	TX-30*	Grade 2
P0156.080-040-T2	M 8	40	6.0	10.0	13.0	8.5	8	TX-30*	Grade 2
P0156.080-045-T2	M 8	45	6.0	10.0	13.0	8.5	8	TX-30*	Grade 2
P0156.080-050-T2	M 8	50	6.0	10.0	13.0	8.5	8	TX-30*	Grade 2
P0156.080-060-T2	M 8	60	6.0	10.0	13.0	8.5	8	TX-30*	Grade 2
P0156.080-080-T2	M 8	80	6.0	10.0	13.0	8.5	8	TX-30*	Grade 2
P0156.030-008-T5	M 3	8	2.0	4.5	5.5	3.5	3	TX-10	Grade 5
P0156.030-010-T5	M 3	10	2.0	4.5	5.5	3.5	3	TX-10	Grade 5
P0156.030-016-T5	M 3	16	2.0	4.5	5.5	3.5	3	TX-10	Grade 5
P0156.030-020-T5	M 3	20	2.0	4.5	5.5	3.5	3	TX-10	Grade 5
P0156.030-025-T5	M 3	25	2.0	4.5	5.5	3.5	3	TX-10	Grade 5
P0156.030-030-T5	M 3	30	2.0	4.5	5.5	3.5	3	TX-10	Grade 5
P0156.040-008-T5	M 4	8	2.8	6.0	7.0	4.5	4	TX-20	Grade 5
P0156.040-010-T5	M 4	10	2.8	6.0	7.0	4.5	4	TX-20	Grade 5
P0156.040-012-T5	M 4	12	2.8	6.0	7.0	4.5	4	TX-20	Grade 5
P0156.040-016-T5	M 4	16	2.8	6.0	7.0	4.5	4	TX-20	Grade 5
P0156.040-020-T5	M 4	20	2.8	6.0	7.0	4.5	4	TX-20	Grade 5
P0156.040-025-T5	M 4	25	2.8	6.0	7.0	4.5	4	TX-20	Grade 5
P0156.040-030-T5	M 4	30	2.8	6.0	7.0	4.5	4	TX-20	Grade 5
P0156.040-040-T5	M 4	40	2.8	6.0	7.0	4.5	4	TX-20	Grade 5
P0156.040-050-T5	M 4	50	2.8	6.0	7.0	4.5	4	TX-20	Grade 5
P0156.050-010-T5	M 5	10	3.7	7.5	8.5	5.5	5	TX-25	Grade 5
P0156.050-012-T5	M 5	12	3.7	7.5	8.5	5.5	5	TX-25	Grade 5
P0156.050-016-T5	M 5	16	3.7	7.5	8.5	5.5	5	TX-25	Grade 5
P0156.050-020-T5	M 5	20	3.7	7.5	8.5	5.5	5	TX-25	Grade 5
P0156.050-025-T5	M 5	25	3.7	7.5	8.5	5.5	5	TX-25	Grade 5
P0156.050-030-T5	M 5	30	3.7	7.5	8.5	5.5	5	TX-25	Grade 5
P0156.050-040-T5	M 5	40	3.7	7.5	8.5	5.5	5	TX-25	Grade 5
P0156.050-050-T5	M 5	50	3.7	7.5	8.5	5.5	5	TX-25	Grade 5
P0156.060-010-T5	M 6	10	4.2	7.5	10.0	6.5	6	TX-30	Grade 5
P0156.060-012-T5	M 6	12	4.2	7.5	10.0	6.5	6	TX-30	Grade 5
P0156.060-016-T5	M 6	16	4.2	7.5	10.0	6.5	6	TX-30	Grade 5
P0156.060-020-T5	M 6	20	4.2	7.5	10.0	6.5	6	TX-30	Grade 5
P0156.060-025-T5	M 6	25	4.2	7.5	10.0	6.5	6	TX-30	Grade 5
P0156.060-030-T5	M 6	30	4.2	7.5	10.0	6.5	6	TX-30	Grade 5
P0156.060-040-T5	M 6	40	4.2	7.5	10.0	6.5	6	TX-30	Grade 5
P0156.060-050-T5	M 6	50	4.2	7.5	10.0	6.5	6	TX-30	Grade 5
P0156.060-060-T5	M 6	60	4.2	7.5	10.0	6.5	6	TX-30	Grade 5
P0156.060-080-T5	M 6	80	4.2	7.5	10.0	6.5	6	TX-30	Grade 5
P0156.080-012-T5	M 8	12	6.0	10.0	13.0	8.5	8	TX-30*	Grade 5
P0156.080-016-T5	M 8	16	6.0	10.0	13.0	8.5	8	TX-30*	Grade 5
P0156.080-020-T5	M 8	20	6.0	10.0	13.0	8.5	8	TX-30*	Grade 5
P0156.080-025-T5	M 8	25	6.0	10.0	13.0	8.5	8	TX-30*	Grade 5
P0156.080-030-T5	M 8	30	6.0	10.0	13.0	8.5	8	TX-30*	Grade 5
P0156.080-035-T5	M 8	35	6.0	10.0	13.0	8.5	8	TX-30*	Grade 5
P0156.080-040-T5	M 8	40	6.0	10.0	13.0	8.5	8	TX-30*	Grade 5
P0156.080-045-T5	M 8	45	6.0	10.0	13.0	8.5	8	TX-30*	Grade 5
P0156.080-050-T5	M 8	50	6.0	10.0	13.0	8.5	8	TX-30*	Grade 5
P0156.080-060-T5	M 8	60	6.0	10.0	13.0	8.5	8	TX-30*	Grade 5
P0156.080-080-T5	M 8	80	6.0	10.0	13.0	8.5	8	TX-30*	Grade 5



Captive Screws - Hex Bolts

titanium



P0158.Ti

CAPTIVE SCREWS

Material

Titanium grade 2 (tensile strength 345 N/mm²), or grade 5 (tensile strength 900 N/mm²).

Also available on request in steel (anodised, black oxide or zinc plated) stainless steel (AISI 316, 1.440 or AISI 303, 1.4305), brass, aluminium etc.

Technical Notes

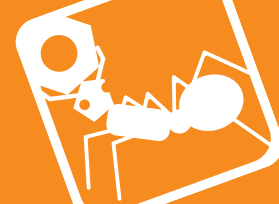
Used to comply with the Machinery Direc-

tive 2006/42/EC. Often used with our captive washer (P0168) or retaining flanges (P0169 - for sheet metal applications). The use of our captive washer should be considered when fitted in panels with unthreaded holes. T5 also available on request. Replace -T2 with -T5 at the end of part number.

Important Notes

Please note that these screws have a reduced diameter shank and should not be tightened to the recommended torque for an equivalent machine screw of size d_1 .

Order No.	d_1	l_1 ± 0.25	d_2 ± 0.12	l_2 ± 0.25	d_3 min.	h_1 max.	A/F	Material
P0158.030-010-T2	M 3	10	2.0	4.5	3.5	2.2	6	Grade 2
P0158.030-016-T2	M 3	16	2.0	4.5	3.5	2.2	6	Grade 2
P0158.030-020-T2	M 3	20	2.0	4.5	3.5	2.2	6	Grade 2
P0158.030-025-T2	M 3	25	2.0	4.5	3.5	2.2	6	Grade 2
P0158.030-030-T2	M 3	30	2.0	4.5	3.5	2.2	6	Grade 2
P0158.030-040-T2	M 3	40	2.0	4.5	3.5	2.2	6	Grade 2
P0158.040-012-T2	M 4	12	2.8	6.0	4.5	2.9	7	Grade 2
P0158.040-016-T2	M 4	16	2.8	6.0	4.5	2.9	7	Grade 2
P0158.040-020-T2	M 4	20	2.8	6.0	4.5	2.9	7	Grade 2
P0158.040-025-T2	M 4	25	2.8	6.0	4.5	2.9	7	Grade 2
P0158.040-030-T2	M 4	30	2.8	8.0	4.5	2.9	7	Grade 2
P0158.040-035-T2	M 4	35	2.8	8.0	4.5	2.9	7	Grade 2
P0158.040-040-T2	M 4	40	2.8	8.0	4.5	2.9	7	Grade 2
P0158.040-050-T2	M 4	50	2.8	8.0	4.5	2.9	7	Grade 2
P0158.040-060-T2	M 4	60	2.8	8.0	4.5	2.9	7	Grade 2
P0158.050-012-T2	M 5	12	3.7	7.5	5.5	3.6	8	Grade 2
P0158.050-016-T2	M 5	16	3.7	7.5	5.5	3.6	8	Grade 2
P0158.050-020-T2	M 5	20	3.7	7.5	5.5	3.6	8	Grade 2
P0158.050-025-T2	M 5	25	3.7	7.5	5.5	3.6	8	Grade 2
P0158.050-030-T2	M 5	30	3.7	10.0	5.5	3.6	8	Grade 2
P0158.050-035-T2	M 5	35	3.7	10.0	5.5	3.6	8	Grade 2
P0158.050-040-T2	M 5	40	3.7	10.0	5.5	3.6	8	Grade 2
P0158.050-050-T2	M 5	50	3.7	10.0	5.5	3.6	8	Grade 2
P0158.050-060-T2	M 5	60	3.7	10.0	5.5	3.6	8	Grade 2
P0158.060-012-T2	M 6	12	4.2	7.5	6.5	4.1	10	Grade 2
P0158.060-016-T2	M 6	16	4.2	7.5	6.5	4.1	10	Grade 2



Order No.	d ₁	l ₁ ±0.25	d ₂ ±0.12	l ₂ ±0.25	d ₃ min.	h ₁ max.	A/F	Material
P0158.060-020-T2	M 6	20	4.2	7.5	6.5	4.1	10	Grade 2
P0158.060-025-T2	M 6	25	4.2	7.5	6.5	4.1	10	Grade 2
P0158.060-030-T2	M 6	30	4.2	7.5	6.5	4.1	10	Grade 2
P0158.060-035-T2	M 6	35	4.2	7.5	6.5	4.1	10	Grade 2
P0158.060-040-T2	M 6	40	4.2	7.5	6.5	4.1	10	Grade 2
P0158.060-050-T2	M 6	50	4.2	7.5	6.5	4.1	10	Grade 2
P0158.060-060-T2	M 6	60	4.2	7.5	6.5	4.1	10	Grade 2
P0158.060-080-T2	M 6	80	4.2	7.5	6.5	4.1	10	Grade 2
P0158.080-016-T2	M 8	16	6.0	10.0	8.5	5.3	13	Grade 2
P0158.080-020-T2	M 8	20	6.0	10.0	8.5	5.3	13	Grade 2
P0158.080-025-T2	M 8	25	6.0	10.0	8.5	5.3	13	Grade 2
P0158.080-030-T2	M 8	30	6.0	10.0	8.5	5.3	13	Grade 2
P0158.080-035-T2	M 8	35	6.0	10.0	8.5	5.3	13	Grade 2
P0158.080-040-T2	M 8	40	6.0	10.0	8.5	5.3	13	Grade 2
P0158.080-050-T2	M 8	50	6.0	10.0	8.5	5.3	13	Grade 2
P0158.080-060-T2	M 8	60	6.0	10.0	8.5	5.3	13	Grade 2
P0158.080-080-T2	M 8	80	6.0	10.0	8.5	5.3	13	Grade 2
P0158.100-020-T2	M10	20	7.5	12.5	10.6	6.4	17	Grade 2
P0158.100-025-T2	M10	25	7.5	12.5	10.6	6.4	17	Grade 2
P0158.100-030-T2	M10	30	7.5	12.5	10.6	6.4	17	Grade 2
P0158.100-035-T2	M10	35	7.5	12.0	10.6	6.4	17	Grade 2
P0158.100-040-T2	M10	40	7.5	12.5	10.6	6.4	17	Grade 2
P0158.100-050-T2	M10	50	7.5	12.5	10.6	6.4	17	Grade 2
P0158.100-060-T2	M10	60	7.5	12.5	10.6	6.4	17	Grade 2
P0158.100-080-T2	M10	80	7.5	12.5	10.6	6.4	17	Grade 2
P0158.120-025-T2	M12	25	8.0	15.0	13.2	7.5	19	Grade 2
P0158.120-030-T2	M12	30	8.0	15.0	13.2	7.5	19	Grade 2
P0158.120-035-T2	M12	35	8.0	15.0	13.2	7.5	19	Grade 2
P0158.120-040-T2	M12	40	8.0	15.0	13.2	7.5	19	Grade 2
P0158.120-050-T2	M12	50	8.0	15.0	13.2	7.5	19	Grade 2
P0158.120-060-T2	M12	60	8.0	15.0	13.2	7.5	19	Grade 2
P0158.120-080-T2	M12	80	8.0	15.0	13.2	7.5	19	Grade 2
P0158.030-010-T5	M 3	10	2.0	4.5	3.5	2.2	6	Grade 5
P0158.030-016-T5	M 3	16	2.0	4.5	3.5	2.2	6	Grade 5
P0158.030-020-T5	M 3	20	2.0	4.5	3.5	2.2	6	Grade 5
P0158.030-025-T5	M 3	25	2.0	4.5	3.5	2.2	6	Grade 5
P0158.030-030-T5	M 3	30	2.0	4.5	3.5	2.2	6	Grade 5
P0158.030-040-T5	M 3	40	2.0	4.5	3.5	2.2	6	Grade 5
P0158.040-012-T5	M 4	12	2.8	6.0	4.5	2.9	7	Grade 5
P0158.040-016-T5	M 4	16	2.8	6.0	4.5	2.9	7	Grade 5
P0158.040-020-T5	M 4	20	2.8	6.0	4.5	2.9	7	Grade 5
P0158.040-025-T5	M 4	25	2.8	6.0	4.5	2.9	7	Grade 5
P0158.040-030-T5	M 4	30	2.8	8.0	4.5	2.9	7	Grade 5
P0158.040-035-T5	M 4	35	2.8	8.0	4.5	2.9	7	Grade 5
P0158.040-040-T5	M 4	40	2.8	8.0	4.5	2.9	7	Grade 5
P0158.040-050-T5	M 4	50	2.8	8.0	4.5	2.9	7	Grade 5
P0158.040-060-T5	M 4	60	2.8	8.0	4.5	2.9	7	Grade 5
P0158.050-012-T5	M 5	12	3.7	7.5	5.5	3.6	8	Grade 5
P0158.050-016-T5	M 5	16	3.7	7.5	5.5	3.6	8	Grade 5
P0158.050-020-T5	M 5	20	3.7	7.5	5.5	3.6	8	Grade 5
P0158.050-025-T5	M 5	25	3.7	7.5	5.5	3.6	8	Grade 5
P0158.050-030-T5	M 5	30	3.7	10.0	5.5	3.6	8	Grade 5
P0158.050-035-T5	M 5	35	3.7	10.0	5.5	3.6	8	Grade 5
P0158.050-040-T5	M 5	40	3.7	10.0	5.5	3.6	8	Grade 5
P0158.050-050-T5	M 5	50	3.7	10.0	5.5	3.6	8	Grade 5
P0158.050-060-T5	M 5	60	3.7	10.0	5.5	3.6	8	Grade 5
P0158.060-012-T5	M 6	12	4.2	7.5	6.5	4.1	10	Grade 5
P0158.060-016-T5	M 6	16	4.2	7.5	6.5	4.1	10	Grade 5
P0158.060-020-T5	M 6	20	4.2	7.5	6.5	4.1	10	Grade 5
P0158.060-025-T5	M 6	25	4.2	7.5	6.5	4.1	10	Grade 5
P0158.060-030-T5	M 6	30	4.2	7.5	6.5	4.1	10	Grade 5
P0158.060-035-T5	M 6	35	4.2	7.5	6.5	4.1	10	Grade 5
P0158.060-040-T5	M 6	40	4.2	7.5	6.5	4.1	10	Grade 5
P0158.060-050-T5	M 6	50	4.2	7.5	6.5	4.1	10	Grade 5
P0158.060-060-T5	M 6	60	4.2	7.5	6.5	4.1	10	Grade 5
P0158.060-080-T5	M 6	80	4.2	7.5	6.5	4.1	10	Grade 5
P0158.080-016-T5	M 8	16	6.0	10.0	8.5	5.3	13	Grade 5
P0158.080-020-T5	M 8	20	6.0	10.0	8.5	5.3	13	Grade 5



Captive Screws - Hex Bolts

titanium



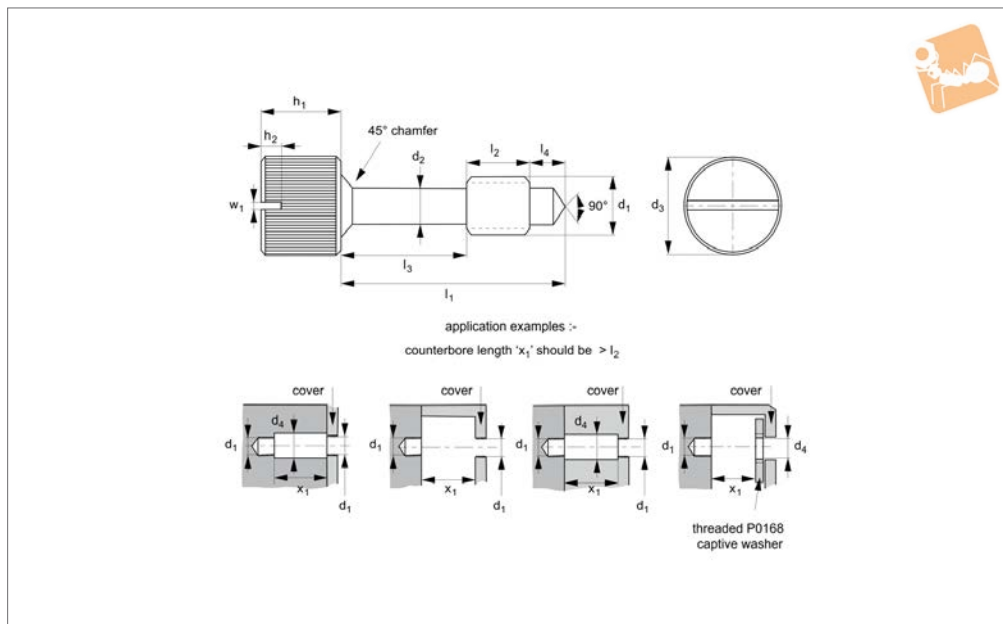
Order No.	d ₁	l ₁ ±0.25	d ₂ ±0.12	l ₂ ±0.25	d ₃ min.	h ₁ max.	A/F	Material
P0158.080-025-T5	M 8	25	6.0	10.0	8.5	5.3	13	Grade 5
P0158.080-030-T5	M 8	30	6.0	10.0	8.5	5.3	13	Grade 5
P0158.080-035-T5	M 8	35	6.0	10.0	8.5	5.3	13	Grade 5
P0158.080-040-T5	M 8	40	6.0	10.0	8.5	5.3	13	Grade 5
P0158.080-050-T5	M 8	50	6.0	10.0	8.5	5.3	13	Grade 5
P0158.080-060-T5	M 8	60	6.0	10.0	8.5	5.3	13	Grade 5
P0158.080-080-T5	M 8	80	6.0	10.0	8.5	5.3	13	Grade 5
P0158.100-020-T5	M10	20	7.5	12.5	10.6	6.4	17	Grade 5
P0158.100-025-T5	M10	25	7.5	12.5	10.6	6.4	17	Grade 5
P0158.100-030-T5	M10	30	7.5	12.5	10.6	6.4	17	Grade 5
P0158.100-035-T5	M10	35	7.5	12.0	10.6	6.4	17	Grade 5
P0158.100-040-T5	M10	40	7.5	12.5	10.6	6.4	17	Grade 5
P0158.100-050-T5	M10	50	7.5	12.5	10.6	6.4	17	Grade 5
P0158.100-060-T5	M10	60	7.5	12.5	10.6	6.4	17	Grade 5
P0158.100-080-T5	M10	80	7.5	12.5	10.6	6.4	17	Grade 5
P0158.120-025-T5	M12	25	8.0	15.0	13.2	7.5	19	Grade 5
P0158.120-030-T5	M12	30	8.0	15.0	13.2	7.5	19	Grade 5
P0158.120-035-T5	M12	35	8.0	15.0	13.2	7.5	19	Grade 5
P0158.120-040-T5	M12	40	8.0	15.0	13.2	7.5	19	Grade 5
P0158.120-050-T5	M12	50	8.0	15.0	13.2	7.5	19	Grade 5
P0158.120-060-T5	M12	60	8.0	15.0	13.2	7.5	19	Grade 5
P0158.120-080-T5	M12	80	8.0	15.0	13.2	7.5	19	Grade 5

CAPTIVE SCREWS



P0159.Ti

MADE IN BRITAIN



Material

Titanium grade 2 (tensile strength 345 N/mm²), or grade 5 (tensile strength 900 N/mm²).

Also available on request in steel (anodised, black oxide or zinc plated) stainless steel (AISI 316, 1.440 or AISI

303, 1.4305), brass, aluminium etc.

Technical Notes

Used to comply with the Machinery Directive 2006/42/EC. Often used with our captive washer (P0168) or retaining flanges (P0169 - for sheet metal applica-

tions). The use of our captive washer should be considered when fitted in panels with unthreaded holes.

T5 also available on request.

Replace -T2 with -T5 at the end of part number.

Order No.	d ₁	l ₁ ±0.25	d ₂ ±0.12	l ₂ ±0.25	d ₃	d ₄ min.	h ₁	h ₂	l ₃	l ₄	w ₁	Material
P0159.030-010-T2	M 3	10	2	3.2	6.5	3.5	6.5	2.0	4.8	2.0	1.2	Grade 2
P0159.030-014-T2	M 3	14	2	3.2	6.5	3.5	6.5	2.0	8.8	2.0	1.2	Grade 2
P0159.030-016-T2	M 3	16	2	3.2	6.5	3.5	6.5	2.0	10.8	2.0	1.2	Grade 2
P0159.030-020-T2	M 3	20	2	3.2	6.5	3.5	6.5	2.0	14.8	2.0	1.2	Grade 2
P0159.030-022-T2	M 3	22	2	3.2	6.5	3.5	6.5	2.0	16.8	2.0	1.2	Grade 2
P0159.030-024-T2	M 3	24	2	3.2	6.5	3.5	6.5	2.0	18.8	2.0	1.2	Grade 2
P0159.030-026-T2	M 3	26	2	3.2	6.5	3.5	6.5	2.0	20.8	2.0	1.2	Grade 2
P0159.031-010-T2	M 3	10	2	3.2	8	3.5	8.0	2.0	4.8	2.0	1.2	Grade 2
P0159.031-014-T2	M 3	14	2	3.2	8	3.5	8.0	2.0	8.8	2.0	1.2	Grade 2
P0159.031-016-T2	M 3	16	2	3.2	8	3.5	8.0	2.0	10.8	2.0	1.2	Grade 2
P0159.031-020-T2	M 3	20	2	3.2	8	3.5	8.0	2.0	14.8	2.0	1.2	Grade 2
P0159.031-022-T2	M 3	22	2	3.2	8	3.5	8.0	2.0	16.8	2.0	1.2	Grade 2
P0159.031-024-T2	M 3	24	2	3.2	8	3.5	8.0	2.0	18.8	2.0	1.2	Grade 2
P0159.040-010-T2	M 4	10	3	5.5	8	4.5	8.0	2.0	2.0	2.5	1.2	Grade 2
P0159.040-014-T2	M 4	14	3	5.5	8	4.5	8.0	2.0	6.0	2.5	1.2	Grade 2
P0159.040-016-T2	M 4	16	3	5.5	8	4.5	8.0	2.0	8.0	2.5	1.2	Grade 2
P0159.040-020-T2	M 4	20	3	5.5	8	4.5	8.0	2.0	12.0	2.5	1.2	Grade 2
P0159.040-022-T2	M 4	22	3	5.5	8	4.5	8.0	2.0	14.0	2.5	1.2	Grade 2
P0159.040-024-T2	M 4	24	3	5.5	8	4.5	8.0	2.0	16.0	2.5	1.2	Grade 2
P0159.040-027-T2	M 4	27	3	5.5	8	4.5	8.0	2.0	19.0	2.5	1.2	Grade 2
P0159.040-032-T2	M 4	32	3	5.5	8	4.5	8.0	2.0	24.0	2.5	1.2	Grade 2
P0159.050-014-T2	M 5	14	3.5	6.5	10	5.5	10.0	2.5	3.5	4.0	1.5	Grade 2
P0159.050-016-T2	M 5	16	3.5	6.5	10	5.5	10.0	2.5	5.5	4.0	1.5	Grade 2
P0159.050-020-T2	M 5	20	3.5	6.5	10	5.5	10.0	2.5	9.5	4.0	1.5	Grade 2
P0159.050-022-T2	M 5	22	3.5	6.5	10	5.5	10.0	2.5	11.5	4.0	1.5	Grade 2
P0159.050-024-T2	M 5	24	3.5	6.5	10	5.5	10.0	2.5	13.5	4.0	1.5	Grade 2
P0159.050-027-T2	M 5	27	3.5	6.5	10	5.5	10.0	2.5	16.5	4.0	1.5	Grade 2
P0159.050-032-T2	M 5	32	3.5	6.5	10	5.5	10.0	2.5	21.5	4.0	1.5	Grade 2
P0159.050-035-T2	M 5	35	3.5	6.5	10	5.5	10.0	2.5	24.5	4.0	1.5	Grade 2
P0159.050-040-T2	M 5	40	3.5	6.5	10	5.5	10.0	2.5	29.5	4.0	1.5	Grade 2
P0159.060-016-T2	M 6	16	4.5	8.0	12	6.5	15.0	2.5	3.0	5.0	2.0	Grade 2



Captive Panel Thumb Screws

slot drive - titanium



Captive Screws

Order No.	d ₁	l ₁ ±0.25	d ₂ ±0.12	l ₂ ±0.25	d ₃	d ₄ min.	h ₁	h ₂	l ₃	l ₄	w ₁	Material
P0159.060-020-T2	M 6	20	4.5	8.0	12	6.5	15.0	2.5	7.0	5.0	2.0	Grade 2
P0159.060-022-T2	M 6	22	4.5	8.0	12	6.5	15.0	2.5	9.0	5.0	2.0	Grade 2
P0159.060-024-T2	M 6	24	4.5	8.0	12	6.5	15.0	2.5	11.0	5.0	2.0	Grade 2
P0159.060-027-T2	M 6	27	4.5	8.0	12	6.5	15.0	2.5	14.0	5.0	2.0	Grade 2
P0159.060-032-T2	M 6	32	4.5	8.0	12	6.5	15.0	2.5	19.0	5.0	2.0	Grade 2
P0159.060-035-T2	M 6	35	4.5	8.0	12	6.5	15.0	2.5	22.0	5.0	2.0	Grade 2
P0159.060-040-T2	M 6	40	4.5	8.0	12	6.5	15.0	2.5	27.0	8.5	2.0	Grade 2
P0159.060-045-T2	M 6	45	4.5	8.0	12	6.5	15.0	2.5	32.0	8.5	2.0	Grade 2
P0159.060-050-T2	M 6	50	4.5	8.0	12	6.5	15.0	2.5	37.0	8.5	2.0	Grade 2
P0159.030-010-T5	M 3	10	2	3.2	6.5	3.5	6.5	2.0	4.8	2.0	1.2	Grade 5
P0159.030-014-T5	M 3	14	2	3.2	6.5	3.5	6.5	2.0	8.8	2.0	1.2	Grade 5
P0159.030-016-T5	M 3	16	2	3.2	6.5	3.5	6.5	2.0	10.8	2.0	1.2	Grade 5
P0159.030-020-T5	M 3	20	2	3.2	6.5	3.5	6.5	2.0	14.8	2.0	1.2	Grade 5
P0159.030-022-T5	M 3	22	2	3.2	6.5	3.5	6.5	2.0	16.8	2.0	1.2	Grade 5
P0159.030-024-T5	M 3	24	2	3.2	6.5	3.5	6.5	2.0	18.8	2.0	1.2	Grade 5
P0159.030-026-T5	M 3	26	2	3.2	6.5	3.5	6.5	2.0	20.8	2.0	1.2	Grade 5
P0159.031-010-T5	M 3	10	2	3.2	8	3.5	8.0	2.0	4.8	2.0	1.2	Grade 5
P0159.031-014-T5	M 3	14	2	3.2	8	3.5	8.0	2.0	8.8	2.0	1.2	Grade 5
P0159.031-016-T5	M 3	16	2	3.2	8	3.5	8.0	2.0	10.8	2.0	1.2	Grade 5
P0159.031-020-T5	M 3	20	2	3.2	8	3.5	8.0	2.0	14.8	2.0	1.2	Grade 5
P0159.031-022-T5	M 3	22	2	3.2	8	3.5	8.0	2.0	16.8	2.0	1.2	Grade 5
P0159.031-024-T5	M 3	24	2	3.2	8	3.5	8.0	2.0	18.8	2.0	1.2	Grade 5
P0159.040-010-T5	M 4	10	3	5.5	8	4.5	8.0	2.0	2.0	2.5	1.2	Grade 5
P0159.040-014-T5	M 4	14	3	5.5	8	4.5	8.0	2.0	6.0	2.5	1.2	Grade 5
P0159.040-016-T5	M 4	16	3	5.5	8	4.5	8.0	2.0	8.0	2.5	1.2	Grade 5
P0159.040-020-T5	M 4	20	3	5.5	8	4.5	8.0	2.0	12.0	2.5	1.2	Grade 5
P0159.040-022-T5	M 4	22	3	5.5	8	4.5	8.0	2.0	14.0	2.5	1.2	Grade 5
P0159.040-024-T5	M 4	24	3	5.5	8	4.5	8.0	2.0	16.0	2.5	1.2	Grade 5
P0159.040-027-T5	M 4	27	3	5.5	8	4.5	8.0	2.0	19.0	2.5	1.2	Grade 5
P0159.040-032-T5	M 4	32	3	5.5	8	4.5	8.0	2.0	24.0	2.5	1.2	Grade 5
P0159.050-014-T5	M 5	14	3.5	6.5	10	5.5	10.0	2.5	3.5	4.0	1.5	Grade 5
P0159.050-016-T5	M 5	16	3.5	6.5	10	5.5	10.0	2.5	5.5	4.0	1.5	Grade 5
P0159.050-020-T5	M 5	20	3.5	6.5	10	5.5	10.0	2.5	9.5	4.0	1.5	Grade 5
P0159.050-022-T5	M 5	22	3.5	6.5	10	5.5	10.0	2.5	11.5	4.0	1.5	Grade 5
P0159.050-024-T5	M 5	24	3.5	6.5	10	5.5	10.0	2.5	13.5	4.0	1.5	Grade 5
P0159.050-027-T5	M 5	27	3.5	6.5	10	5.5	10.0	2.5	16.5	4.0	1.5	Grade 5
P0159.050-032-T5	M 5	32	3.5	6.5	10	5.5	10.0	2.5	21.5	4.0	1.5	Grade 5
P0159.050-035-T5	M 5	35	3.5	6.5	10	5.5	10.0	2.5	24.5	4.0	1.5	Grade 5
P0159.050-040-T5	M 5	40	3.5	6.5	10	5.5	10.0	2.5	29.5	4.0	1.5	Grade 5
P0159.060-016-T5	M 6	16	4.5	8.0	12	6.5	15.0	2.5	3.0	5.0	2.0	Grade 5
P0159.060-020-T5	M 6	20	4.5	8.0	12	6.5	15.0	2.5	7.0	5.0	2.0	Grade 5
P0159.060-022-T5	M 6	22	4.5	8.0	12	6.5	15.0	2.5	9.0	5.0	2.0	Grade 5
P0159.060-024-T5	M 6	24	4.5	8.0	12	6.5	15.0	2.5	11.0	5.0	2.0	Grade 5
P0159.060-027-T5	M 6	27	4.5	8.0	12	6.5	15.0	2.5	14.0	5.0	2.0	Grade 5
P0159.060-032-T5	M 6	32	4.5	8.0	12	6.5	15.0	2.5	19.0	5.0	2.0	Grade 5
P0159.060-035-T5	M 6	35	4.5	8.0	12	6.5	15.0	2.5	22.0	5.0	2.0	Grade 5
P0159.060-040-T5	M 6	40	4.5	8.0	12	6.5	15.0	2.5	27.0	8.5	2.0	Grade 5
P0159.060-045-T5	M 6	45	4.5	8.0	12	6.5	15.0	2.5	32.0	8.5	2.0	Grade 5
P0159.060-050-T5	M 6	50	4.5	8.0	12	6.5	15.0	2.5	37.0	8.5	2.0	Grade 5

CAPTIVE SCREWS