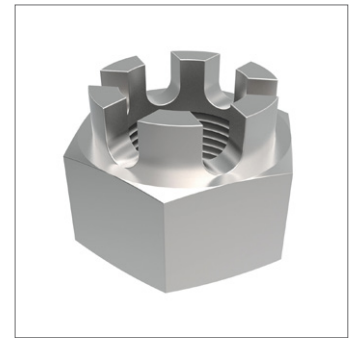
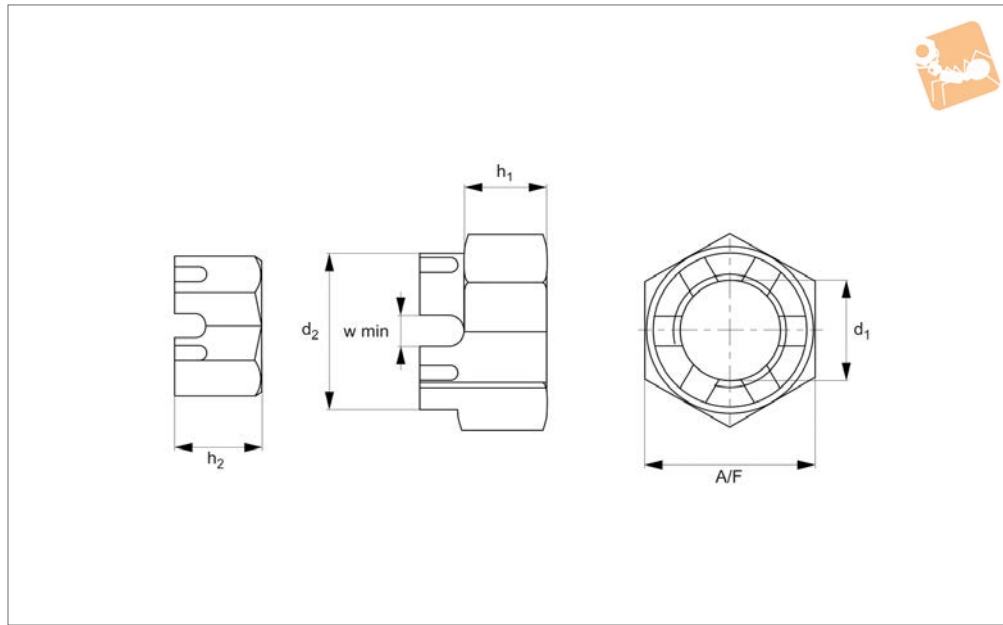




# Hexagon Castle Nuts

## A2 Stainless



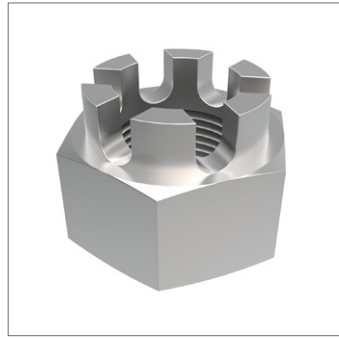
**P0320.A2**

NUTS

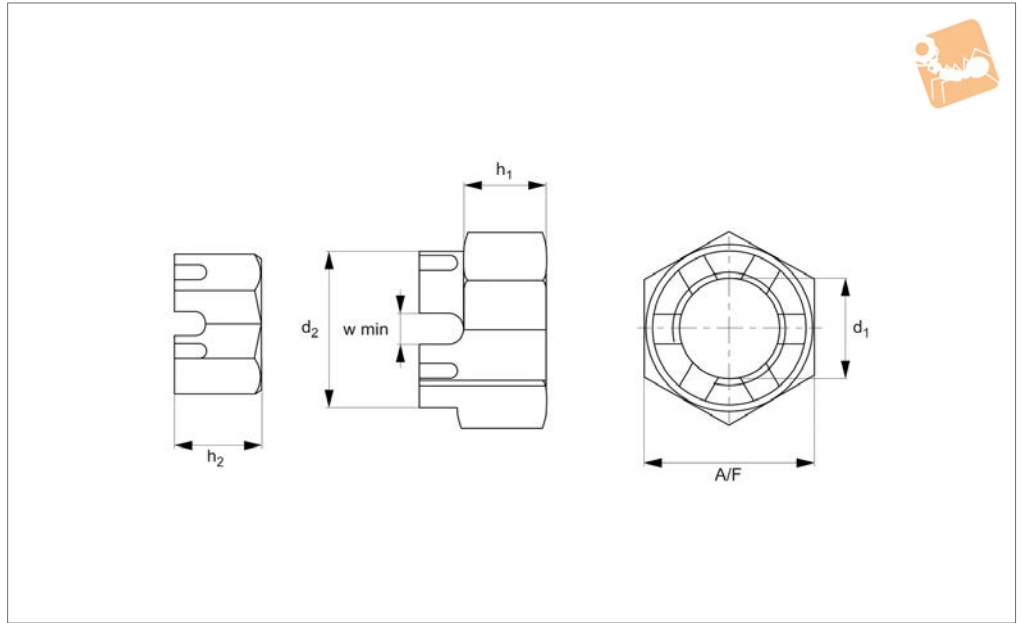
**Material**  
Stainless steel (A2).

**Technical Notes**  
To DIN 935.

Order No.	d <sub>1</sub>	h <sub>1</sub>	h <sub>2</sub>	d <sub>2</sub>	w min.	A/F	Material
P0320.050-A2	M 5	4.0	6.0	-	1.4	8	A2 s/s
P0320.060-A2	M 6	5.0	7.5	-	2.0	10	A2 s/s
P0320.080-A2	M 8	6.5	9.5	-	2.5	13	A2 s/s
P0320.100-A2	M10	8.0	12.0	-	2.8	17	A2 s/s
P0320.120-A2	M12	10.0	15.0	17	3.5	19	A2 s/s
P0320.140-A2	M14	11.0	16.0	19	3.5	22	A2 s/s
P0320.160-A2	M16	13.0	19.0	22	4.5	24	A2 s/s
P0320.180-A2	M18	15.0	21.0	25	4.5	27	A2 s/s
P0320.200-A2	M20	16.0	22.0	28	4.5	30	A2 s/s
P0320.240-A2	M24	19.0	27.0	34	5.5	36	A2 s/s
P0320.270-A2	M27	22.0	30.0	38	5.5	41	A2 s/s
P0320.300-A2	M30	24.0	33.0	42	7.0	46	A2 s/s
P0320.360-A2	M36	29.0	38.0	50	7.0	55	A2 s/s



**P0320.A4**



#### Material

Stainless steel (A4).

#### Technical Notes

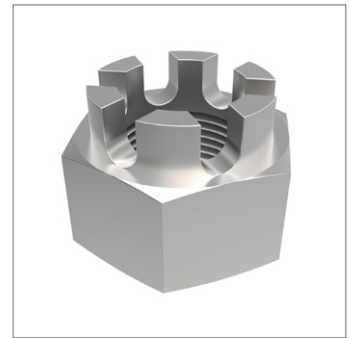
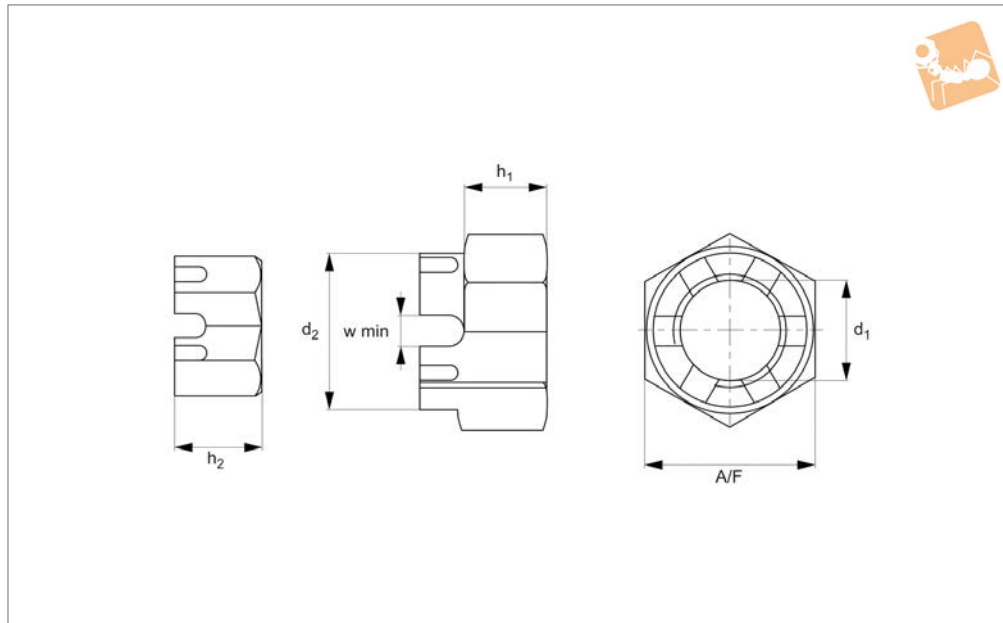
To DIN 935.

Order No.	$d_1$	$h_1$	$h_2$	$d_2$	w min.	A/F	Material
P0320.050-A4	M 5	4.0	6.0	-	1.4	8	A4 s/s
P0320.060-A4	M 6	5.0	7.5	-	2.0	10	A4 s/s
P0320.080-A4	M 8	6.5	9.5	-	2.5	13	A4 s/s
P0320.100-A4	M10	8.0	12.0	-	2.8	17	A4 s/s
P0320.120-A4	M12	10.0	15.0	17	3.5	19	A4 s/s
P0320.140-A4	M14	11.0	16.0	19	3.5	22	A4 s/s
P0320.160-A4	M16	13.0	19.0	22	4.5	24	A4 s/s
P0320.180-A4	M18	15.0	21.0	25	4.5	27	A4 s/s
P0320.200-A4	M20	16.0	22.0	28	4.5	30	A4 s/s
P0320.240-A4	M24	19.0	27.0	34	5.5	36	A4 s/s
P0320.270-A4	M27	22.0	30.0	38	5.5	41	A4 s/s
P0320.300-A4	M30	24.0	33.0	42	7.0	46	A4 s/s
P0320.360-A4	M36	29.0	38.0	50	7.0	55	A4 s/s



# Hexagon Castle Nuts

Steel, zinc-plated



**P0320.ZP**

NUTS

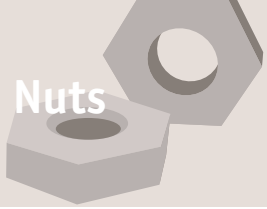
### Material

Steel (class 4), zinc-plated.

### Technical Notes

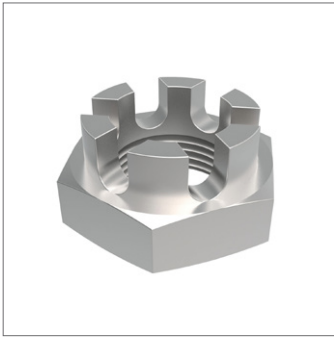
To DIN 935.

Order No.	d <sub>1</sub>	h <sub>1</sub>	h <sub>2</sub>	d <sub>2</sub>	w min.	A/F	Material
P0320.050-ZP	M 5	4.0	6.0	-	1.4	8	Steel ZP
P0320.060-ZP	M 6	5.0	7.5	-	2.0	10	Steel ZP
P0320.080-ZP	M 8	6.5	9.5	-	2.5	13	Steel ZP
P0320.100-ZP	M10	8.0	12.0	-	2.8	17	Steel ZP
P0320.120-ZP	M12	10.0	15.0	17	3.5	19	Steel ZP
P0320.140-ZP	M14	11.0	16.0	19	3.5	22	Steel ZP
P0320.160-ZP	M16	13.0	19.0	22	4.5	24	Steel ZP
P0320.180-ZP	M18	15.0	21.0	25	4.5	27	Steel ZP
P0320.200-ZP	M20	16.0	22.0	28	4.5	30	Steel ZP
P0320.240-ZP	M24	19.0	27.0	34	5.5	36	Steel ZP
P0320.270-ZP	M27	22.0	30.0	38	5.5	41	Steel ZP
P0320.300-ZP	M30	24.0	33.0	42	7.0	46	Steel ZP
P0320.360-ZP	M36	29.0	38.0	50	7.0	55	Steel ZP

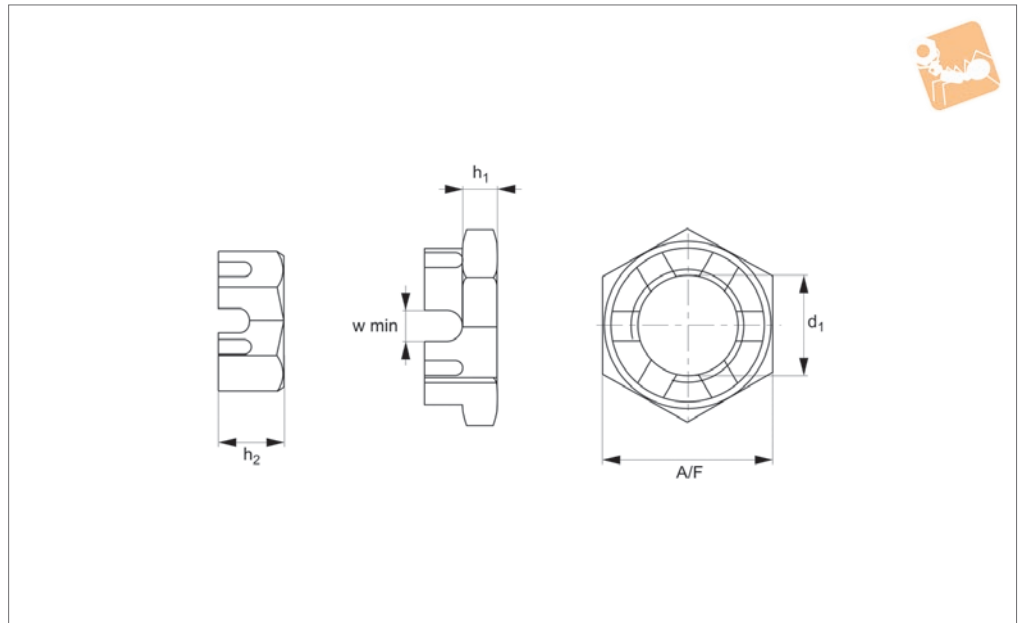


# Hexagon Castle Nuts Thin Type

Thin Type - A2 stainless



## P0321.A2



### Material

Stainless steel (A2).

### Technical Notes

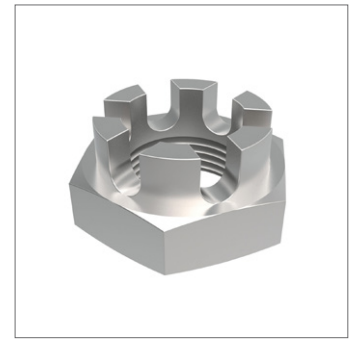
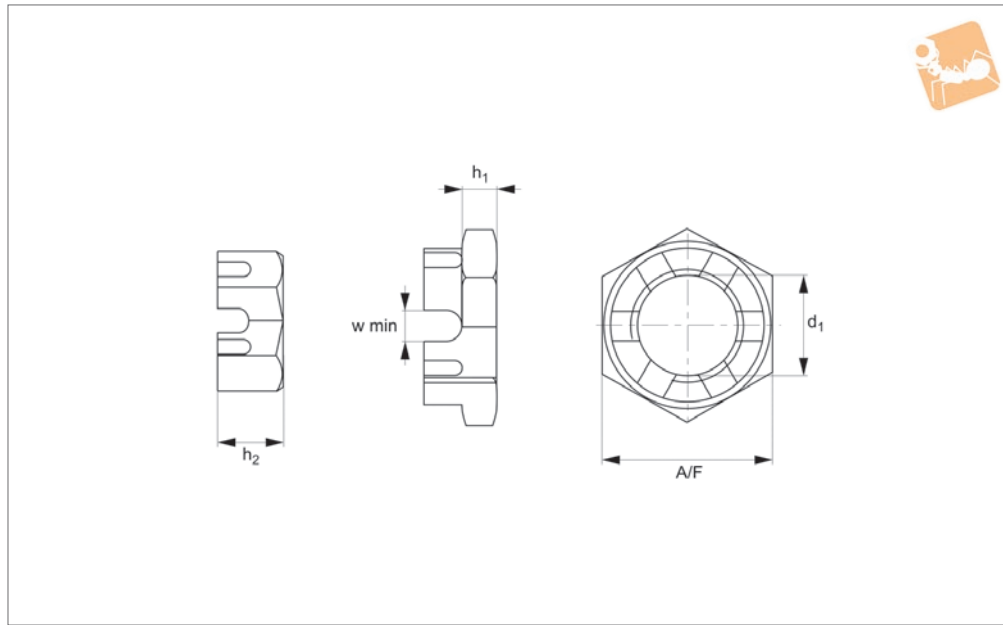
To DIN 937.

Order No.	$d_1$	$h_1$	$h_2$	$w_{min.}$	A/F	Material
P0321.060-A2	M 6	3.5	5.70	2.0	10	A2 s/s
P0321.080-A2	M 8	4.5	7.64	2.5	13	A2 s/s
P0312.100-A2	M10	5.0	8.64	2.8	17	A2 s/s
P0321.120-A2	M12	6.0	9.64	3.5	19	A2 s/s
P0321.140-A2	M14	7.0	10.57	3.5	22	A2 s/s
P0321.160-A2	M16	7.0	11.57	4.5	24	A2 s/s
P0321.180-A2	M18	8.0	12.30	4.5	27	A2 s/s
P0321.200-A2	M20	8.0	12.30	4.5	30	A2 s/s
P0321.240-A2	M24	9.0	14.30	5.5	36	A2 s/s
P0321.270-A2	M27	11.0	16.30	5.5	41	A2 s/s
P0321.300-A2	M30	11.0	17.30	7.0	46	A2 s/s



# Hexagon Castle Nuts Thin Type

Thin Type - A4 stainless



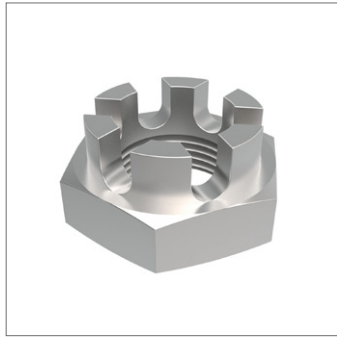
**P0321.A4**

NUTS

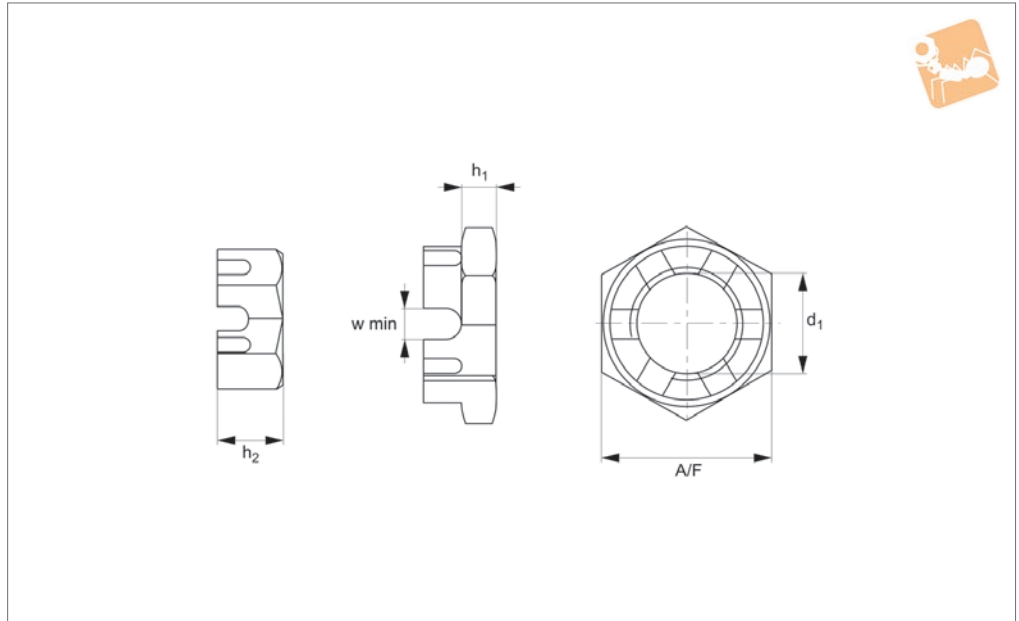
**Material**  
Stainless steel (A4).

**Technical Notes**  
To DIN 937.

Order No.	d <sub>1</sub>	h <sub>1</sub>	h <sub>2</sub>	w min.	A/F	Material
P0321.060-A4	M 6	3.5	5.70	2.0	10	A4 s/s
P0321.080-A4	M 8	4.5	7.64	2.5	13	A4 s/s
P0312.100-A4	M10	5.0	8.64	2.8	17	A4 s/s
P0321.120-A4	M12	6.0	9.64	3.5	19	A4 s/s
P0321.140-A4	M14	7.0	10.57	3.5	22	A4 s/s
P0321.160-A4	M16	7.0	11.57	4.5	24	A4 s/s
P0321.180-A4	M18	8.0	12.30	4.5	27	A4 s/s
P0321.200-A4	M20	8.0	12.30	4.5	30	A4 s/s
P0321.240-A4	M24	9.0	14.30	5.5	36	A4 s/s
P0321.270-A4	M27	11.0	16.30	5.5	41	A4 s/s
P0321.300-A4	M30	11.0	17.30	7.0	46	A4 s/s



**P0321.ZP**



#### Material

Steel, zinc-plated.

#### Technical Notes

To DIN 937.

Order No.	$d_1$	$h_1$	$h_2$	$w$ min.	A/F	Material
P0321.060-ZP	M 6	3.5	5.70	2.0	10	Steel ZP
P0321.080-ZP	M 8	4.5	7.64	2.5	13	Steel ZP
P0321.100-ZP	M10	5.0	8.64	2.8	17	Steel ZP
P0321.120-ZP	M12	6.0	9.64	3.5	19	Steel ZP
P0321.140-ZP	M14	7.0	10.57	3.5	22	Steel ZP
P0321.160-ZP	M16	7.0	11.57	4.5	24	Steel ZP
P0321.180-ZP	M18	8.0	12.30	4.5	27	Steel ZP
P0321.200-ZP	M20	8.0	12.30	4.5	30	Steel ZP
P0321.240-ZP	M24	9.0	14.30	5.5	36	Steel ZP
P0321.270-ZP	M27	11.0	16.30	5.5	41	Steel ZP
P0321.300-ZP	M30	11.0	17.30	7.0	46	Steel ZP