

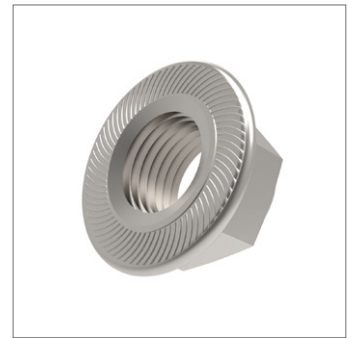
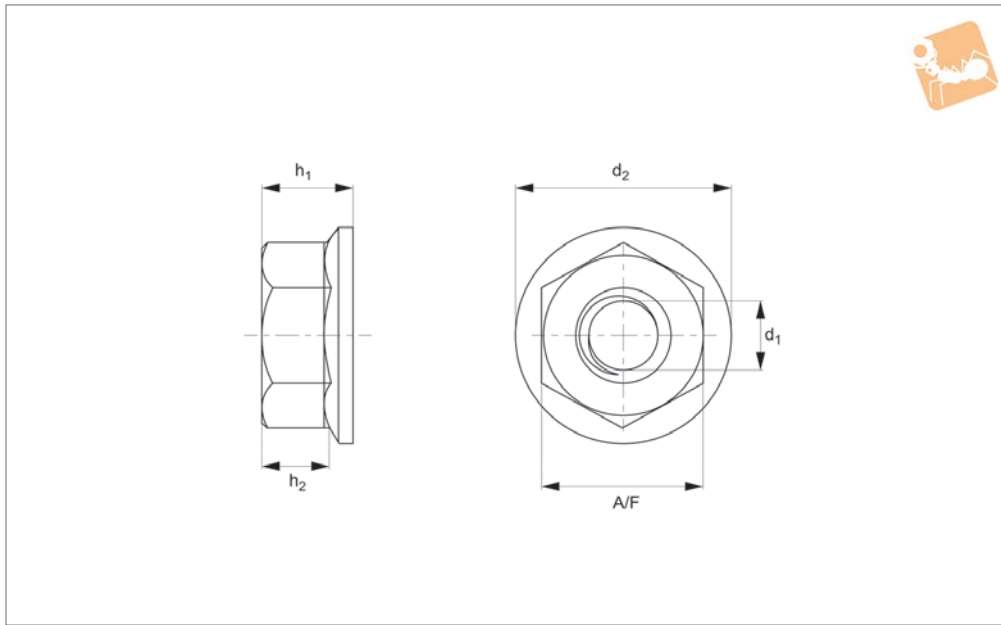


# Serrated Flanged Nuts

Serrated - A2 stainless



Nuts



**P0309.A2**

NUTS

**Material**  
Stainless steel (A2).

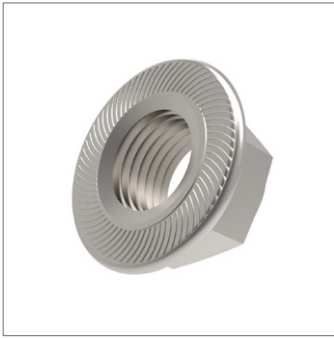
**Technical Notes**  
To DIN 6923, serrated.

Order No.	d <sub>1</sub>	d <sub>2</sub> max.	h <sub>1</sub> max.	h <sub>2</sub> min.	A/F	Material
P0309.040-A2	M 4	10	4.65	1.9	7	A2 s/s
P0309.030-A2	M 3	8	3.7	-	5.5	A2 s/s
P0309.050-A2	M 5	11.8	5.0	2.2	8	A2 s/s
P0309.060-A2	M 6	14.2	6.0	3.1	10	A2 s/s
P0309.080-A2	M 8	17.9	8.0	4.5	13	A2 s/s
P0309.100-A2	M10	21.8	10.0	5.5	15	A2 s/s
P0309.120-A2	M12	26.0	12.0	6.7	18	A2 s/s
P0309.160-A2	M16	34.5	16.0	-	24	A2 s/s

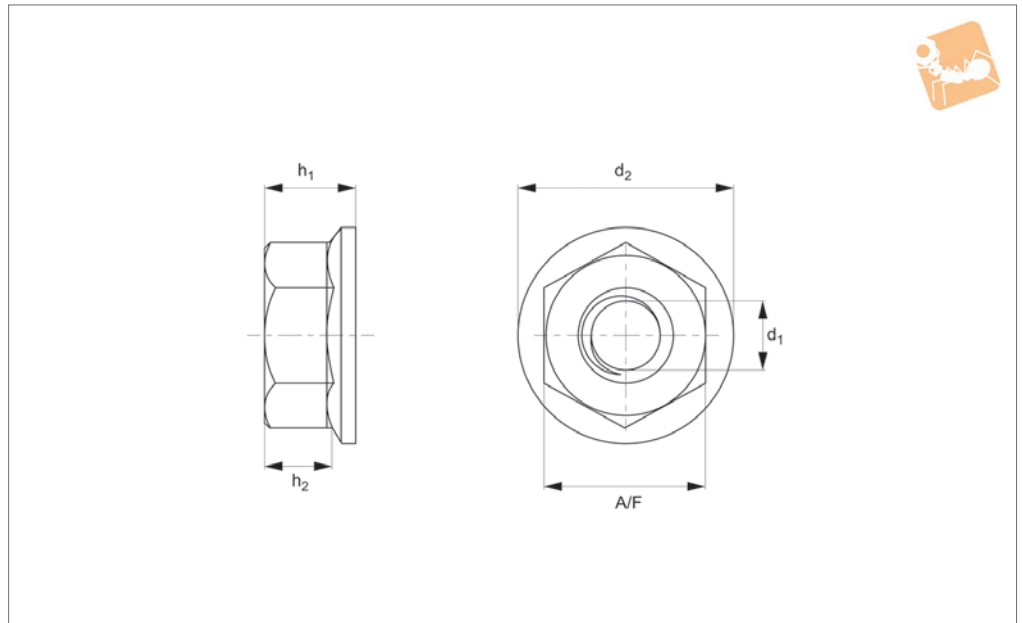


# Serrated Flanged Nuts

Serrated - A4 stainless



## P0309.A4



### Material

Stainless steel (A4).

### Technical Notes

To DIN 6923, serrated.

Order No.	d <sub>1</sub>	d <sub>2</sub> max.	h <sub>1</sub> max.	h <sub>2</sub> min.	A/F	Material
P0309.030-A4	M 3	8	3.7	-	5.5	A4 s/s
P0309.040-A4	M 4	10	4.65	1.9	7	A4 s/s
P0309.050-A4	M 5	11.8	5.0	2.2	8	A4 s/s
P0309.060-A4	M 6	14.2	6.0	3.1	10	A4 s/s
P0309.080-A4	M 8	17.9	8.0	4.5	13	A4 s/s
P0309.100-A4	M10	21.8	10.0	5.5	15	A4 s/s
P0309.120-A4	M12	26.0	12.0	6.7	18	A4 s/s
P0309.160-A4	M16	34.5	16.0	-	24	A4 s/s

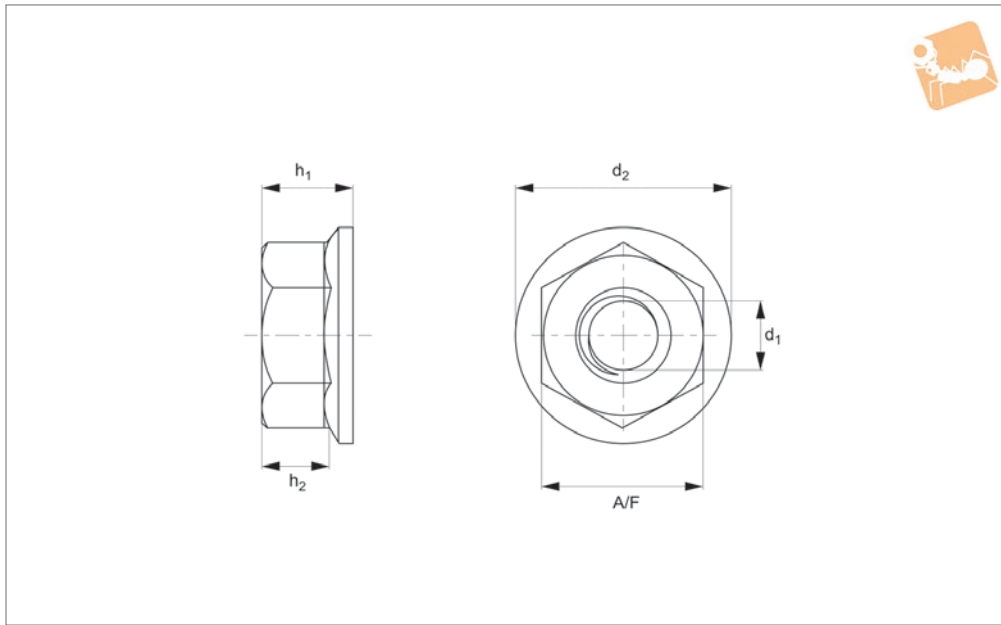


# Serrated Flanged Nuts

Serrated - zinc-plated



Nuts



**P0309.ZP**

NUTS

### Material

Steel (class 8), zinc-plated.

### Technical Notes

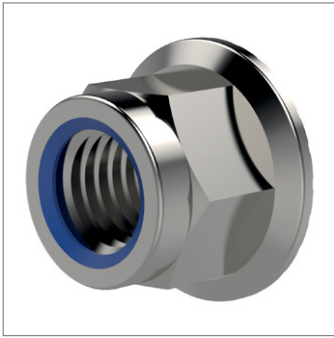
To DIN 6923, serrated.

Order No.	d <sub>1</sub>	d <sub>2</sub> max.	h <sub>1</sub> max.	h <sub>2</sub> min.	A/F	Material
P0309.040-ZP	M 4	10	4.65	1.9	7	Steel ZP
P0309.050-ZP	M 5	11.8	5.0	2.2	8	Steel ZP
P0309.060-ZP	M 6	14.2	6.0	3.1	10	Steel ZP
P0309.080-ZP	M 8	17.9	8.0	4.5	13	Steel ZP
P0309.100-ZP	M10	21.8	10.0	5.5	15	Steel ZP
P0309.120-ZP	M12	26.0	12.0	6.7	18	Steel ZP
P0309.160-ZP	M16	34.5	16.0	-	24	Steel ZP
P0309.200-ZP	M20	42.8	20.0	-	30	Steel ZP

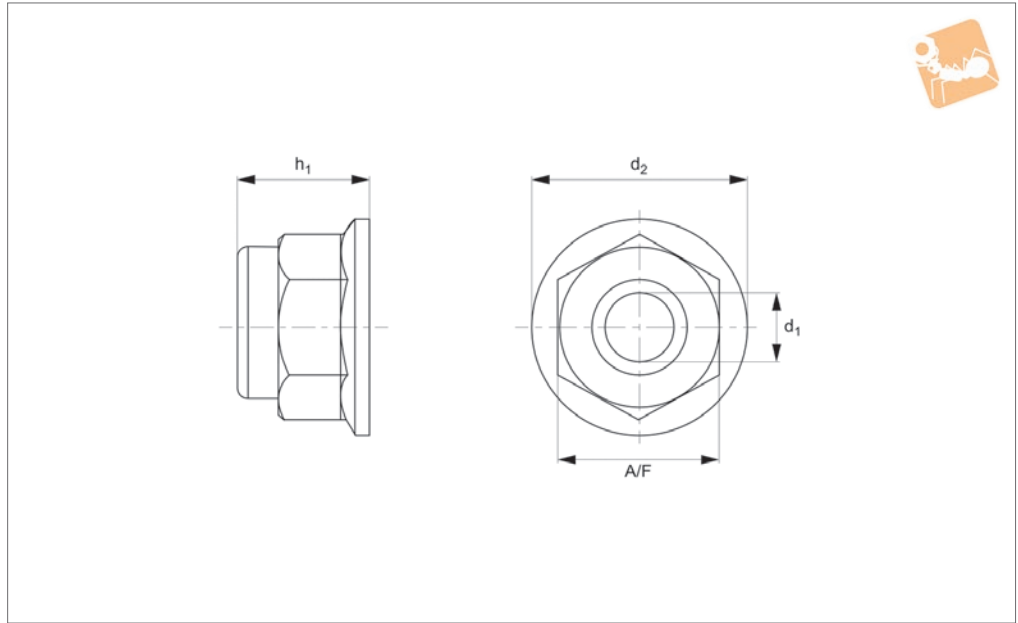


# Nylon Insert Serrated Flanged Nuts

Serrated - A2 stainless nylon insert



## P0310.A2



### Material

Stainless steel (A2).

### Technical Notes

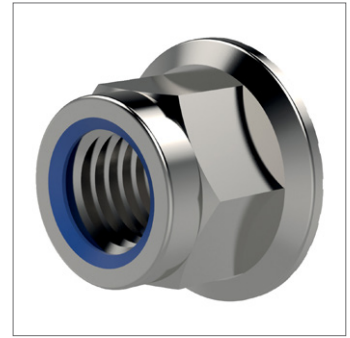
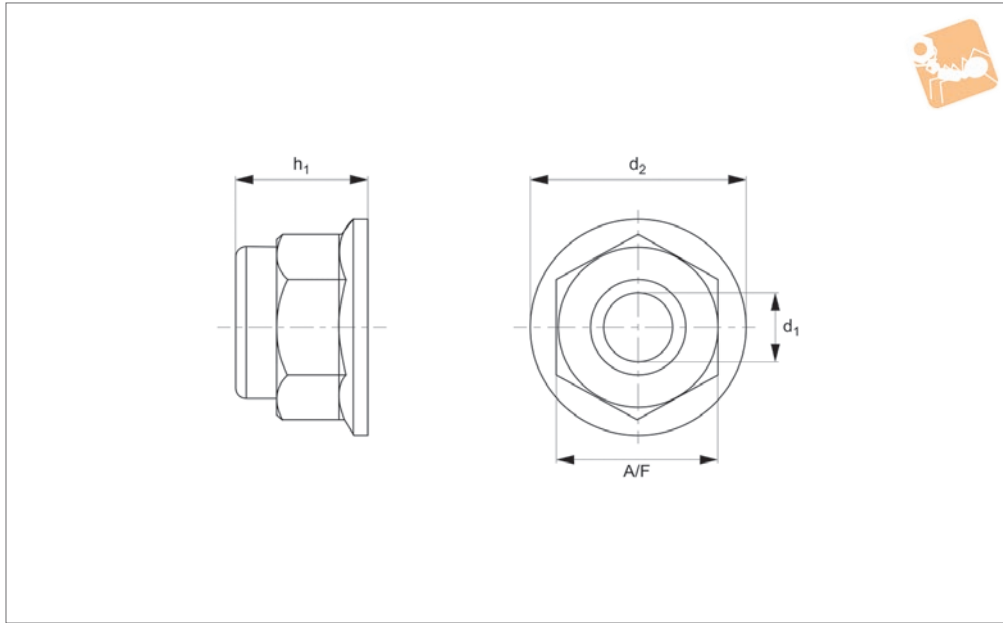
To DIN 6926, serrated.

Order No.	$d_1$	$d_2$ max.	$h_1$	A/F	Material
P0310.040-A2	M 4	10	6,10 - 5,74	7	A2 stainless steel
P0310.050-A2	M 5	11.8	7,10 - 6,74	8	A2 stainless steel
P0310.060-A2	M 6	14.2	9,10 - 8,74	10	A2 stainless steel
P0310.080-A2	M 8	17.9	11,10 - 10,67	13	A2 stainless steel
P0310.100-A2	M10	21.8	13,50 - 13,07	15	A2 stainless steel
P0310.120-A2	M12	26.0	16,10 - 15,67	18	A2 stainless steel



# Nylon Insert Serrated Flanged Nuts

Serrated - A4 stainless nylon insert



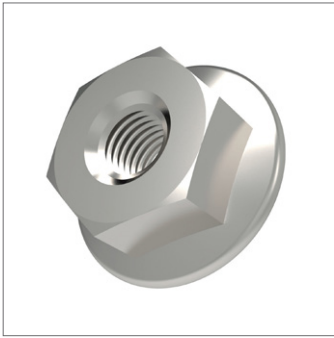
**P0310.A4**

NUTS

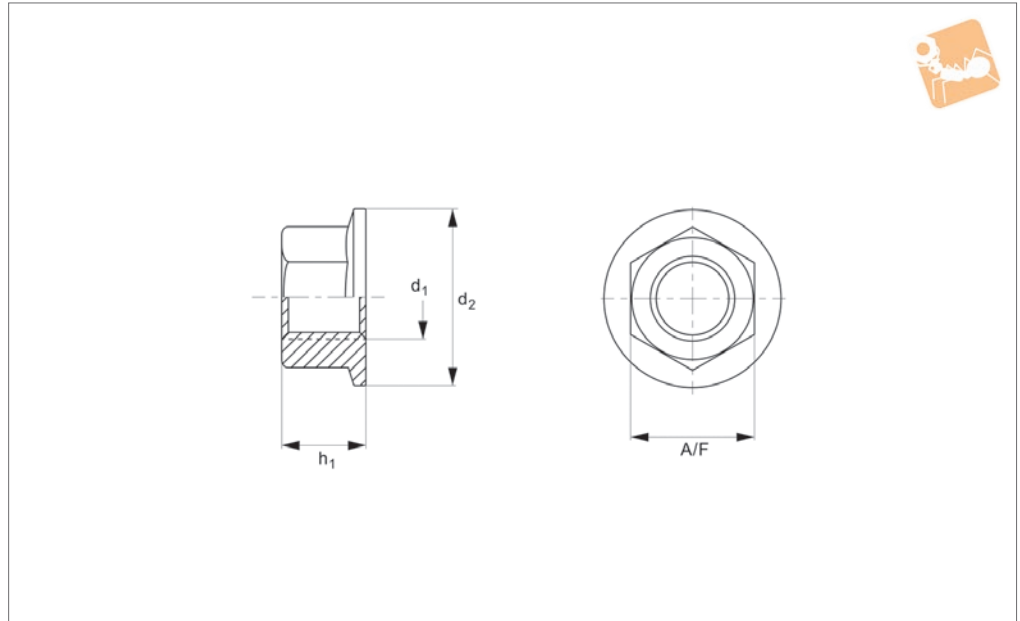
**Material**  
Stainless steel (A4).

**Technical Notes**  
To DIN 6926, serrated.

Order No.	d <sub>1</sub>	d <sub>2</sub> max.	h <sub>1</sub>	A/F	Material
P0310.040-A4	M 4	10	6,10 - 5,74	7	A4 stainless steel
P0310.050-A4	M 5	11.8	7,10 - 6,74	8	A4 stainless steel
P0310.060-A4	M 6	14.2	9,10 - 8,74	10	A4 stainless steel
P0310.080-A4	M 8	17.9	11,10 - 10,67	13	A4 stainless steel
P0310.100-A4	M10	21.8	13,50 - 13,07	15	A4 stainless steel
P0310.120-A4	M12	26.0	16,10 - 15,67	18	A4 stainless steel



## P0311.A2



### Material

Stainless steel (A2).

### Technical Notes

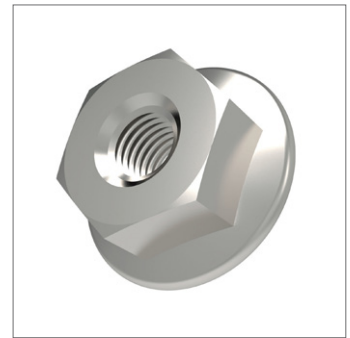
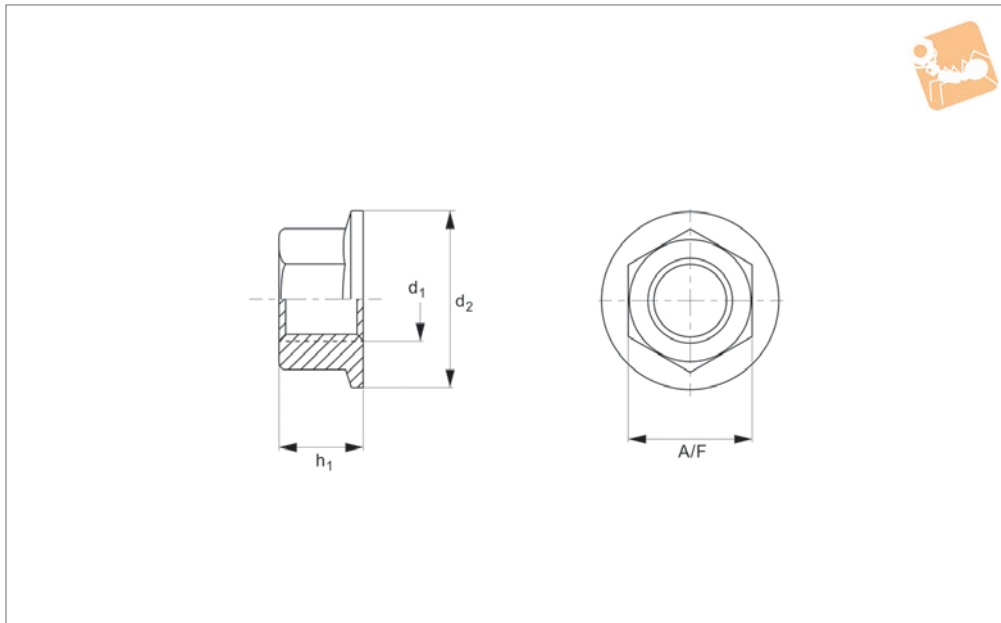
To DIN 6923.

Order No.	$d_1$	$d_2$ max.	$h_1$ max.	A/F	Material
P0311.040-A2	M 4	10.0	4.5	7	A2 s/s
P0311.050-A2	M 5	11.8	5.0	8	A2 s/s
P0311.060-A2	M 6	14.2	6.0	10	A2 s/s
P0311.080-A2	M 8	17.9	8.0	13	A2 s/s
P0311.100-A2	M10	21.8	10.0	15	A2 s/s
P0311.120-A2	M12	26.0	12.0	18	A2 s/s
P0311.160-A2	M16	34.5	16.0	24	A2 s/s
P0311.200-A2	M20	43.0	20.0	30	A2 s/s
P0311.240-A2	M24	51.0	24.0	36	A2 s/s



# Flanged Nuts

Steel, zinc-plated



**P0311.ZP**

NUTS

### Material

Steel (class 8), zinc-plated.

### Technical Notes

To DIN 6923.

Order No.	d <sub>1</sub>	d <sub>2</sub> max.	h <sub>1</sub> max.	A/F	Material
P0311.040-ZP	M 4	10.0	4.5	7	Steel ZP
P0311.050-ZP	M 5	11.8	5.0	8	Steel ZP
P0311.060-ZP	M 6	14.2	6.0	10	Steel ZP
P0311.080-ZP	M 8	17.9	8.0	13	Steel ZP
P0311.100-ZP	M10	21.8	10.0	15	Steel ZP
P0311.120-ZP	M12	26.0	12.0	18	Steel ZP
P0311.160-ZP	M16	34.5	16.0	24	Steel ZP
P0311.200-ZP	M20	43.0	20.0	30	Steel ZP
P0311.240-ZP	M24	51.0	24.0	36	Steel ZP