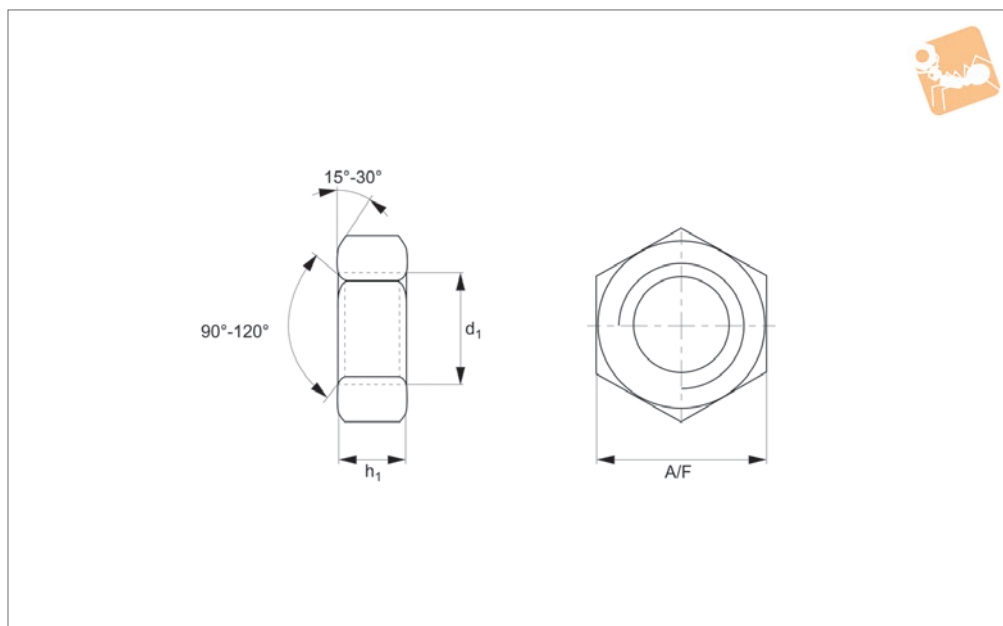
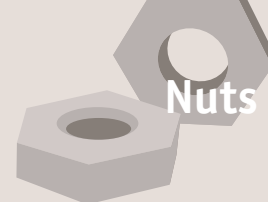


Full Nuts Fine Thread

A2 stainless



P0302.A2

NUTS

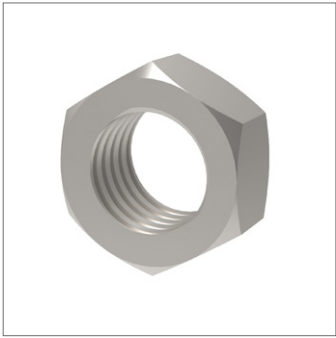
Material

Stainless steel (A2).

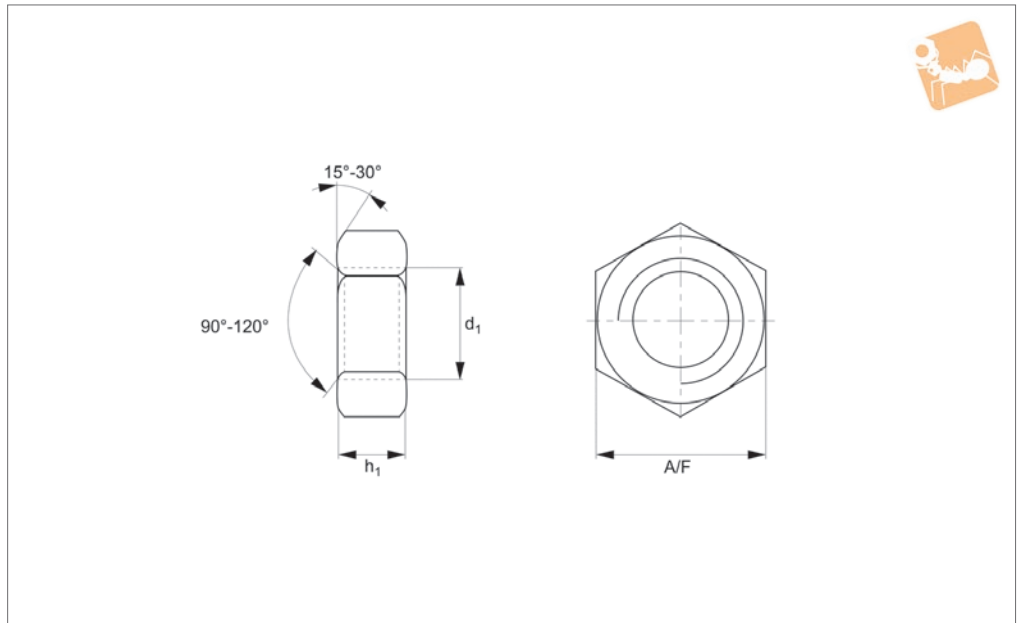
Technical Notes

DIN 934. Fine pitch threads.
For coarse thread full nuts see P0301.

Order No.	d ₁	h ₁ min.	A/F	Material
P0302.080-100-A2	M08x1,0	6.14	13	A2 s/s
P0302.100-100-A2	M10x1,0	7.64	17	A2 s/s
P0302.100-125-A2	M10x1,25	7.64	17	A2 s/s
P0302.120-125-A2	M12x1,25	9.64	19	A2 s/s
P0302.120-150-A2	M12x1,5	9.64	19	A2 s/s
P0302.140-150-A2	M14x1,5	10.3	22	A2 s/s
P0302.160-150-A2	M16x1,5	12.3	24	A2 s/s
P0302.180-150-A2	M18x1,5	14.3	27	A2 s/s
P0302.200-150-A2	M20x1,5	14.9	30	A2 s/s
P0302.200-200-A2	M20x2,0	14.9	30	A2 s/s
P0302.220-150-A2	M22x1,5	16.9	32	A2 s/s
P0302.240-150-A2	M24x1,5	17.7	36	A2 s/s
P0302.240-200-A2	M24x2,0	17.7	36	A2 s/s
P0302.270-150-A2	M27x1,5	20.7	41	A2 s/s
P0302.270-200-A2	M27x2,0	20.7	41	A2 s/s
P0302.300-200-A2	M30x2,0	22.7	46	A2 s/s
P0302.300-150-A2	M30x1,5	22.7	46	A2 s/s
P0302.360-150-A2	M36x1,5	27.4	55	A2 s/s
P0302.360-300-A2	M36x3,0	27.4	55	A2 s/s



P0302.A4



Material

Stainless steel (A4).

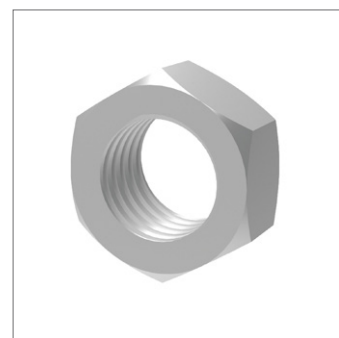
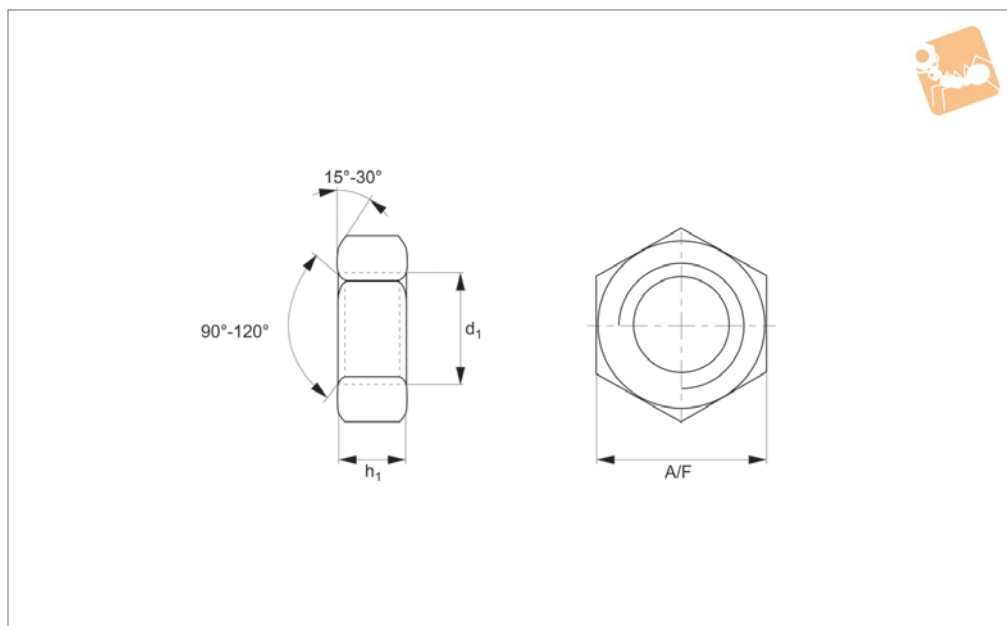
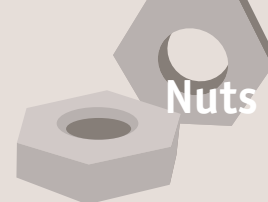
Technical Notes

DIN 934. Fine pitch threads.
For coarse thread full nuts see P0301.

Order No.	d_1	h_1 min.	A/F	Material
P0302.080-100-A4	M08x1,0	6.14	13	A4 s/s
P0302.100-100-A4	M10x1,0	7.64	17	A4 s/s
P0302.100-125-A4	M10x1,25	7.64	17	A4 s/s
P0302.120-125-A4	M12x1,25	9.64	19	A4 s/s
P0302.120-150-A4	M12x1,5	9.64	19	A4 s/s
P0302.140-150-A4	M14x1,5	10.3	22	A4 s/s
P0302.160-150-A4	M16x1,5	12.3	24	A4 s/s
P0302.180-150-A4	M18x1,5	14.3	27	A4 s/s
P0302.200-150-A4	M20x1,5	14.9	30	A4 s/s
P0302.200-200-A4	M20x2,0	14.9	30	A4 s/s
P0302.220-150-A4	M22x1,5	16.9	32	A4 s/s
P0302.240-150-A4	M24x1,5	17.7	36	A4 s/s
P0302.240-200-A4	M24x2,0	17.7	36	A4 s/s
P0302.270-150-A4	M27x1,5	20.7	41	A4 s/s
P0302.270-200-A4	M27x2,0	20.7	41	A4 s/s
P0302.300-150-A4	M30x1,5	22.7	46	A4 s/s
P0302.300-200-A4	M30x2,0	22.7	46	A4 s/s
P0302.360-150-A4	M36x1,50	27.4	55	A4 s/s
P0302.360-300-A4	M36x3,0	27.4	55	A4 s/s

Full Nuts Fine Thread

Steel, zinc-plated



P0302.ZP

NUTS

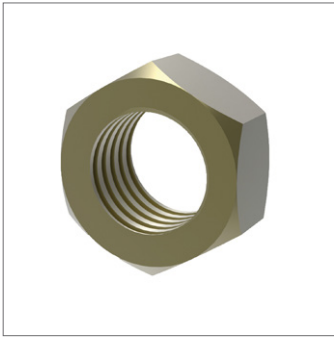
Material

Steel (class 8), zinc-plated.

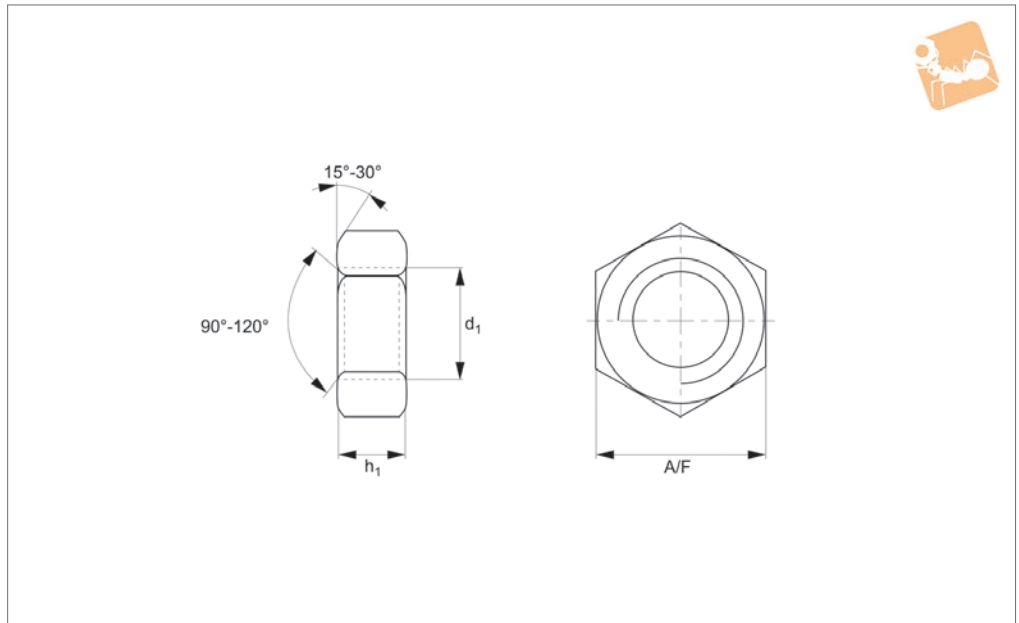
Technical Notes

DIN 934. Fine pitch threads.
For coarse thread full nuts see P0301.

Order No.	d ₁	h min.	A/F	Material
P0302.080-100-ZP	M08x1,0	6.14	13	Steel ZP
P0302.100-100-ZP	M10x1,0	7.64	17	Steel ZP
P0302.100-125-ZP	M10x1,25	7.64	17	Steel ZP
P0302.120-150-ZP	M12x1,5	9.64	19	Steel ZP
P0302.120-125-ZP	M12x1,25	9.64	19	Steel ZP
P0302.140-150-ZP	M14x1,5	10.3	22	Steel ZP
P0302.160-150-ZP	M16x1,5	12.3	24	Steel ZP
P0302.180-150-ZP	M18x1,5	14.3	27	Steel ZP
P0302.200-150-ZP	M20x1,5	14.9	30	Steel ZP
P0302.200-200-ZP	M20x2,0	14.9	30	Steel ZP
P0302.220-150-ZP	M22x1,5	16.9	32	Steel ZP
P0302.240-150-ZP	M24x1,5	17.7	36	Steel ZP
P0302.240-200-ZP	M24x2,0	17.7	36	Steel ZP
P0302.270-150-ZP	M27x1,5	20.7	41	Steel ZP
P0302.270-200-ZP	M27x2,0	20.7	41	Steel ZP
P0302.300-150-ZP	M30x1,5	22.7	46	Steel ZP
P0302.300-200-ZP	M30x2,0	22.7	46	Steel ZP
P0302.360-150-ZP	M36x1,5	27.4	55	Steel ZP
P0302.360-300-ZP	M36x3,0	27.4	55	Steel ZP



P0302.BR



Material

Brass.

Technical Notes

DIN 934. Fine pitch threads.

For coarse thread full nuts see P0301.

Order No.	d_1	h_1 min.	A/F	Material
P0302.080-100-BR	M8x1	6.14	13	Brass
P0302.100-100-BR	M10x1	7.64	17	Brass
P0302.120-150-BR	M12x1,5	9.64	19	Brass
P0302.140-150-BR	M14x1,5	10.3	22	Brass
P0302.160-150-BR	M16x1,5	12.3	24	Brass
P0302.180-150-BR	M18x1,5	14.3	27	Brass
P0302.200-150-BR	M20x1,5	14.9	30	Brass
P0302.220-150-BR	M22x1,5	16.9	32	Brass
P0302.240-150-BR	M24x1,5	17.7	36	Brass
P0302.270-150-BR	M27x1,5	20.7	41	Brass
P0302.300-150-BR	M30x1,5	22.7	46	Brass
P0302.300-200-BR	M30x2,0	22.7	46	Brass