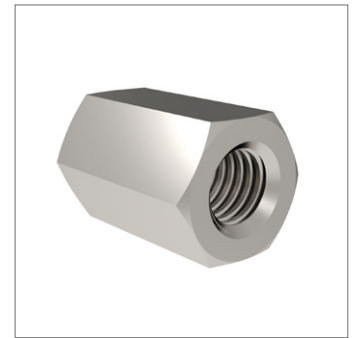
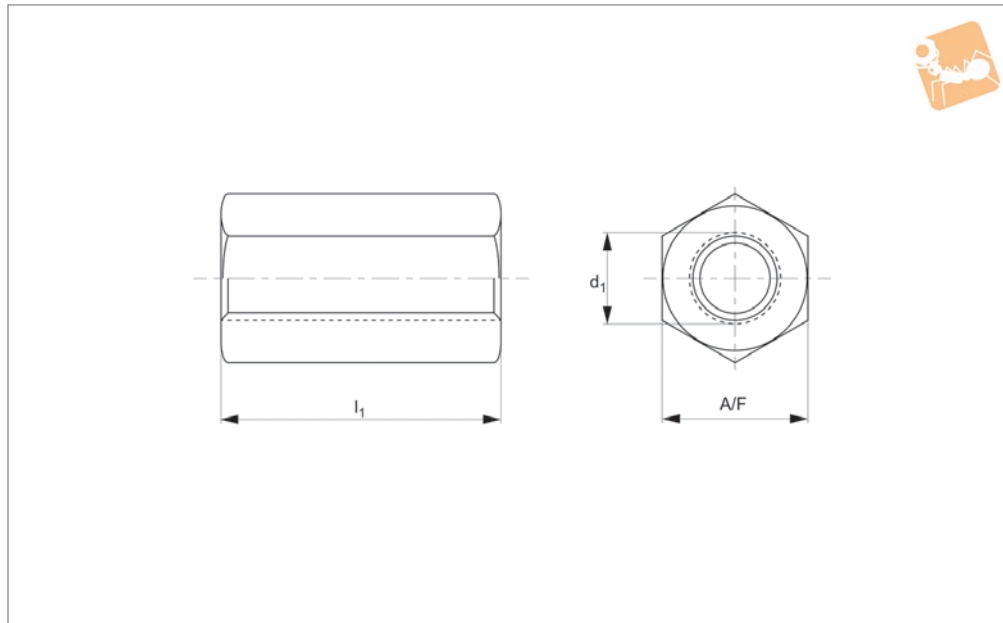




# Hexagonal Coupler Nuts

A2 & A4 stainless



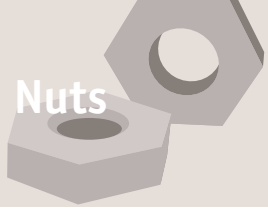
**P0322.H**

NUTS

### Material

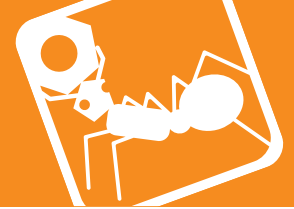
Stainless steel (A2 & A4)

| Order No.        | d <sub>1</sub> | l <sub>1</sub> | A/F | Material |
|------------------|----------------|----------------|-----|----------|
| P0322.060-020-H2 | M 6            | 20             | 10  | A2 s/s   |
| P0322.060-025-H2 | M 6            | 25             | 10  | A2 s/s   |
| P0322.060-030-H2 | M 6            | 30             | 10  | A2 s/s   |
| P0322.060-035-H2 | M 6            | 35             | 10  | A2 s/s   |
| P0322.060-040-H2 | M 6            | 40             | 10  | A2 s/s   |
| P0322.080-020-H2 | M 8            | 20             | 13  | A2 s/s   |
| P0322.080-025-H2 | M 8            | 25             | 13  | A2 s/s   |
| P0322.080-030-H2 | M 8            | 30             | 13  | A2 s/s   |
| P0322.080-035-H2 | M 8            | 35             | 13  | A2 s/s   |
| P0322.080-040-H2 | M 8            | 40             | 13  | A2 s/s   |
| P0322.080-050-H2 | M 8            | 50             | 13  | A2 s/s   |
| P0322.100-020-H2 | M10            | 20             | 17  | A2 s/s   |
| P0322.100-025-H2 | M10            | 25             | 17  | A2 s/s   |
| P0322.100-030-H2 | M10            | 30             | 17  | A2 s/s   |
| P0322.100-035-H2 | M10            | 35             | 17  | A2 s/s   |
| P0322.100-040-H2 | M10            | 40             | 17  | A2 s/s   |
| P0322.100-050-H2 | M10            | 50             | 17  | A2 s/s   |
| P0322.120-030-H2 | M12            | 30             | 19  | A2 s/s   |
| P0322.120-035-H2 | M12            | 35             | 19  | A2 s/s   |
| P0322.120-040-H2 | M12            | 40             | 19  | A2 s/s   |
| P0322.120-050-H2 | M12            | 50             | 19  | A2 s/s   |
| P0322.160-040-H2 | M16            | 40             | 24  | A2 s/s   |
| P0322.160-050-H2 | M16            | 50             | 24  | A2 s/s   |
| P0322.200-050-H2 | M20            | 50             | 30  | A2 s/s   |
| P0322.240-050-H2 | M24            | 50             | 36  | A2 s/s   |
| P0322.300-060-H2 | M30            | 60             | 46  | A2 s/s   |
| P0322.060-020-H4 | M 6            | 20             | 10  | A4 s/s   |
| P0322.060-025-H4 | M 6            | 25             | 10  | A4 s/s   |
| P0322.060-030-H4 | M 6            | 30             | 10  | A4 s/s   |
| P0322.060-035-H4 | M 6            | 35             | 10  | A4 s/s   |
| P0322.060-040-H4 | M 6            | 40             | 10  | A4 s/s   |
| P0322.080-020-H4 | M 8            | 20             | 13  | A4 s/s   |
| P0322.080-025-H4 | M 8            | 25             | 13  | A4 s/s   |
| P0322.080-030-H4 | M 8            | 30             | 13  | A4 s/s   |
| P0322.080-035-H4 | M 8            | 35             | 13  | A4 s/s   |



# Hexagonal Coupler Nuts

A2 & A4 stainless

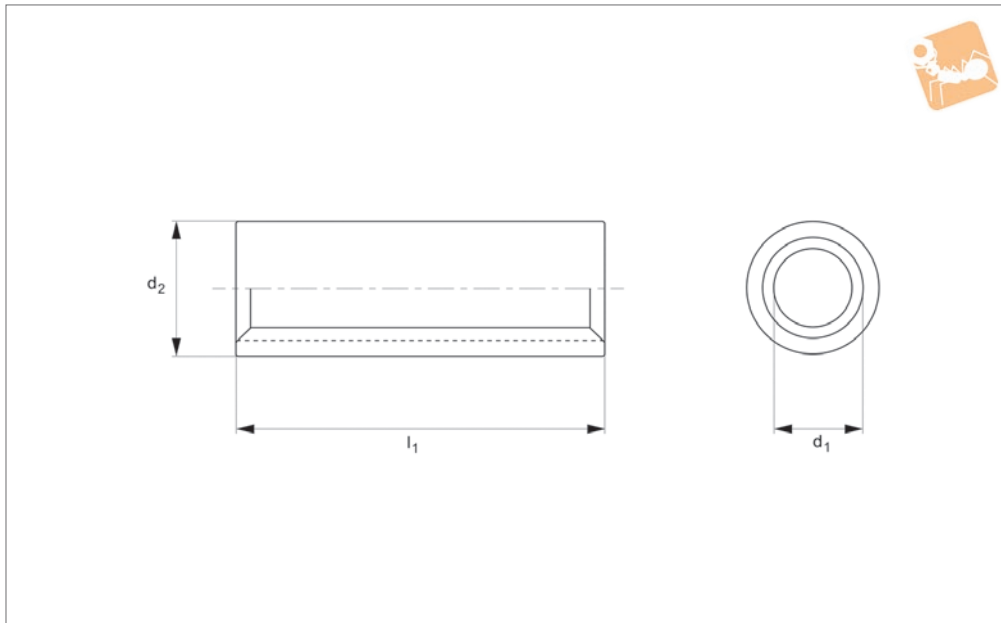


| Order No.        | d <sub>1</sub> | l <sub>1</sub> | A/F | Material |
|------------------|----------------|----------------|-----|----------|
| P0322.080-040-H4 | M 8            | 40             | 13  | A4 s/s   |
| P0322.080-050-H4 | M 8            | 50             | 13  | A4 s/s   |
| P0322.100-020-H4 | M10            | 20             | 17  | A4 s/s   |
| P0322.100-025-H4 | M10            | 25             | 17  | A4 s/s   |
| P0322.100-030-H4 | M10            | 30             | 17  | A4 s/s   |
| P0322.100-035-H4 | M10            | 35             | 17  | A4 s/s   |
| P0322.100-040-H4 | M10            | 40             | 17  | A4 s/s   |
| P0322.120-030-H4 | M12            | 30             | 19  | A4 s/s   |
| P0322.120-035-H4 | M12            | 35             | 19  | A4 s/s   |
| P0322.120-040-H4 | M12            | 40             | 19  | A4 s/s   |
| P0322.120-050-H4 | M12            | 50             | 19  | A4 s/s   |
| P0322.160-040-H4 | M16            | 40             | 24  | A4 s/s   |
| P0322.160-050-H4 | M16            | 50             | 24  | A4 s/s   |
| P0322.200-050-H4 | M20            | 50             | 30  | A4 s/s   |
| P0322.240-050-H4 | M24            | 50             | 36  | A4 s/s   |
| P0322.300-060-H4 | M30            | 60             | 46  | A4 s/s   |



# Round Coupler Nuts

A2 & A4 stainless



**P0322.R**

NUTS

## Material

Stainless steel (A2 & A4)

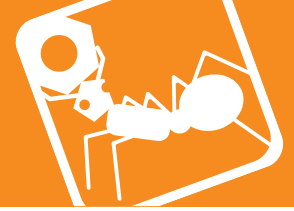
| Order No.        | $d_1$ | $d_2$ | $l_1$ | Material |
|------------------|-------|-------|-------|----------|
| P0322.060-020-R2 | M 6   | 10    | 20    | A2 s/s   |
| P0322.060-025-R2 | M 6   | 10    | 25    | A2 s/s   |
| P0322.060-030-R2 | M 6   | 10    | 30    | A2 s/s   |
| P0322.080-020-R2 | M 8   | 11    | 20    | A2 s/s   |
| P0322.080-025-R2 | M 8   | 11    | 25    | A2 s/s   |
| P0322.080-030-R2 | M 8   | 11    | 30    | A2 s/s   |
| P0322.080-035-R2 | M 8   | 11    | 35    | A2 s/s   |
| P0322.080-040-R2 | M 8   | 11    | 40    | A2 s/s   |
| P0322.080-050-R2 | M 8   | 11    | 50    | A2 s/s   |
| P0322.100-025-R2 | M10   | 13    | 25    | A2 s/s   |
| P0322.100-030-R2 | M10   | 13    | 30    | A2 s/s   |
| P0322.100-035-R2 | M10   | 13    | 35    | A2 s/s   |
| P0322.100-040-R2 | M10   | 13    | 40    | A2 s/s   |
| P0322.100-050-R2 | M10   | 13    | 50    | A2 s/s   |
| P0322.120-030-R2 | M12   | 15    | 30    | A2 s/s   |
| P0322.120-035-R2 | M12   | 15    | 35    | A2 s/s   |
| P0322.120-040-R2 | M12   | 15    | 40    | A2 s/s   |
| P0322.120-050-R2 | M12   | 15    | 50    | A2 s/s   |
| P0322.160-040-R2 | M16   | 22    | 40    | A2 s/s   |
| P0322.160-050-R2 | M16   | 22    | 50    | A2 s/s   |
| P0322.200-050-R2 | M20   | 28    | 5     | A2 s/s   |
| P0322.060-020-R4 | M 6   | 10    | 20    | A4 s/s   |
| P0322.060-025-R4 | M 6   | 10    | 25    | A4 s/s   |
| P0322.060-030-R4 | M 6   | 10    | 30    | A4 s/s   |
| P0322.080-020-R4 | M 8   | 11    | 20    | A4 s/s   |
| P0322.080-025-R4 | M 8   | 11    | 25    | A4 s/s   |
| P0322.080-030-R4 | M 8   | 11    | 30    | A4 s/s   |
| P0322.080-035-R4 | M 8   | 11    | 35    | A4 s/s   |
| P0322.080-040-R4 | M 8   | 11    | 40    | A4 s/s   |
| P0322.080-050-R4 | M 8   | 11    | 50    | A4 s/s   |
| P0322.100-025-R4 | M10   | 13    | 25    | A4 s/s   |
| P0322.100-030-R4 | M10   | 13    | 30    | A4 s/s   |
| P0322.100-035-R4 | M10   | 13    | 35    | A4 s/s   |
| P0322.100-040-R4 | M10   | 13    | 40    | A4 s/s   |
| P0322.100-050-R4 | M10   | 13    | 50    | A4 s/s   |

Nuts



## Round Coupler Nuts

A2 & A4 stainless



| Order No.        | d <sub>1</sub> | d <sub>2</sub> | l <sub>1</sub> | Material |
|------------------|----------------|----------------|----------------|----------|
| P0322.120-030-R4 | M12            | 15             | 30             | A4 s/s   |
| P0322.120-035-R4 | M12            | 15             | 35             | A4 s/s   |
| P0322.120-040-R4 | M12            | 15             | 40             | A4 s/s   |
| P0322.120-050-R4 | M12            | 15             | 50             | A4 s/s   |
| P0322.160-040-R4 | M16            | 22             | 40             | A4 s/s   |
| P0322.160-050-R4 | M16            | 22             | 50             | A4 s/s   |
| P0322.200-050-R4 | M20            | 28             | 50             | A4 s/s   |

NUTS