

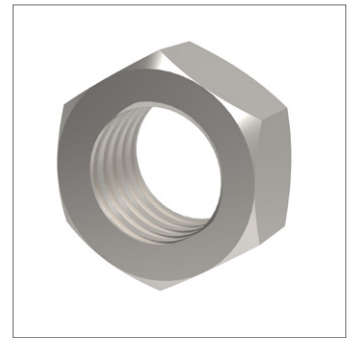
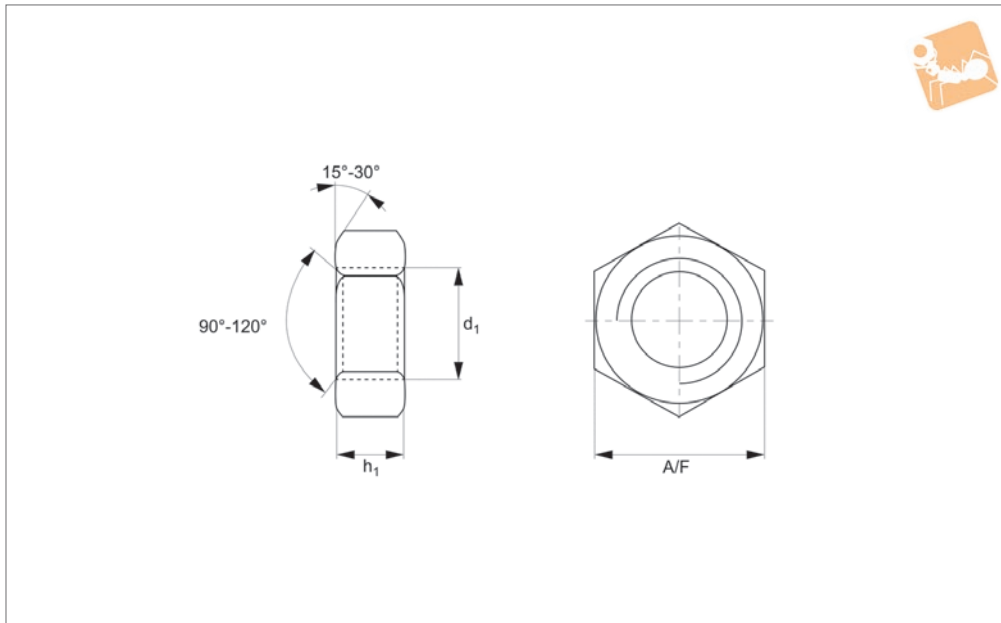


Full Nuts Left Hand Thread

A2 stainless



Nuts



P0303.A2

NUTS

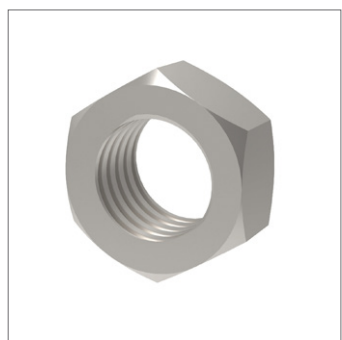
Material

Stainless steel (A2)

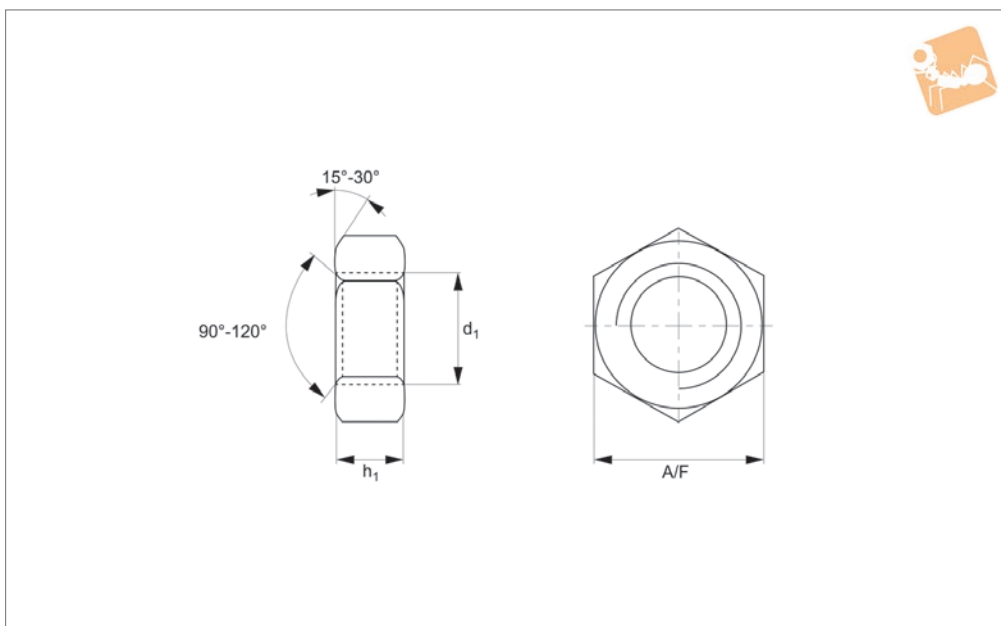
Technical Notes

To DIN 934. These are the left hand thread versions.

Order No.	d ₁	h ₁ min.	A/F	Material
P0303.030-A2	M 3	2.15	5.5	A2 s/s
P0303.040-A2	M 4	2.9	7	A2 s/s
P0303.050-A2	M 5	3.7	8	A2 s/s
P0303.060-A2	M 6	4.7	10	A2 s/s
P0303.080-A2	M 8	6.14	13	A2 s/s
P0303.100-100-A2	M10x1,0	7.64	17	A2 s/s
P0303.100-125-A2	M10x1,25	7.64	17	A2 s/s
P0303.100-A2	M10	7.64	17	A2 s/s
P0303.120-A2	M12	9.64	19	A2 s/s
P0303.120-125-A2	M12x1,25	9.64	19	A2 s/s
P0303.120-150-A2	M12x1,5	9.64	19	A2 s/s
P0303.140-A2	M14	10.3	22	A2 s/s
P0303.160-A2	M16	12.3	24	A2 s/s
P0303.160-150-A2	M16x1,5	12.3	24	A2 s/s
P0303.180-A2	M18	14.3	27	A2 s/s
P0303.200-A2	M20	14.9	30	A2 s/s
P0303.200-150-A2	M20x1,5	14.9	30	A2 s/s
P0303.220-A2	M22	16.9	32	A2 s/s
P0303.220-150-A2	M22x1,5	16.9	32	A2 s/s
P0303.240-A2	M24	17.7	36	A2 s/s
P0303.270-A2	M27	20.7	41	A2 s/s
P0303.270-200-A2	M27x2,0	20.7	41	A2 s/s
P0303.300-A2	M30	22.7	46	A2 s/s
P0303.300-200-A2	M30x2,0	22.7	46	A2 s/s



P0303.A4



Material

Stainless steel (A4).

Technical Notes

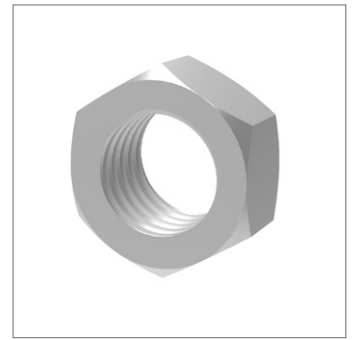
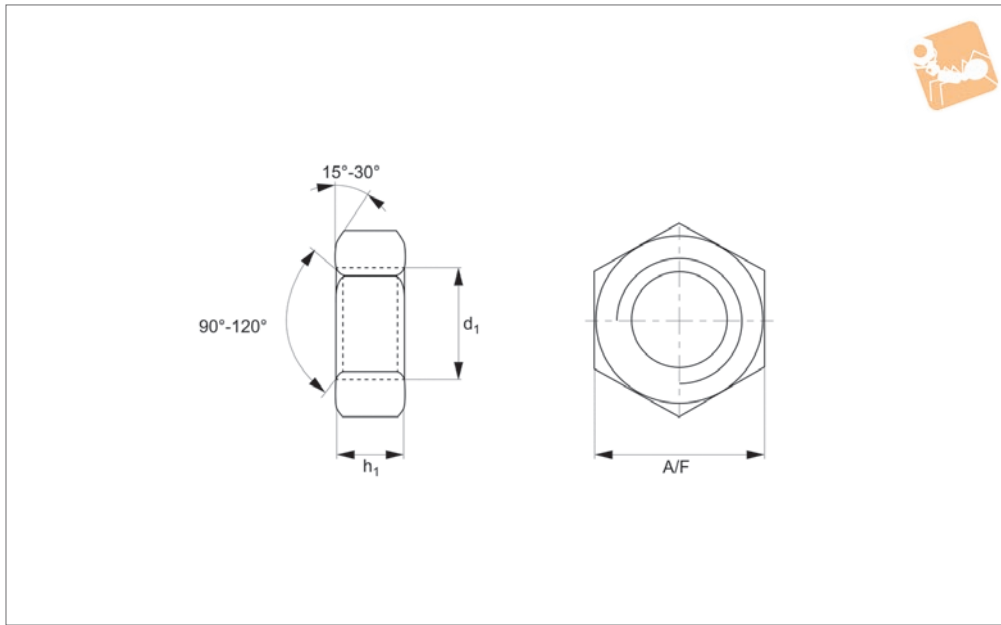
To DIN 934. These are the left hand thread versions.

Order No.	d_1	h_1 min.	A/F	Material
P0303.030-A4	M 3	2.15	5.5	A4 s/s
P0303.040-A4	M 4	2.9	7	A4 s/s
P0303.050-A4	M 5	3.7	8	A4 s/s
P0303.060-A4	M 6	4.7	10	A4 s/s
P0303.080-A4	M 8	6.14	13	A4 s/s
P0303.100-A4	M10	7.64	17	A4 s/s
P0303.120-A4	M12	9.64	19	A4 s/s
P0303.140-A4	M14	10.3	22	A4 s/s
P0303.160-A4	M16	12.3	24	A4 s/s
P0303.180-A4	M18	14.3	27	A4 s/s
P0303.200-A4	M20	14.9	30	A4 s/s
P0303.220-A4	M22	16.9	32	A4 s/s
P0303.240-A4	M24	17.7	36	A4 s/s
P0303.270-A4	M27	20.7	41	A4 s/s
P0303.300-A4	M30	22.7	46	A4 s/s



Full Nuts Left Hand Thread

Steel, zinc-plated



P0303.ZP

NUTS

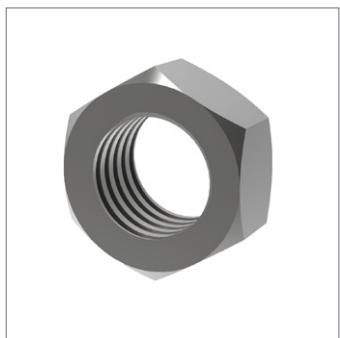
Material

Steel (class 8), zinc plated.

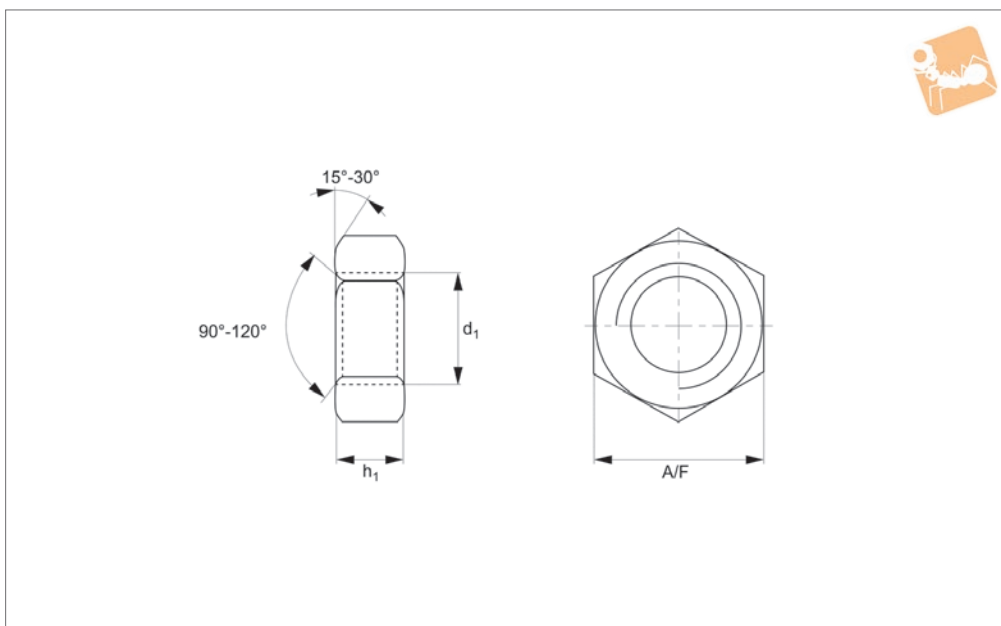
Technical Notes

To DIN 934. These are the left hand thread versions.

Order No.	d_1	h_1 min.	A/F	Material
P0303.050-ZP	M 5	3.7	8	Steel ZP
P0303.060-ZP	M 6	4.7	10	Steel ZP
P0303.080-ZP	M 8	6.14	13	Steel ZP
P0303.100-ZP	M10	7.64	17	Steel ZP
P0303.120-ZP	M12	9.64	19	Steel ZP
P0303.140-ZP	M14	10.3	22	Steel ZP
P0303.160-ZP	M16	12.3	24	Steel ZP
P0303.180-ZP	M18	14.3	27	Steel ZP
P0303.200-ZP	M20	14.9	30	Steel ZP
P0303.220-ZP	M22	16.9	32	Steel ZP
P0303.240-ZP	M24	17.7	36	Steel ZP
P0303.270-ZP	M27	20.7	41	Steel ZP
P0303.300-ZP	M30	22.7	46	Steel ZP



P0303.SC



Material

Steel (class 8), self-colour.

Technical Notes

To DIN 934. These are the left hand thread versions.

Order No.	d_1	h_1 min.	A/F	Material
P0303.060-SC	M 6	4.7	10	Steel SC
P0303.080-SC	M 8	6.14	13	Steel SC
P0303.100-SC	M10	7.64	17	Steel SC
P0303.120-SC	M12	9.64	19	Steel SC
P0303.160-SC	M16	12.3	24	Steel SC
P0303.200-SC	M20	14.9	30	Steel SC
P0303.240-SC	M24	17.7	36	Steel SC