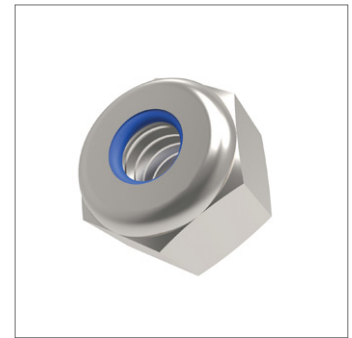
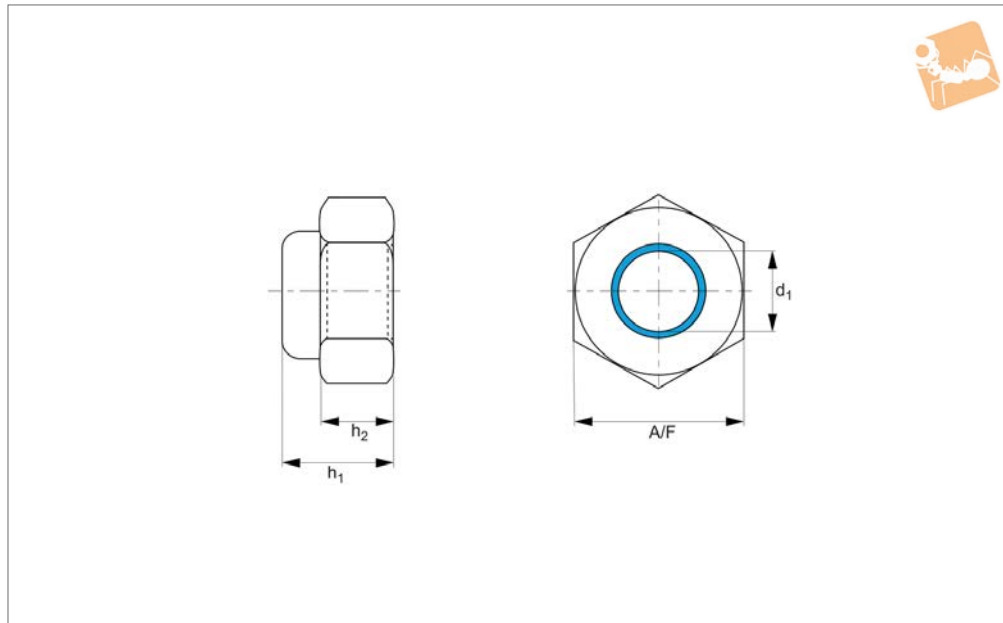




Nylon Insert Nuts

Type T - A2 stainless



P0314.A2

NUTS

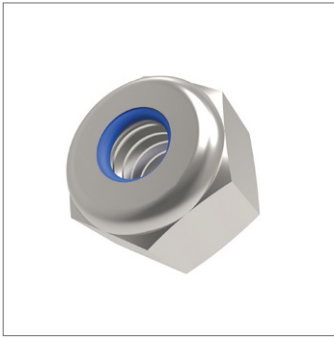
Material

Stainless steel (A2).

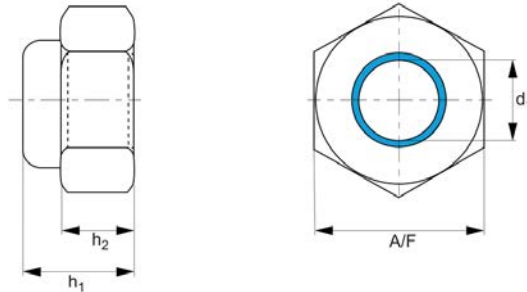
Technical Notes

To DIN 985.

Order No.	d ₁	h ₁	h ₂	A/F	Material
P0314.025-A2	M 2,5	3.8	2.0	5	A2 s/s
P0314.030-A2	M 3	4.0	2.4	5.5	A2 s/s
P0314.040-A2	M 4	5.0	3.2	7	A2 s/s
P0314.050-A2	M 5	5.0	4.0	8	A2 s/s
P0314.060-A2	M 6	6.0	5.0	10	A2 s/s
P0314.080-A2	M 8	8.0	6.5	13	A2 s/s
P0314.080-100-A2	M 8x1,0	8.0	6.5	13	A2 s/s
P0314.100-A2	M10	10	8.0	17	A2 s/s
P0314.100-100-A2	M10x1,0	10	8.0	17	A2 s/s
P0314.120-A2	M12	12	10	19	A2 s/s
P0314.120-150-A2	M12x1,5	12	10	19	A2 s/s
P0314.140-A2	M14	14	11	22	A2 s/s
P0314.160-A2	M16	16	13	24	A2 s/s
P0314.160-150-A2	M16x1,5	16	13	24	A2 s/s
P0314.180-A2	M18	18.5	15	27	A2 s/s
P0314.200-A2	M20	20	16	30	A2 s/s
P0314.200-150-A2	M20x1,5	20	16	30	A2 s/s
P0314.220-A2	M22	22	18	32	A2 s/s
P0314.240-A2	M24	24	19	36	A2 s/s
P0314.240-150-A2	M24x1,5	24	19	36	A2 s/s
P0314.270-A2	M27	27	22	41	A2 s/s
P0314.300-A2	M30	30	24	46	A2 s/s
P0314.330-A2	M33	33	26	50	A2 s/s
P0314.360-A2	M36	36	29	55	A2 s/s



P0314.A4



Material

Stainless steel (A4).

Technical Notes

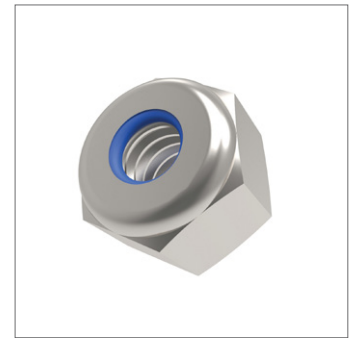
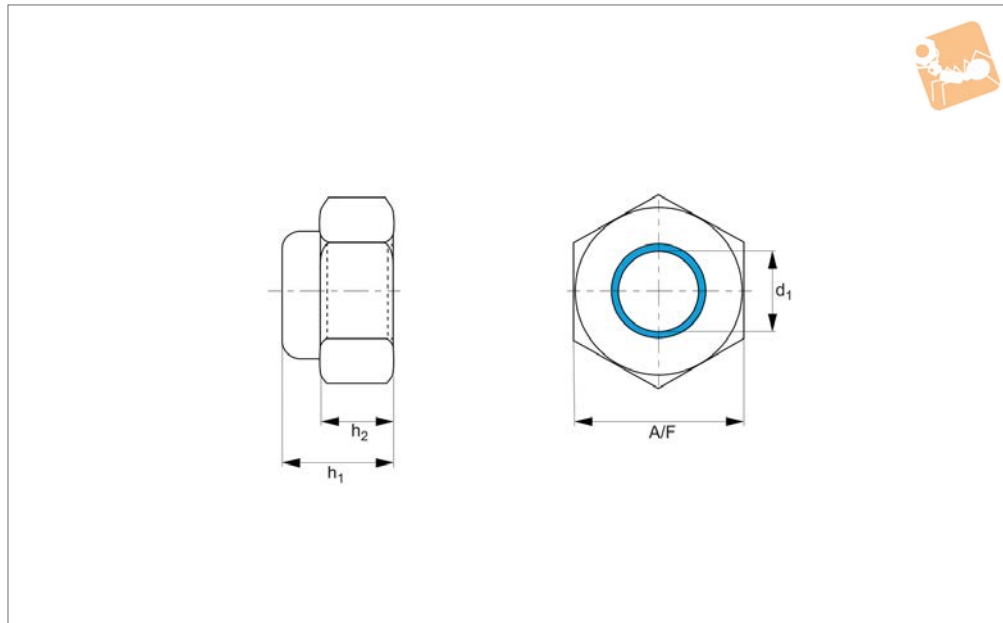
To DIN 985.

Order No.	d_1	h_1	h_2	A/F	Material
P0314.025-A4	M 2,5	3.8	2.0	5	A4 s/s
P0314.030-A4	M 3	4.0	2.4	5.5	A4 s/s
P0314.040-A4	M 4	5.0	3.2	7	A4 s/s
P0314.050-A4	M 5	5.0	4.0	8	A4 s/s
P0314.060-A4	M 6	6.0	5.0	10	A4 s/s
P0314.080-A4	M 8	8.0	6.5	13	A4 s/s
P0314.080-100-A4	M 8x1,0	8.0	6.5	13	A4 s/s
P0314.100-A4	M10	10	8.0	17	A4 s/s
P0314.100-100-A4	M10x1,0	10	8.0	17	A4 s/s
P0314.120-A4	M12	12	10	19	A4 s/s
P0314.120-150-A4	M12x1,5	12	10	19	A4 s/s
P0314.140-A4	M14	14	11	22	A4 s/s
P0314.160-A4	M16	16	13	24	A4 s/s
P0314.160-150-A4	M16x1,5	16	13	24	A4 s/s
P0314.180-A4	M18	18.5	15	27	A4 s/s
P0314.200-A4	M20	20	16	30	A4 s/s
P0314.200-150-A4	M20x1,5	20	16	30	A4 s/s
P0314.220-A4	M22	22	18	32	A4 s/s
P0314.240-A4	M24	24	19	36	A4 s/s
P0314.240-150-A4	M24x1,5	24	19	36	A4 s/s
P0314.270-A4	M27	27	22	41	A4 s/s
P0314.300-A4	M30	30	24	46	A4 s/s
P0314.330-A4	M33	33	26	50	A4 s/s
P0314.360-A4	M36	36	29	55	A4 s/s



Nylon Insert Nuts

Type T - steel, zinc-plated



P0314.ZP

NUTS

Material

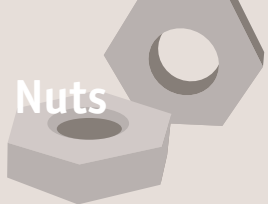
Steel (class>5), zinc-plated.

Technical Notes

To DIN 985.

Order No.	d ₁	h ₁	h ₂	A/F	Material
P0314.025-ZP	M 2,5	3.8	2.0	5	Steel ZP
P0314.030-ZP	M 3	4.0	2.4	5.5	Steel ZP
P0314.040-ZP	M 4	5.0	3.2	7	Steel ZP
P0314.050-ZP	M 5	5.0	4.0	8	Steel ZP
P0314.060-ZP	M 6	6.0	5.0	10	Steel ZP
P0314.080-ZP	M 8	8.0	6.5	13	Steel ZP
P0314.080-100-ZP	M 8x1,0	8.0	6.5	13	Steel ZP
P0314.100-ZP	M10	10	8.0	17	Steel ZP
P0314.100-100-ZP	M10x1,0	10	8.0	17	Steel ZP
P0314.100-125-ZP	M10x1,25	10	8.0	17	Steel ZP
P0314.120-ZP	M12	12	10	19	Steel ZP
P0314.120-125-ZP	M12x1,25	12	10	19	Steel ZP
P0314.120-150-ZP	M12x1,5	12	10	19	Steel ZP
P0314.140-ZP	M14	14	11	22	Steel ZP
P0314.140-150-ZP	M14x1,5	14	11	22	Steel ZP
P0314.160-ZP	M16	16	13	24	Steel ZP
P0314.160-150-ZP	M16x1,5	16	13	24	Steel ZP
P0314.180-ZP	M18	18.5	15	27	Steel ZP
P0314.180-150-ZP	M18x1,5	18.5	15	27	Steel ZP
P0314.200-ZP	M20	20	16	30	Steel ZP
P0314.200-150-ZP	M20x1,5	20	16	30	Steel ZP
P0314.200-200-ZP	M20x2,0	20	16	30	Steel ZP
P0314.220-ZP	M22	22	18	32	Steel ZP
P0314.220-150-ZP	M22x1,5	22	18	32	Steel ZP
P0314.240-ZP	M24	24	19	36	Steel ZP
P0314.240-150-ZP	M24x1,5	24	19	36	Steel ZP
P0314.240-200-ZP	M24x2,0	24	19	36	Steel ZP
P0314.270-ZP	M27	27	22	41	Steel ZP
P0314.270-150-ZP	M27x1,5	27	22	41	Steel ZP
P0314.270-200-ZP	M27x2,0	27	22	41	Steel ZP
P0314.300-ZP	M30	30	24	46	Steel ZP
P0314.300-150-ZP	M30x1,5	30	24	46	Steel ZP
P0314.300-200-ZP	M30x2,0	30	24	46	Steel ZP
P0314.330-ZP	M33	33	26	50	Steel ZP
P0314.330-150-ZP	M33x1,5	33	26	50	Steel ZP

Nuts



Nylon Insert Nuts

Type T - steel, zinc-plated



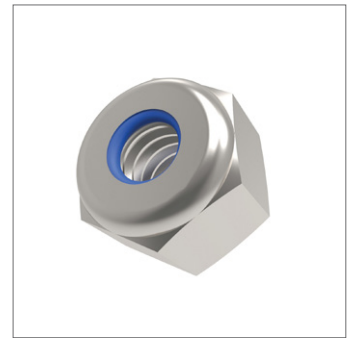
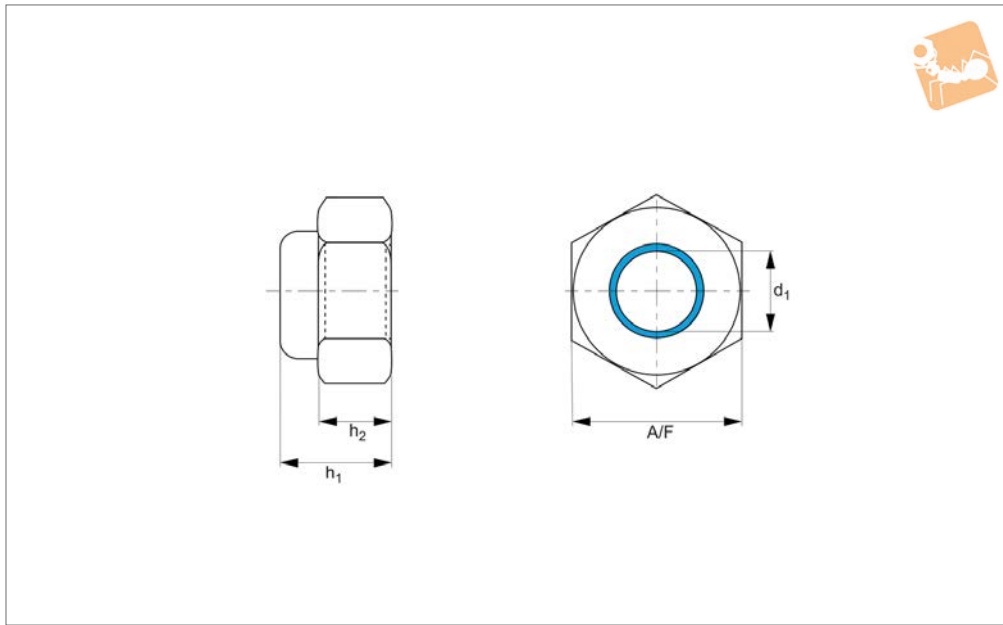
Order No.	d ₁	h ₁	h ₂	A/F	Material
P0314.330-200-ZP	M33x2,0	33	26	50	Steel ZP
P0314.360-ZP	M36	36	29	55	Steel ZP
P0314.360-150-ZP	M36x1,5	36	29	55	Steel ZP
P0314.360-300-ZP	M36x3,0	36	29	55	Steel ZP
P0314.420-ZP	M42	42	34	65	Steel ZP
P0314.420-300-ZP	M42x3,0	42	34	65	Steel ZP
P0314.480-ZP	M48	48	38	75	Steel ZP

NUTS



Nylon Insert Nuts - High Type

High type - A2 stainless



P0315.A2

NUTS

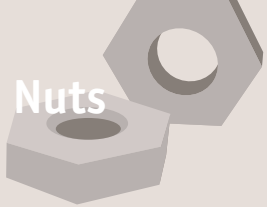
Material

Stainless steel (A2).

Technical Notes

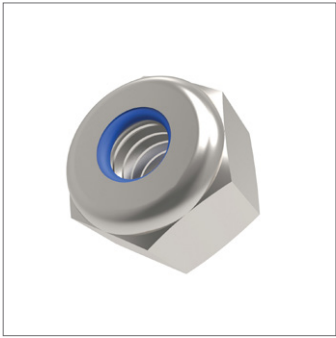
To DIN 982.

Order No.	d ₁	h ₁	h ₂	A/F	Material
P0315.040-A2	M 4	6.0	3.6	7	A2 s/s
P0315.050-A2	M 5	6.3	4.4	8	A2 s/s
P0315.060-A2	M 6	8.0	4.9	10	A2 s/s
P0315.080-A2	M 8	9.5	6.4	13	A2 s/s
P0315.100-A2	M10	11.5	8.0	17	A2 s/s
P0315.120-A2	M12	19	14	19	A2 s/s
P0315.140-A2	M14	16	12	22	A2 s/s
P0315.160-A2	M16	18	14	24	A2 s/s
P0315.200-A2	M20	22	17	30	A2 s/s
P0315.240-A2	M24	28	20	36	A2 s/s

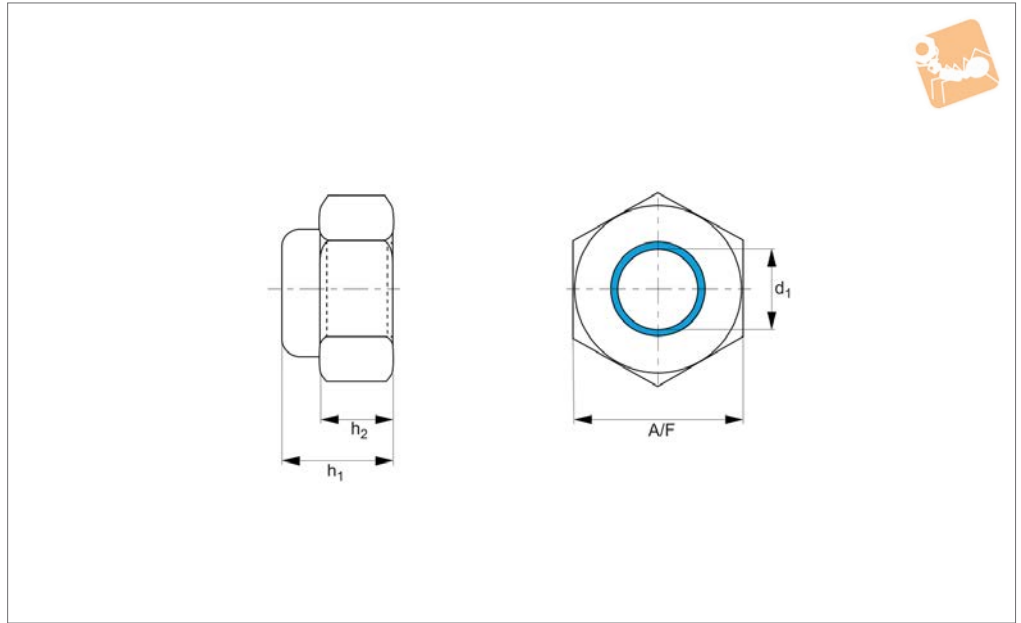


Nylon Insert Nuts - High Type

High Type - A4 stainless



P0315.A4



Material

Stainless steel (A4).

Technical Notes

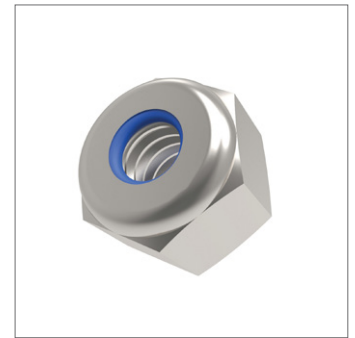
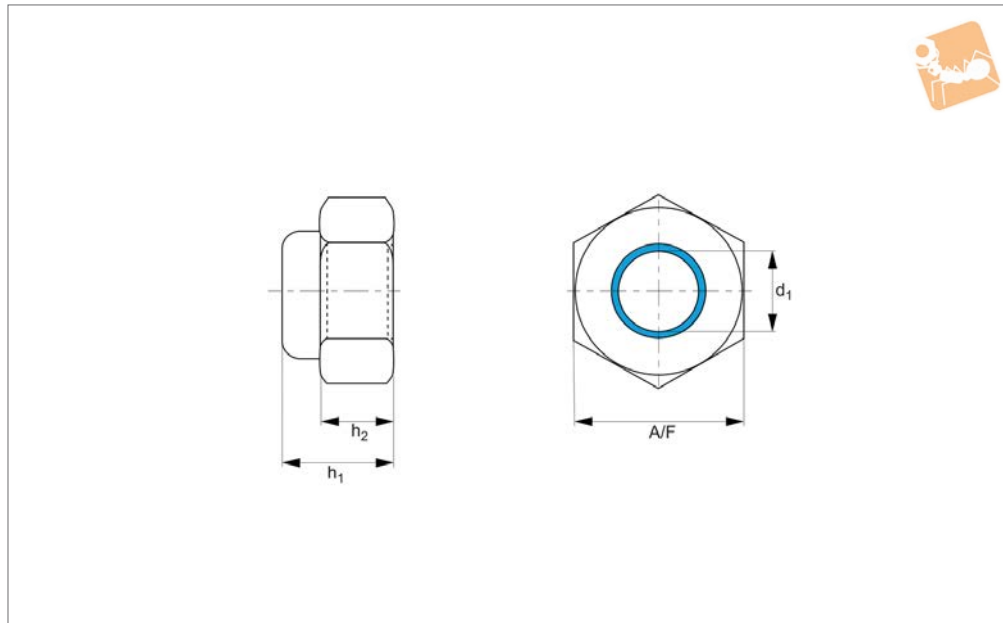
To DIN 982.

Order No.	d_1	h_1	h_2	A/F	Material
P0315.050-A4	M 5	6.3	4.4	8	A4 s/s
P0315.040-A4	M 4	6.0	3.6	7	A4 s/s
P0315.060-A4	M 6	8.0	4.9	10	A4 s/s
P0315.080-A4	M 8	9.5	6.4	13	A4 s/s
P0315.100-A4	M10	11.5	8.0	17	A4 s/s
P0315.120-A4	M12	19	14	19	A4 s/s
P0315.140-A4	M14	16	12	22	A4 s/s
P0315.160-A4	M16	18	14	24	A4 s/s
P0315.200-A4	M20	22	17	30	A4 s/s
P0315.240-A4	M24	28	20	36	A4 s/s



Nylon Insert Nuts - High Type

High type - steel, zinc-plated



P0315.ZP

NUTS

Material

Steel (class 8), zinc-plated.

Technical Notes

To DIN 982.

Order No.	d ₁	h ₁	h ₂	A/F	Material
P0315.050-ZP	M 5	6.3	4.4	8	Steel ZP
P0315.060-ZP	M 6	8.0	4.9	10	Steel ZP
P0315.080-ZP	M 8	9.5	6.4	13	Steel ZP
P0315.100-ZP	M10	11.5	8.0	17	Steel ZP
P0315.120-ZP	M12	19	14	19	Steel ZP
P0315.140-ZP	M14	16	12	22	Steel ZP
P0315.160-ZP	M16	18	14	24	Steel ZP
P0315.200-ZP	M20	22	17	30	Steel ZP
P0315.240-ZP	M24	28	20	36	Steel ZP