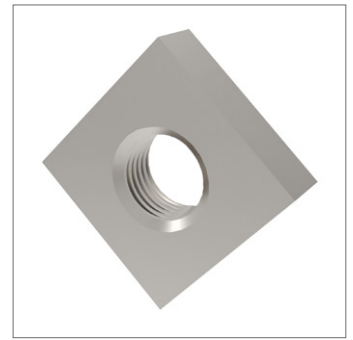
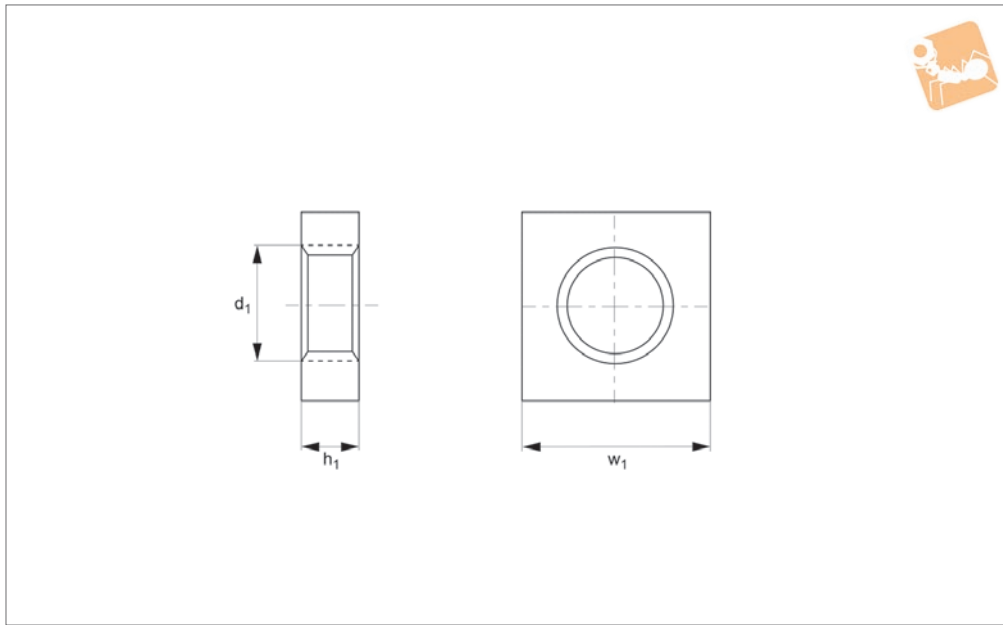




# Square Nuts

A2 stainless



**P0323.A2**

NUTS

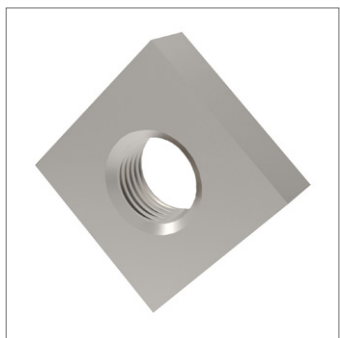
### Material

Stainless steel (A2).

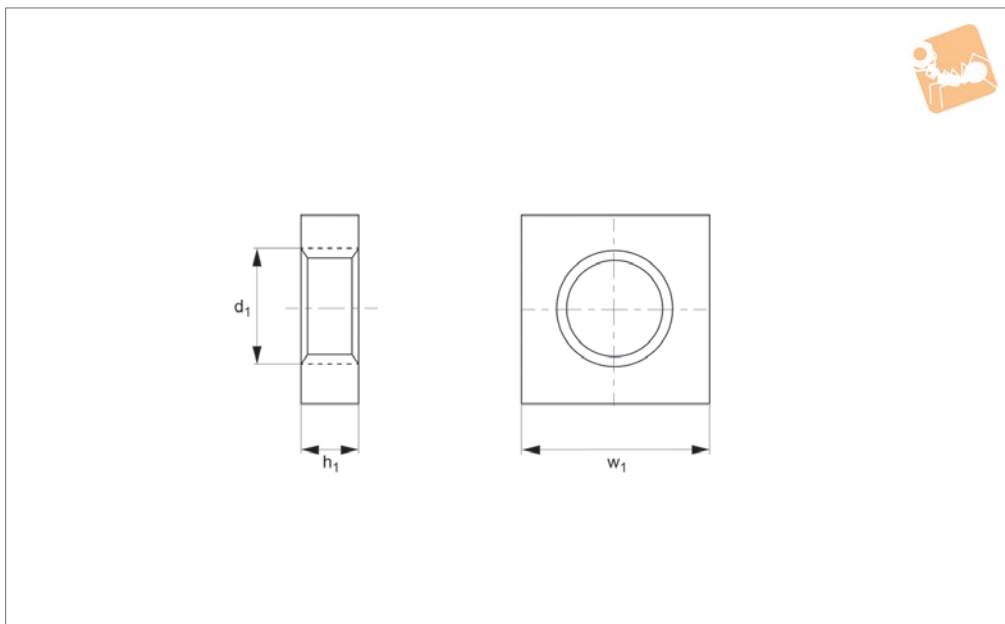
### Technical Notes

To DIN 562. Standard metric coarse threads.

Order No.	d <sub>1</sub>	w <sub>1</sub>	h <sub>1</sub> min.	Material
P0323.020-A2	M 2	4	1.2	A2 s/s
P0323.025-A2	M2,5	5	1.6	A2 s/s
P0323.030-A2	M 3	5.5	1.8	A2 s/s
P0323.040-A2	M 4	7	2.2	A2 s/s
P0323.050-A2	M 5	8	2.7	A2 s/s
P0323.060-A2	M 6	10	3.2	A2 s/s
P0323.080-A2	M 8	13	4.0	A2 s/s
P0323.100-A2	M10	16	5.0	A2 s/s



**P0323.A4**



#### Material

Stainless steel (A4).

#### Technical Notes

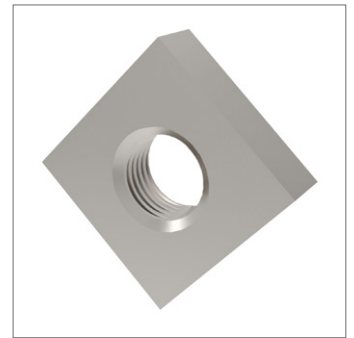
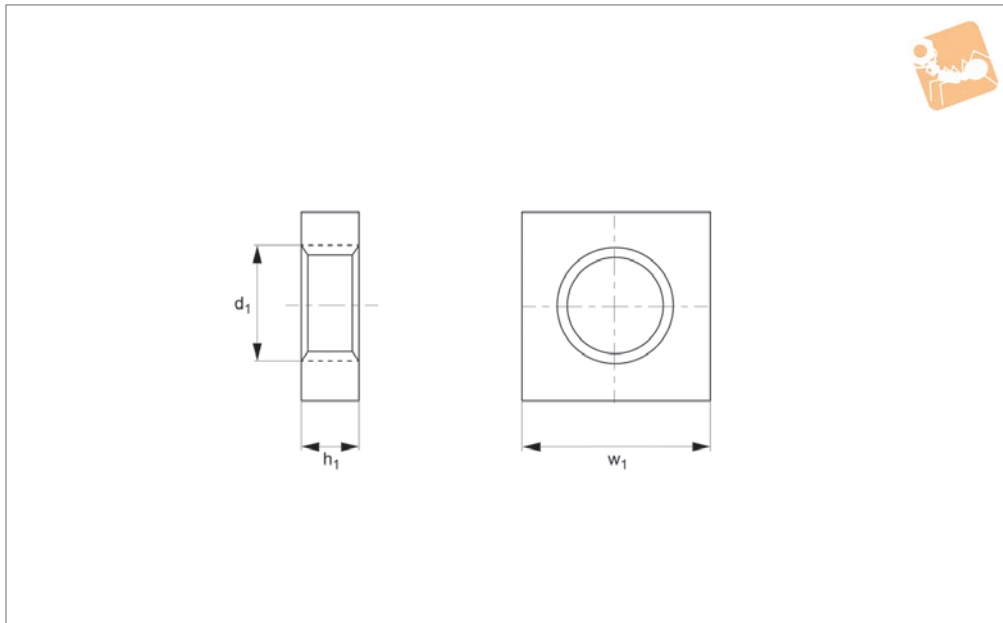
To DIN 562. Standard metric coarse threads.

Order No.	$d_1$	$w_1$	$h_1$ min.	Material
P0323.016-A4	M1,6	3,2	1.0	A4 s/s
P0323.020-A4	M 2	4	1.2	A4 s/s
P0323.025-A4	M2,5	5	1.6	A4 s/s
P0323.030-A4	M 3	5,5	1.8	A4 s/s
P0323.040-A4	M 4	7	2.2	A4 s/s
P0323.050-A4	M 5	8	2.7	A4 s/s
P0323.060-A4	M 6	10	3.2	A4 s/s
P0323.080-A4	M 8	13	4.0	A4 s/s
P0323.100-A4	M10	16	5.0	A4 s/s



# Square Nuts

Steel, zinc-plated



**P0323.ZP**

NUTS

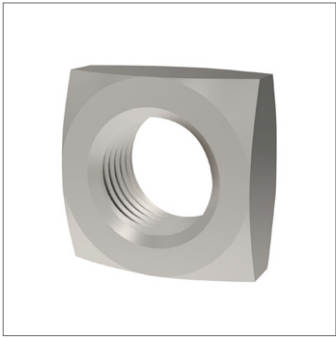
### Material

Steel (class 4), zinc-plated.

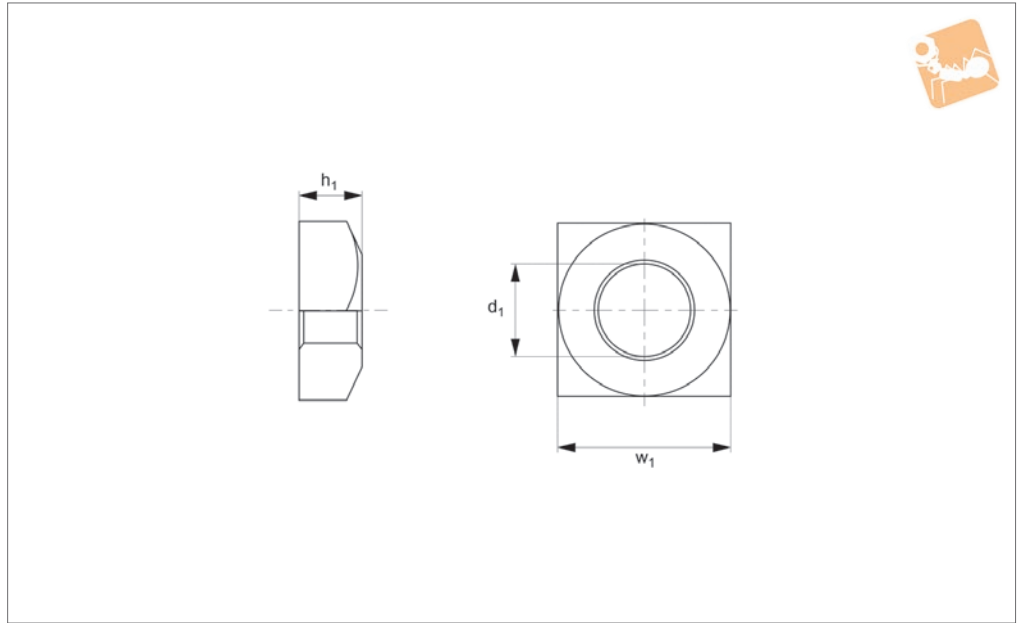
### Technical Notes

To DIN 562. Standard metric coarse threads.

Order No.	d <sub>1</sub>	w <sub>1</sub>	h <sub>1</sub> min.	Material
P0323.030-ZP	M 3	5.5	1.8	Steel ZP
P0323.040-ZP	M 4	7	2.2	Steel ZP
P0323.050-ZP	M 5	8	2.7	Steel ZP
P0323.060-ZP	M 6	10	3.2	Steel ZP
P0323.080-ZP	M 8	13	4.0	Steel ZP
P0323.100-ZP	M10	16	5.0	Steel ZP



**P0324.A2**



#### Material

Stainless steel (A2).

#### Technical Notes

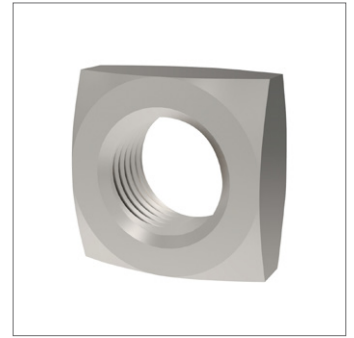
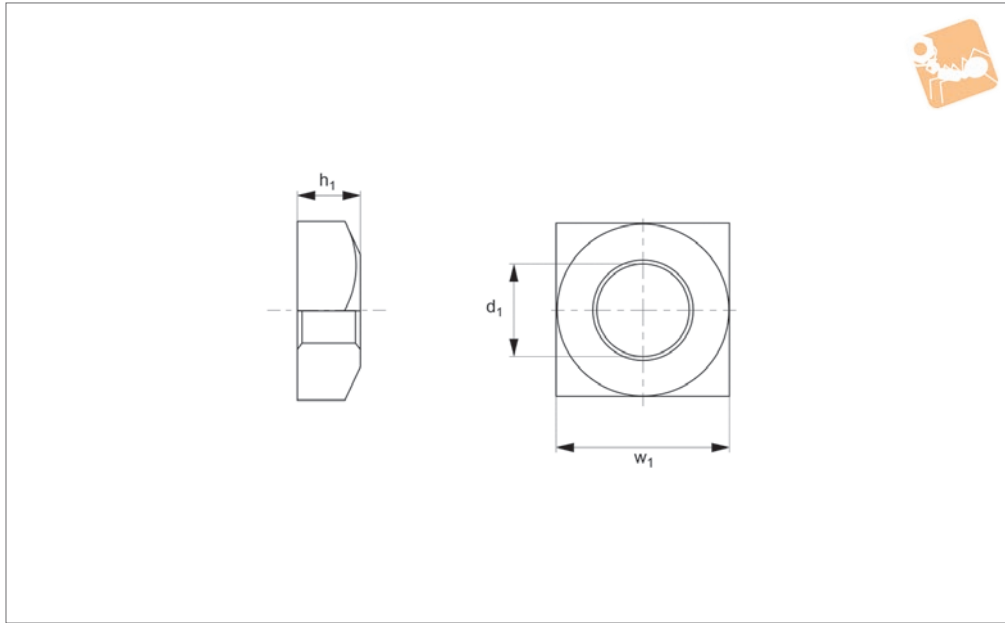
To DIN 557. Standard metric coarse threads.

Order No.	$d_1$	$w_1$	$h_1$	Material
P0324.050-A2	M 5	8	4.0	A2 s/s
P0324.060-A2	M 6	10	5.0	A2 s/s
P0324.080-A2	M 8	13	6.0	A2 s/s
P0324.100-A2	M10	17	8.0	A2 s/s
P0324.120-A2	M12	19	10	A2 s/s
P0324.160-A2	M16	24	13	A2 s/s



# Chamfered Square Nuts

Chamfered - A4 stainless



**P0324.A4**

NUTS

### Material

Stainless steel (A4).

### Technical Notes

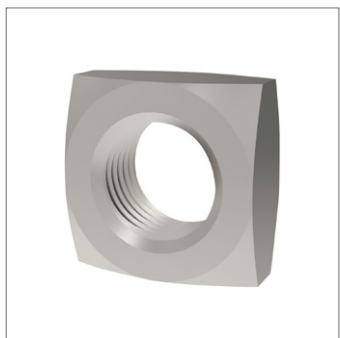
To DIN 557. Standard metric coarse threads.

Order No.	$d_1$	$w_1$	$h_1$	Material
P0324.050-A4	M 5	8	4.0	A4 s/s
P0324.060-A4	M 6	10	5.0	A4 s/s
P0324.080-A4	M 8	13	6.0	A4 s/s
P0324.100-A4	M10	17	8.0	A4 s/s
P0324.120-A4	M12	19	10	A4 s/s
P0324.160-A4	M16	24	13	A4 s/s

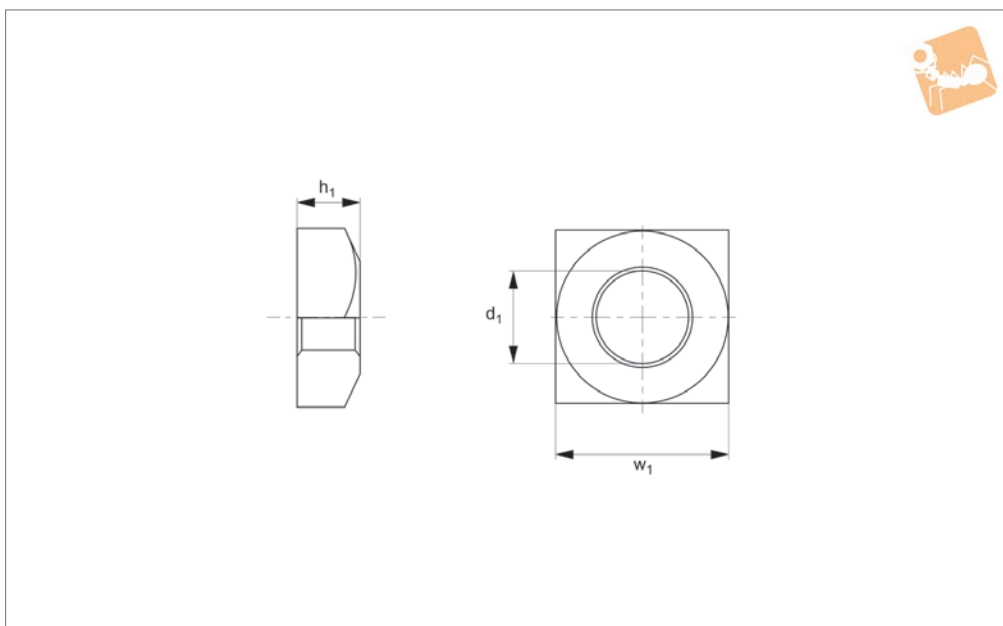


# Chamfered Square Nuts

Chamfered - steel, self-colour



## P0324.SC



### Material

Steel (class 5 or over), self-colour

### Technical Notes

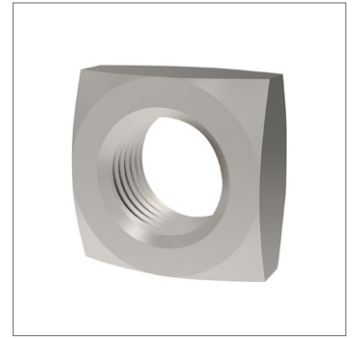
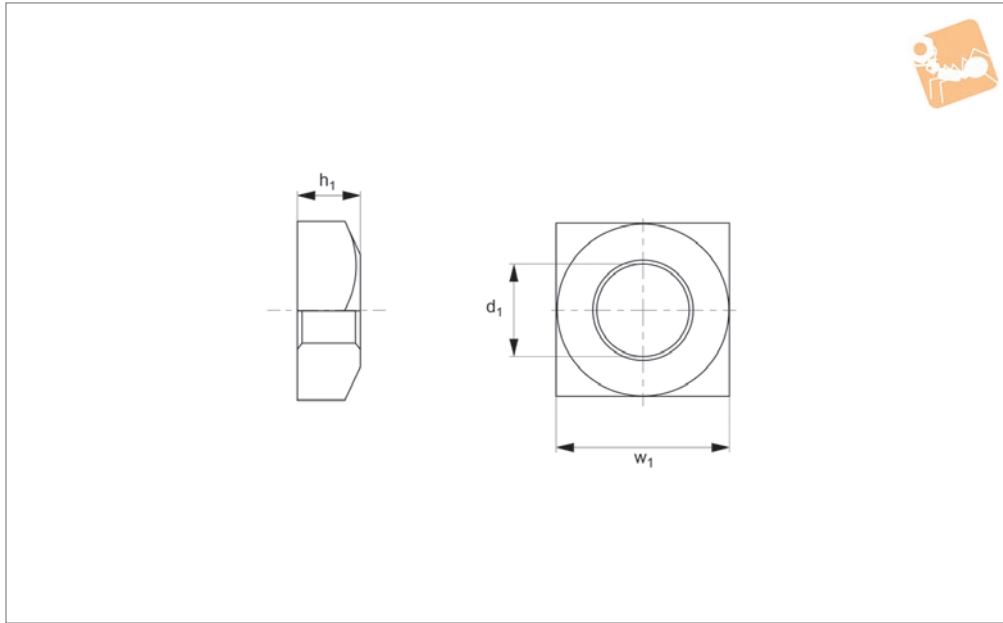
To DIN 557. Standard metric coarse threads.

Order No.	$d_1$	$w_1$	$h_1$	Material
P0324.040-SC	M 4	7	3.2	Steel SC
P0324.050-SC	M 5	8	4.0	Steel SC
P0324.060-SC	M 6	10	5.0	Steel SC
P0324.080-SC	M 8	13	6.0	Steel SC
P0324.100-SC	M10	17	8.0	Steel SC
P0324.120-SC	M12	19	10	Steel SC



# Chamfered Square Nuts

Chamfered - steel, zinc-plated



**P0324.ZP**

NUTS

**Material**

Steel (class 5 or over), zinc-plated.

**Technical Notes**

To DIN 557. Standard metric coarse threads.

Order No.	d <sub>1</sub>	w <sub>1</sub>	h <sub>1</sub>	Material
P0324.050-ZP	M 5	8	4.0	Steel ZP
P0324.060-ZP	M 6	10	5.0	Steel ZP
P0324.080-ZP	M 8	13	6.0	Steel ZP
P0324.100-ZP	M10	17	8.0	Steel ZP
P0324.120-ZP	M12	19	10	Steel ZP
P0324.040-ZP	M 4	7	3.2	Steel ZP