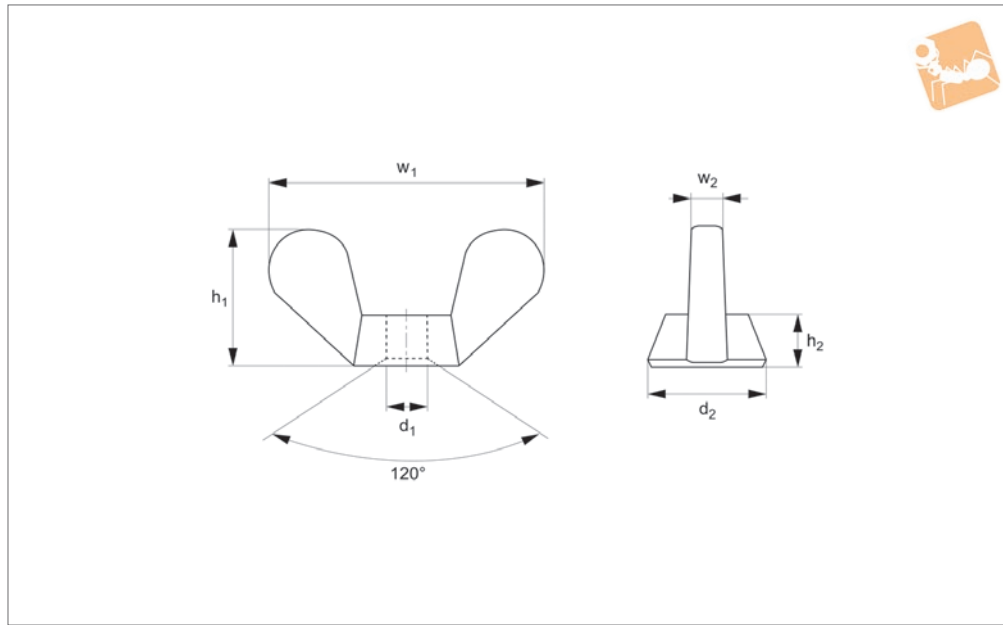




Wing Nuts

Female thread - A2 stainless



P0328.A2

NUTS

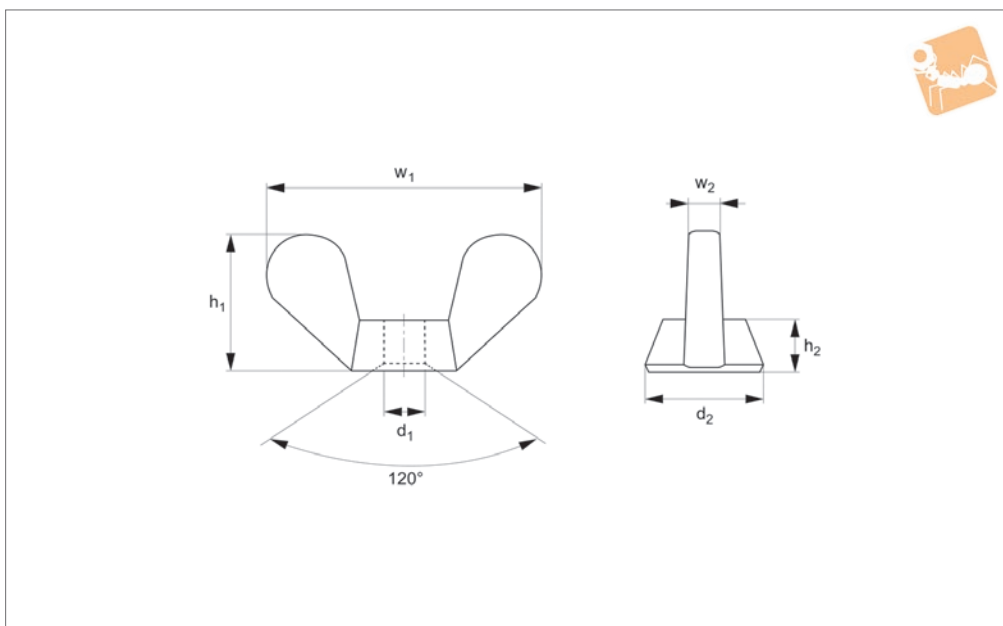
Material
Stainless steel (A2).

Technical Notes
To DIN 315 AF.

Order No.	d_1	w_1	h_1	h_2 max.	Material
P0328.030-A2	M 3	18.5	8.8	3.0	A2 s/s
P0328.040-A2	M 4	18.5	8.8	3.0	A2 s/s
P0328.050-A2	M 5	22.0	10.5	4.0	A2 s/s
P0328.060-A2	M 6	26.8	12.9	4.9	A2 s/s
P0328.080-A2	M 8	30.3	14.8	5.4	A2 s/s
P0328.100-A2	M10	35.3	17.3	6.3	A2 s/s
P0328.120-A2	M12	47.5	22.5	7.9	A2 s/s
P0328.160-A2	M16	65.0	30.8	10.6	A2 s/s
P0328.200-A2	M20	67.0	31.2	12.2	A2 s/s



P0328.A4



Material

Stainless steel (A4).

Technical Notes

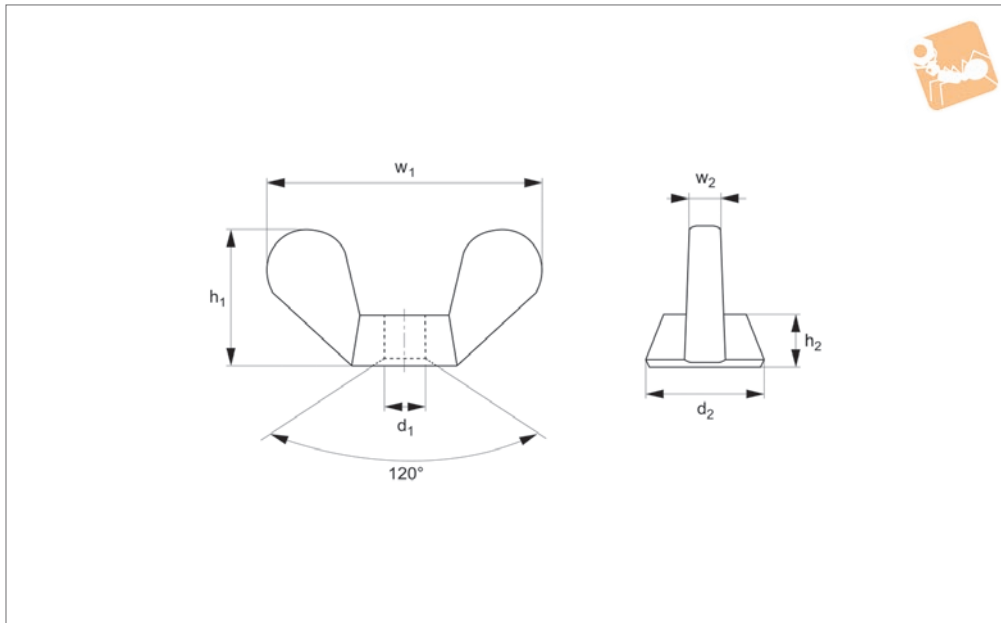
To DIN 315 AF.

Order No.	d_1	w_1	h_1	h_2 max.	Material
P0328.030-A4	M 3	18.5	8.8	3.0	A4 s/s
P0328.040-A4	M 4	18.5	8.8	3.0	A4 s/s
P0328.050-A4	M 5	22.0	10.5	4.0	A4 s/s
P0328.060-A4	M 6	26.8	12.9	4.9	A4 s/s
P0328.080-A4	M 8	30.3	14.8	5.4	A4 s/s
P0328.100-A4	M10	35.3	17.3	6.3	A4 s/s
P0328.120-A4	M12	47.5	22.5	7.9	A4 s/s
P0328.160-A4	M16	65.0	30.8	10.6	A4 s/s
P0328.200-A4	M20	67.0	31.2	12.2	A4 s/s



Wing Nuts

Female thread - brass



P0328.BR

NUTS

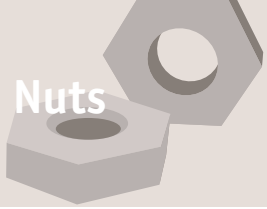
Material

Brass.

Technical Notes

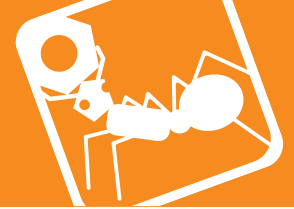
To DIN 315 AF.

Order No.	d ₁	w ₁	h ₁	h ₂ max.	Material
P0328.030-BR	M 3	18.5	8.8	3.0	Brass
P0328.040-BR	M 4	18.5	8.8	3.0	Brass
P0328.050-BR	M 5	22.0	10.5	4.0	Brass
P0328.060-BR	M 6	26.8	12.9	4.9	Brass
P0328.080-BR	M 8	30.3	14.8	5.4	Brass
P0328.100-BR	M10	35.3	17.3	6.3	Brass
P0328.120-BR	M12	47.5	22.5	7.9	Brass
P0328.160-BR	M16	65.0	30.8	10.6	Brass
P0328.200-BR	M20	67.0	31.2	12.2	Brass

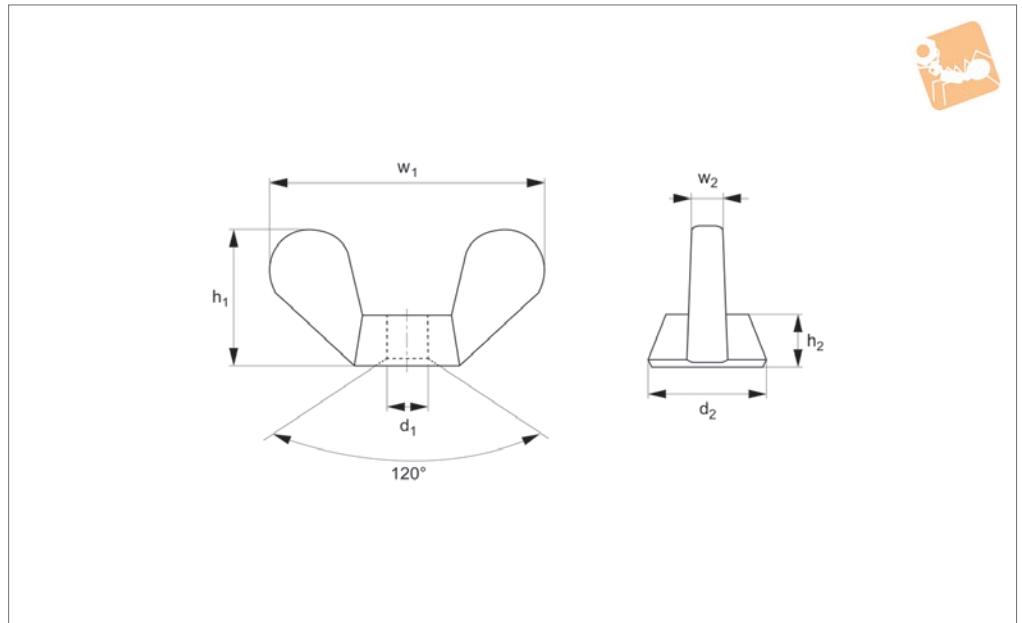


Wing Nuts

Female thread - steel, zinc-plated



P0328.ZP



Material

Steel, zinc-plated.

Technical Notes

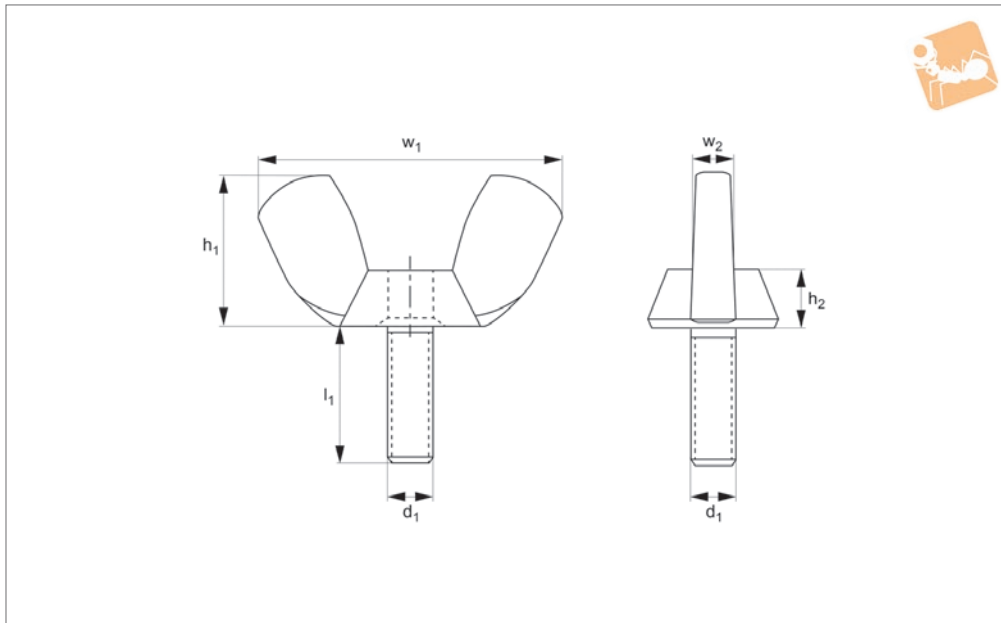
To DIN 315 AF.

Order No.	d_1	w_1	h_1	h_2 max.	Material
P0328.030-ZP	M 3	18.5	8.8	3.0	Steel ZP
P0328.040-ZP	M 4	18.5	8.8	3.0	Steel ZP
P0328.050-ZP	M 5	22.0	10.5	4.0	Steel ZP
P0328.060-ZP	M 6	26.8	12.9	4.9	Steel ZP
P0328.080-ZP	M 8	30.3	14.8	5.4	Steel ZP
P0328.100-ZP	M10	35.3	17.3	6.3	Steel ZP
P0328.120-ZP	M12	47.5	22.5	7.9	Steel ZP
P0328.160-ZP	M16	65.0	30.8	10.6	Steel ZP
P0328.200-ZP	M20	67.0	31.2	12.2	Steel ZP



Wing Screws

Male thread - A2 stainless



P0329.A2

NUTS

Material

Stainless steel (A2, AISI 303).

Tips

Other sizes available on request.

Technical Notes

To DIN 316 AF.

Order No.	d ₁	w ₁	w ₂	h ₁	h ₂	l ₁	Material
P0329.030-010-A2	M 3	17.6	1.2	8.6	2.4	10	A2 s/s
P0329.030-012-A2	M 3	17.6	1.2	8.6	2.4	12	A2 s/s
P0329.030-016-A2	M 3	17.6	1.2	8.6	2.4	16	A2 s/s
P0329.030-020-A2	M 3	17.6	1.2	8.6	2.4	20	A2 s/s
P0329.030-025-A2	M 3	17.6	1.2	8.6	2.4	25	A2 s/s
P0329.030-030-A2	M 3	17.6	1.2	8.6	2.4	30	A2 s/s
P0329.040-010-A2	M 4	18.0	1.6	8.5	3.2	10	A2 s/s
P0329.040-012-A2	M 4	18.0	1.6	8.5	3.2	12	A2 s/s
P0329.040-016-A2	M 4	18.0	1.6	8.5	3.2	16	A2 s/s
P0329.040-020-A2	M 4	18.0	1.6	8.5	3.2	20	A2 s/s
P0329.040-025-A2	M 4	18.0	1.6	8.5	3.2	25	A2 s/s
P0329.040-030-A2	M 4	18.0	1.6	8.5	3.2	30	A2 s/s
P0329.040-035-A2	M 4	18.0	1.6	8.5	3.2	35	A2 s/s
P0329.040-040-A2	M 4	18.0	1.6	8.5	3.2	40	A2 s/s
P0329.050-010-A2	M 5	24.0	2.1	11.0	4.0	10	A2 s/s
P0329.050-012-A2	M 5	24.0	2.1	11.0	4.0	12	A2 s/s
P0329.050-016-A2	M 5	24.0	2.1	11.0	4.0	16	A2 s/s
P0329.050-020-A2	M 5	24.0	2.1	11.0	4.0	20	A2 s/s
P0329.050-025-A2	M 5	24.0	2.1	11.0	4.0	25	A2 s/s
P0329.050-030-A2	M 5	24.0	2.1	11.0	4.0	30	A2 s/s
P0329.050-035-A2	M 5	24.0	2.1	11.0	4.0	35	A2 s/s
P0329.050-040-A2	M 5	24.0	2.1	11.0	4.0	40	A2 s/s
P0329.050-045-A2	M 5	24.0	2.1	11.0	4.0	45	A2 s/s
P0329.050-050-A2	M 5	24.0	2.1	11.0	4.0	50	A2 s/s
P0329.060-010-A2	M 6	30.0	2.5	15.0	5.0	10	A2 s/s
P0329.060-012-A2	M 6	30.0	2.5	15.0	5.0	12	A2 s/s
P0329.060-016-A2	M 6	30.0	2.5	15.0	5.0	16	A2 s/s
P0329.060-020-A2	M 6	30.0	2.5	15.0	5.0	20	A2 s/s
P0329.060-025-A2	M 6	30.0	2.5	15.0	5.0	25	A2 s/s
P0329.060-030-A2	M 6	30.0	2.5	15.0	5.0	30	A2 s/s
P0329.060-035-A2	M 6	30.0	2.5	15.0	5.0	35	A2 s/s
P0329.060-040-A2	M 6	30.0	2.5	15.0	5.0	40	A2 s/s
P0329.060-045-A2	M 6	30.0	2.5	15.0	5.0	45	A2 s/s
P0329.060-050-A2	M 6	30.0	2.5	15.0	5.0	50	A2 s/s

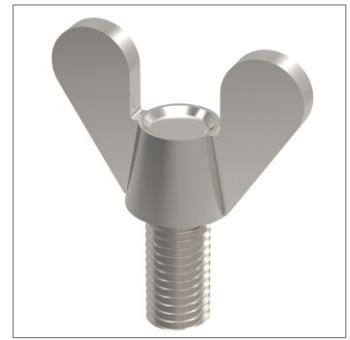
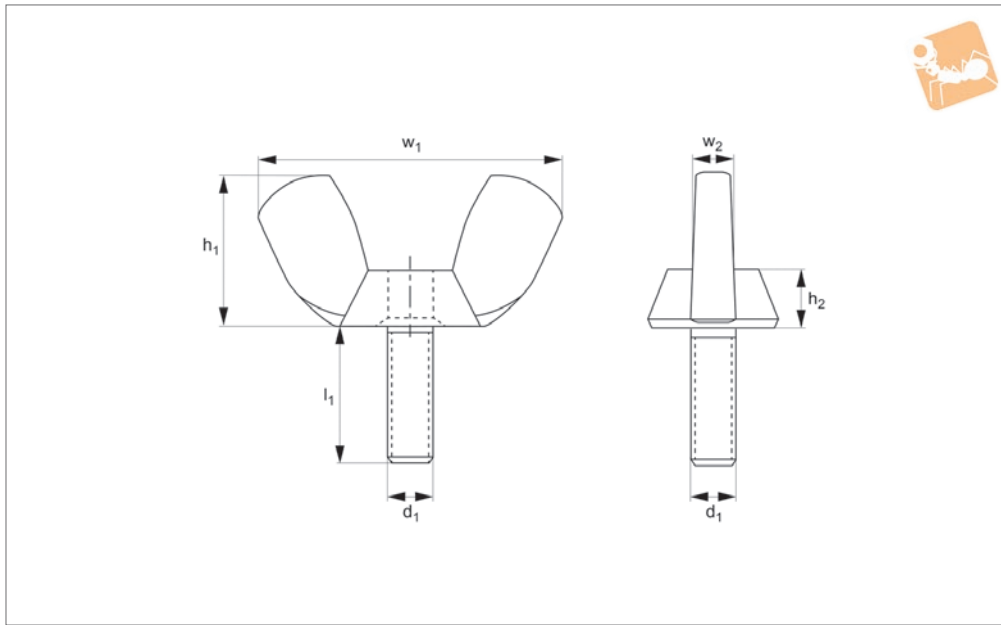


Order No.	d ₁	w ₁	w ₂	h ₁	h ₂	l ₁	Material
P0329.080-010-A2	M 8	36.0	2.8	18.0	6.5	10	A2 s/s
P0329.080-012-A2	M 8	36.0	2.8	18.0	6.5	12	A2 s/s
P0329.080-016-A2	M 8	36.0	2.8	18.0	6.5	16	A2 s/s
P0329.080-020-A2	M 8	36.0	2.8	18.0	6.5	20	A2 s/s
P0329.080-025-A2	M 8	36.0	2.8	18.0	6.5	25	A2 s/s
P0329.080-030-A2	M 8	36.0	2.8	18.0	6.5	30	A2 s/s
P0329.080-035-A2	M 8	36.0	2.8	18.0	6.5	35	A2 s/s
P0329.080-040-A2	M 8	36.0	2.8	18.0	6.5	40	A2 s/s
P0329.080-045-A2	M 8	36.0	2.8	18.0	6.5	45	A2 s/s
P0329.080-050-A2	M 8	36.0	2.8	18.0	6.5	50	A2 s/s
P0329.080-055-A2	M 8	36.0	2.8	18.0	6.5	55	A2 s/s
P0329.080-060-A2	M 8	36.0	2.8	18.0	6.5	60	A2 s/s
P0329.100-016-A2	M10	48.0	3.3	23.0	8.0	16	A2 s/s
P0329.100-020-A2	M10	48.0	3.3	23.0	8.0	20	A2 s/s
P0329.100-025-A2	M10	48.0	3.3	23.0	8.0	25	A2 s/s
P0329.100-030-A2	M10	48.0	3.3	23.0	8.0	30	A2 s/s
P0329.100-035-A2	M10	48.0	3.3	23.0	8.0	35	A2 s/s
P0329.100-040-A2	M10	48.0	3.3	23.0	8.0	40	A2 s/s
P0329.100-045-A2	M10	48.0	3.3	23.0	8.0	45	A2 s/s
P0329.100-050-A2	M10	48.0	3.3	23.0	8.0	50	A2 s/s
P0329.100-055-A2	M10	48.0	3.3	23.0	8.0	55	A2 s/s
P0329.100-060-A2	M10	48.0	3.3	23.0	8.0	60	A2 s/s
P0329.120-020-A2	M12	62.0	4.5	31.0	10.0	20	A2 s/s
P0329.120-025-A2	M12	62.0	4.5	31.0	10.0	25	A2 s/s
P0329.120-030-A2	M12	62.0	4.5	31.0	10.0	30	A2 s/s



Wing Screws

Male thread - A4 stainless



P0329.A4

NUTS

Material

Stainless steel (A4, AISI 316).

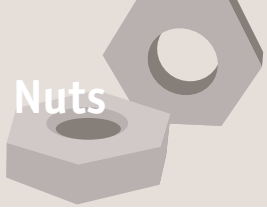
Tips

Other sizes available on request.

Technical Notes

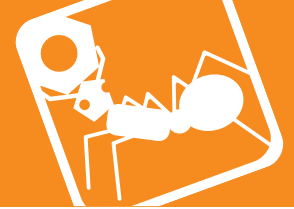
To DIN 316 AF.

Order No.	d ₁	w ₁	w ₂	h ₁	h ₂	l ₁	Material
P0329.030-010-A4	M 3	17.6	1.2	8.6	2.4	10	A4 s/s
P0329.030-012-A4	M 3	17.6	1.2	8.6	2.4	12	A4 s/s
P0329.030-016-A4	M 3	17.6	1.2	8.6	2.4	16	A4 s/s
P0329.030-020-A4	M 3	17.6	1.2	8.6	2.4	20	A4 s/s
P0329.030-025-A4	M 3	17.6	1.2	8.6	2.4	25	A4 s/s
P0329.030-030-A4	M 3	17.6	1.2	8.6	2.4	30	A4 s/s
P0329.040-010-A4	M 4	18.0	1.6	8.5	3.2	10	A4 s/s
P0329.040-012-A4	M 4	18.0	1.6	8.5	3.2	12	A4 s/s
P0329.040-016-A4	M 4	18.0	1.6	8.5	3.2	16	A4 s/s
P0329.040-020-A4	M 4	18.0	1.6	8.5	3.2	20	A4 s/s
P0329.040-025-A4	M 4	18.0	1.6	8.5	3.2	25	A4 s/s
P0329.040-030-A4	M 4	18.0	1.6	8.5	3.2	30	A4 s/s
P0329.040-035-A4	M 4	18.0	1.6	8.5	3.2	35	A4 s/s
P0329.040-040-A4	M 4	18.0	1.6	8.5	3.2	40	A4 s/s
P0329.050-010-A4	M 5	24.0	2.1	11.0	4.0	10	A4 s/s
P0329.050-012-A4	M 5	24.0	2.1	11.0	4.0	12	A4 s/s
P0329.050-016-A4	M 5	24.0	2.1	11.0	4.0	16	A4 s/s
P0329.050-020-A4	M 5	24.0	2.1	11.0	4.0	20	A4 s/s
P0329.050-025-A4	M 5	24.0	2.1	11.0	4.0	25	A4 s/s
P0329.050-030-A4	M 5	24.0	2.1	11.0	4.0	30	A4 s/s
P0329.050-035-A4	M 5	24.0	2.1	11.0	4.0	35	A4 s/s
P0329.050-040-A4	M 5	24.0	2.1	11.0	4.0	40	A4 s/s
P0329.050-045-A4	M 5	24.0	2.1	11.0	4.0	45	A4 s/s
P0329.050-050-A4	M 5	24.0	2.1	11.0	4.0	50	A4 s/s
P0329.060-010-A4	M 6	30.0	2.5	15.0	5.0	10	A4 s/s
P0329.060-012-A4	M 6	30.0	2.5	15.0	5.0	12	A4 s/s
P0329.060-016-A4	M 6	30.0	2.5	15.0	5.0	16	A4 s/s
P0329.060-020-A4	M 6	30.0	2.5	15.0	5.0	20	A4 s/s
P0329.060-025-A4	M 6	30.0	2.5	15.0	5.0	25	A4 s/s
P0329.060-030-A4	M 6	30.0	2.5	15.0	5.0	30	A4 s/s
P0329.060-035-A4	M 6	30.0	2.5	15.0	5.0	35	A4 s/s
P0329.060-040-A4	M 6	30.0	2.5	15.0	5.0	40	A4 s/s
P0329.060-045-A4	M 6	30.0	2.5	15.0	5.0	45	A4 s/s
P0329.060-050-A4	M 6	30.0	2.5	15.0	5.0	50	A4 s/s



Wing Screws

Male thread - A4 stainless



Order No.	d ₁	w ₁	w ₂	h ₁	h ₂	l ₁	Material
P0329.080-010-A4	M 8	36.0	2.8	18.0	6.5	10	A4 s/s
P0329.080-012-A4	M 8	36.0	2.8	18.0	6.5	12	A4 s/s
P0329.080-016-A4	M 8	36.0	2.8	18.0	6.5	16	A4 s/s
P0329.080-020-A4	M 8	36.0	2.8	18.0	6.5	20	A4 s/s
P0329.080-025-A4	M 8	36.0	2.8	18.0	6.5	25	A4 s/s
P0329.080-030-A4	M 8	36.0	2.8	18.0	6.5	30	A4 s/s
P0329.080-035-A4	M 8	36.0	2.8	18.0	6.5	35	A4 s/s
P0329.080-040-A4	M 8	36.0	2.8	18.0	6.5	40	A4 s/s
P0329.080-045-A4	M 8	36.0	2.8	18.0	6.5	45	A4 s/s
P0329.080-050-A4	M 8	36.0	2.8	18.0	6.5	50	A4 s/s
P0329.080-055-A4	M 8	36.0	2.8	18.0	6.5	55	A4 s/s
P0329.080-060-A4	M 8	36.0	2.8	18.0	6.5	60	A4 s/s
P0329.100-016-A4	M10	48.0	3.3	23.0	8.0	16	A4 s/s
P0329.100-020-A4	M10	48.0	3.3	23.0	8.0	20	A4 s/s
P0329.100-025-A4	M10	48.0	3.3	23.0	8.0	25	A4 s/s
P0329.100-030-A4	M10	48.0	3.3	23.0	8.0	30	A4 s/s
P0329.100-035-A4	M10	48.0	3.3	23.0	8.0	35	A4 s/s
P0329.100-040-A4	M10	48.0	3.3	23.0	8.0	40	A4 s/s
P0329.100-045-A4	M10	48.0	3.3	23.0	8.0	45	A4 s/s
P0329.100-050-A4	M10	48.0	3.3	23.0	8.0	50	A4 s/s
P0329.100-055-A4	M10	48.0	3.3	23.0	8.0	55	A4 s/s
P0329.100-060-A4	M10	48.0	3.3	23.0	8.0	60	A4 s/s
P0329.120-020-A4	M12	62.0	4.5	31.0	10.0	20	A4 s/s
P0329.120-025-A4	M12	62.0	4.5	31.0	10.0	25	A4 s/s
P0329.120-030-A4	M12	62.0	4.5	31.0	10.0	30	A4 s/s

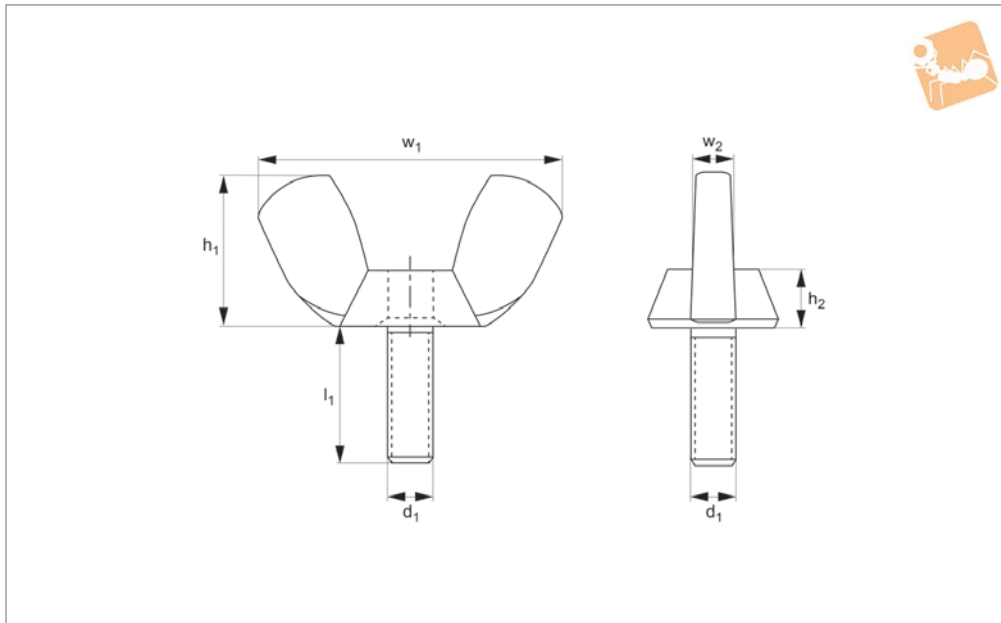


Wing Screws

Male thread - steel, zinc-plated



Nuts



P0329.ZP

NUTS

Material

Steel, zinc-plated.

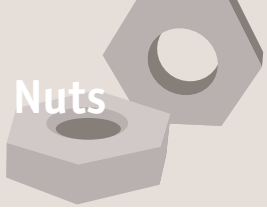
Tips

Other sizes available on request.

Technical Notes

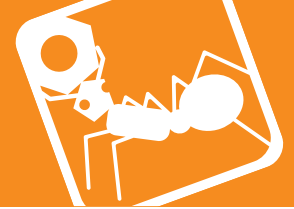
To DIN 316 AF.

Order No.	d ₁	w ₁	w ₂	h ₁	h ₂	l ₁	Material
P0329.040-010-ZP	M 4	18.0	1.6	8.5	3.2	10	Steel ZP
P0329.040-012-ZP	M 4	18.0	1.6	8.5	3.2	12	Steel ZP
P0329.040-016-ZP	M 4	18.0	1.6	8.5	3.2	16	Steel ZP
P0329.040-020-ZP	M 4	18.0	1.6	8.5	3.2	20	Steel ZP
P0329.040-025-ZP	M 4	18.0	1.6	8.5	3.2	25	Steel ZP
P0329.040-030-ZP	M 4	18.0	1.6	8.5	3.2	30	Steel ZP
P0329.050-010-ZP	M 5	24.0	2.1	11.0	4.0	10	Steel ZP
P0329.050-012-ZP	M 5	24.0	2.1	11.0	4.0	12	Steel ZP
P0329.050-016-ZP	M 5	24.0	2.1	11.0	4.0	16	Steel ZP
P0329.050-020-ZP	M 5	24.0	2.1	11.0	4.0	20	Steel ZP
P0329.050-025-ZP	M 5	24.0	2.1	11.0	4.0	25	Steel ZP
P0329.050-030-ZP	M 5	24.0	2.1	11.0	4.0	30	Steel ZP
P0329.050-035-ZP	M 5	24.0	2.1	11.0	4.0	35	Steel ZP
P0329.050-040-ZP	M 5	24.0	2.1	11.0	4.0	40	Steel ZP
P0329.050-045-ZP	M 5	24.0	2.1	11.0	4.0	45	Steel ZP
P0329.050-050-ZP	M 5	24.0	2.1	11.0	4.0	50	Steel ZP
P0329.060-010-ZP	M 6	30.0	2.5	15.0	5.0	10	Steel ZP
P0329.060-012-ZP	M 6	30.0	2.5	15.0	5.0	12	Steel ZP
P0329.060-016-ZP	M 6	30.0	2.5	15.0	5.0	16	Steel ZP
P0329.060-020-ZP	M 6	30.0	2.5	15.0	5.0	20	Steel ZP
P0329.060-025-ZP	M 6	30.0	2.5	15.0	5.0	25	Steel ZP
P0329.060-030-ZP	M 6	30.0	2.5	15.0	5.0	30	Steel ZP
P0329.060-035-ZP	M 6	30.0	2.5	15.0	5.0	35	Steel ZP
P0329.060-040-ZP	M 6	30.0	2.5	15.0	5.0	40	Steel ZP
P0329.060-045-ZP	M 6	30.0	2.5	15.0	5.0	45	Steel ZP
P0329.060-050-ZP	M 6	30.0	2.5	15.0	5.0	50	Steel ZP
P0329.080-010-ZP	M 8	36.0	2.8	18.0	6.5	10	Steel ZP
P0329.080-012-ZP	M 8	36.0	2.8	18.0	6.5	12	Steel ZP
P0329.080-016-ZP	M 8	36.0	2.8	18.0	6.5	16	Steel ZP
P0329.080-020-ZP	M 8	36.0	2.8	18.0	6.5	20	Steel ZP
P0329.080-025-ZP	M 8	36.0	2.8	18.0	6.5	25	Steel ZP
P0329.080-030-ZP	M 8	36.0	2.8	18.0	6.5	30	Steel ZP
P0329.080-035-ZP	M 8	36.0	2.8	18.0	6.5	35	Steel ZP
P0329.080-040-ZP	M 8	36.0	2.8	18.0	6.5	40	Steel ZP



Wing Screws

Male thread - steel, zinc-plated



Order No.	d ₁	w ₁	w ₂	h ₁	h ₂	l ₁	Material
P0329.080-045-ZP	M 8	36.0	2.8	18.0	6.5	45	Steel ZP
P0329.080-050-ZP	M 8	36.0	2.8	18.0	6.5	50	Steel ZP
P0329.080-055-ZP	M 8	36.0	2.8	18.0	6.5	55	Steel ZP
P0329.080-060-ZP	M 8	36.0	2.8	18.0	6.5	60	Steel ZP
P0329.100-016-ZP	M10	48.0	3.3	23.0	8.0	16	Steel ZP
P0329.100-020-ZP	M10	48.0	3.3	23.0	8.0	20	Steel ZP
P0329.100-025-ZP	M10	48.0	3.3	23.0	8.0	25	Steel ZP
P0329.100-030-ZP	M10	48.0	3.3	23.0	8.0	30	Steel ZP
P0329.100-035-ZP	M10	48.0	3.3	23.0	8.0	35	Steel ZP
P0329.100-040-ZP	M10	48.0	3.3	23.0	8.0	40	Steel ZP
P0329.100-045-ZP	M10	48.0	3.3	23.0	8.0	45	Steel ZP
P0329.100-050-ZP	M10	48.0	3.3	23.0	8.0	50	Steel ZP
P0329.100-055-ZP	M10	48.0	3.3	23.0	8.0	55	Steel ZP
P0329.100-060-ZP	M10	48.0	3.3	23.0	8.0	60	Steel ZP
P0329.120-020-ZP	M12	62.0	4.5	31.0	10.0	20	Steel ZP
P0329.120-025-ZP	M12	62.0	4.5	31.0	10.0	25	Steel ZP
P0329.120-030-ZP	M12	62.0	4.5	31.0	10.0	30	Steel ZP