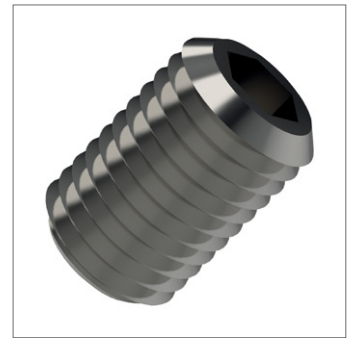
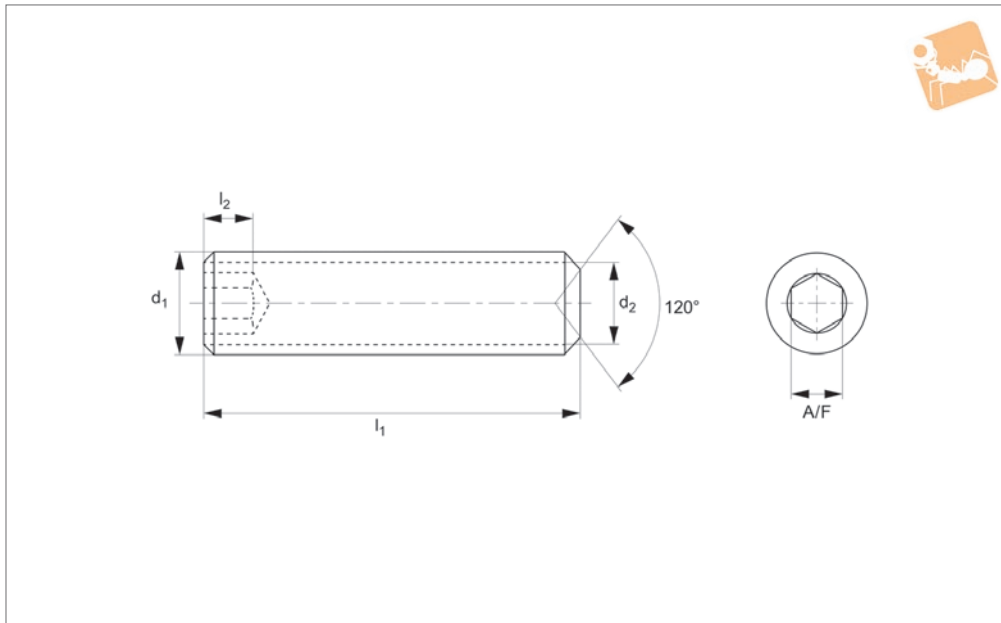




# Socket Set Screws Cup Point

Cup Point - A4 stainless

Standard Screws



**P0270.A4**

STANDARD SCREWS

### Material

Stainless steel (A4).

See technical page for tightening torques.

### Technical Notes

To DIN 916, cup point.

Order No.	d <sub>1</sub>	l <sub>1</sub>	d <sub>2</sub>	l <sub>2</sub> min.	A/F
P0270.020-003-A4	M 2	3	0.75	0.8	0.9
P0270.020-004-A4	M 2	4	0.75	0.8	0.9
P0270.020-005-A4	M 2	5	0.75	0.8	0.9
P0270.020-006-A4	M 2	6	0.75	0.8	0.9
P0270.020-008-A4	M 2	8	0.75	0.8	0.9
P0270.020-010-A4	M 2	10	0.75	0.8	0.9
P0270.020-012-A4	M 2	12	0.75	0.8	0.9
P0270.020-016-A4	M 2	16	0.75	0.8	0.9
P0270.025-003-A4	M2,5	3	1.25	1.0	1.3
P0270.025-004-A4	M2,5	4	1.25	1.0	1.3
P0270.025-005-A4	M2,5	5	1.25	1.0	1.3
P0270.025-006-A4	M2,5	6	1.25	1.0	1.3
P0270.025-008-A4	M2,5	8	1.25	1.0	1.3
P0270.025-010-A4	M2,5	10	1.25	1.0	1.3
P0270.025-012-A4	M2,5	12	1.25	1.0	1.3
P0270.025-016-A4	M2,5	16	1.25	1.0	1.3
P0270.030-003-A4	M 3	3	1.75	1.0	1.5
P0270.030-004-A4	M 3	4	1.75	1.0	1.5
P0270.030-005-A4	M 3	5	1.75	1.0	1.5
P0270.030-006-A4	M 3	6	1.75	1.0	1.5
P0270.030-008-A4	M 3	8	1.75	1.0	1.5
P0270.030-010-A4	M 3	10	1.75	1.0	1.5
P0270.030-012-A4	M 3	12	1.75	1.0	1.5
P0270.030-016-A4	M 3	16	1.75	1.0	1.5
P0270.030-020-A4	M 3	20	1.75	1.0	1.5
P0270.030-025-A4	M 3	25	1.75	1.0	1.5
P0270.030-030-A4	M 3	30	1.75	1.0	1.5
P0270.040-003-A4	M 4	3	2.25	1.5	2.35
P0270.040-004-A4	M 4	4	2.25	1.5	2.35
P0270.040-005-A4	M 4	5	2.25	1.5	2.35
P0270.040-006-A4	M 4	6	2.25	1.5	2.35
P0270.040-008-A4	M 4	8	2.25	1.5	2.35
P0270.040-010-A4	M 4	10	2.25	1.5	2.35
P0270.040-012-A4	M 4	12	2.25	1.5	2.35



STANDARD SCREWS

Order No.	d <sub>1</sub>	l <sub>1</sub>	d <sub>2</sub>	l <sub>2</sub> min.	A/F
P0270.040-016-A4	M 4	16	2.25	1.5	2.35
P0270.040-020-A4	M 4	20	2.25	1.5	2.35
P0270.040-025-A4	M 4	25	2.25	1.5	2.35
P0270.040-030-A4	M 4	30	2.25	1.5	2.35
P0270.040-035-A4	M 4	35	2.25	1.5	2.35
P0270.040-040-A4	M 4	40	2.25	1.5	2.35
P0270.050-005-A4	M 5	5	3.20	2.0	2.5
P0270.050-006-A4	M 5	6	3.20	2.0	2.5
P0270.050-008-A4	M 5	8	3.20	2.0	2.5
P0270.050-010-A4	M 5	10	3.20	2.0	2.5
P0270.050-012-A4	M 5	12	3.20	2.0	2.5
P0270.050-016-A4	M 5	16	3.20	2.0	2.5
P0270.050-020-A4	M 5	20	3.20	2.0	2.5
P0270.050-025-A4	M 5	25	3.20	2.0	2.5
P0270.050-030-A4	M 5	30	3.20	2.0	2.5
P0270.050-035-A4	M 5	35	3.20	2.0	2.5
P0270.050-040-A4	M 5	40	3.20	2.0	2.5
P0270.050-050-A4	M 5	50	3.20	2.0	2.5
P0270.060-004-A4	M 6	4	3.70	2.0	3.0
P0270.060-005-A4	M 6	5	3.70	2.0	3.0
P0270.060-006-A4	M 6	6	3.70	2.0	3.0
P0270.060-008-A4	M 6	8	3.70	2.0	3.0
P0270.060-010-A4	M 6	10	3.70	2.0	3.0
P0270.060-012-A4	M 6	12	3.70	2.0	3.0
P0270.060-016-A4	M 6	16	3.70	2.0	3.0
P0270.060-020-A4	M 6	20	3.70	2.0	3.0
P0270.060-025-A4	M 6	25	3.70	2.0	3.0
P0270.060-030-A4	M 6	30	3.70	2.0	3.0
P0270.060-035-A4	M 6	35	3.70	2.0	3.0
P0270.060-040-A4	M 6	40	3.70	2.0	3.0
P0270.060-045-A4	M 6	45	3.70	2.0	3.0
P0270.060-050-A4	M 6	50	3.70	2.0	3.0
P0270.060-055-A4	M 6	55	3.70	2.0	3.0
P0270.060-060-A4	M 6	60	3.70	2.0	3.0
P0270.060-070-A4	M 6	70	3.70	2.0	3.0
P0270.080-006-A4	M 8	6	5.20	3.0	4.0
P0270.080-008-A4	M 8	8	5.20	3.0	4.0
P0270.080-010-A4	M 8	10	5.20	3.0	4.0
P0270.080-012-A4	M 8	12	5.20	3.0	4.0
P0270.080-016-A4	M 8	16	5.20	3.0	4.0
P0270.080-020-A4	M 8	20	5.20	3.0	4.0
P0270.080-025-A4	M 8	25	5.20	3.0	4.0
P0270.080-030-A4	M 8	30	5.20	3.0	4.0
P0270.080-035-A4	M 8	35	5.20	3.0	4.0
P0270.080-040-A4	M 8	40	5.20	3.0	4.0
P0270.080-050-A4	M 8	50	5.20	3.0	4.0
P0270.080-060-A4	M 8	60	5.20	3.0	4.0
P0270.080-070-A4	M 8	70	5.20	3.0	4.0
P0270.080-080-A4	M 8	80	5.20	3.0	4.0
P0270.100-010-A4	M10	10	6.64	4.0	5.0
P0270.100-012-A4	M10	12	6.64	4.0	5.0
P0270.100-016-A4	M10	16	6.64	4.0	5.0
P0270.100-020-A4	M10	20	6.64	4.0	5.0
P0270.100-025-A4	M10	25	6.64	4.0	5.0
P0270.100-030-A4	M10	30	6.64	4.0	5.0
P0270.100-035-A4	M10	35	6.64	4.0	5.0
P0270.100-040-A4	M10	40	6.64	4.0	5.0
P0270.100-045-A4	M10	45	6.64	4.0	5.0
P0270.100-050-A4	M10	50	6.64	4.0	5.0
P0270.100-055-A4	M10	55	6.64	4.0	5.0
P0270.100-060-A4	M10	60	6.64	4.0	5.0
P0270.100-070-A4	M10	70	6.64	4.0	5.0
P0270.100-080-A4	M10	80	6.64	4.0	5.0
P0270.100-090-A4	M10	90	6.64	4.0	5.0
P0270.120-010-A4	M12	10	8.14	4.8	5.0
P0270.120-012-A4	M12	12	8.14	4.8	5.0
P0270.120-016-A4	M12	16	8.14	4.8	5.0
P0270.120-020-A4	M12	20	8.14	4.8	5.0



# Socket Set Screws Cup Point

Cup Point - A4 stainless

Standard Screws

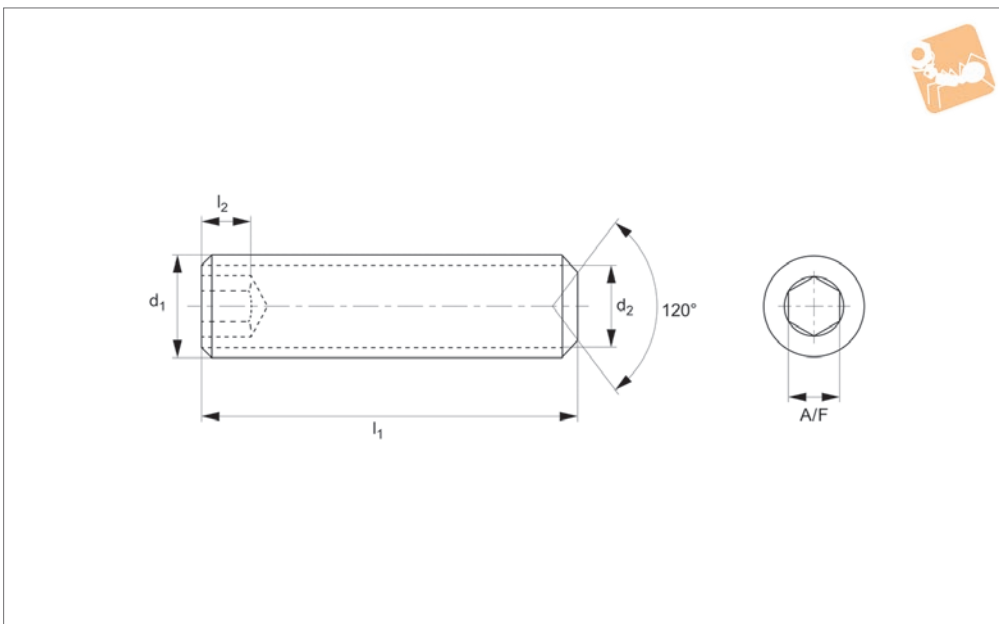


Order No.	d <sub>1</sub>	l <sub>1</sub>	d <sub>2</sub>	l <sub>2</sub> min.	A/F
P0270.120-025-A4	M12	25	8.14	4.8	5.0
P0270.120-030-A4	M12	30	8.14	4.8	5.0
P0270.120-035-A4	M12	35	8.14	4.8	5.0
P0270.120-040-A4	M12	40	8.14	4.8	5.0
P0270.120-045-A4	M12	45	8.14	4.8	5.0
P0270.120-050-A4	M12	50	8.14	4.8	5.0
P0270.120-055-A4	M12	55	8.14	4.8	5.0
P0270.120-060-A4	M12	60	8.14	4.8	5.0
P0270.120-070-A4	M12	70	8.14	4.8	5.0
P0270.120-080-A4	M12	80	8.14	4.8	5.0
P0270.120-090-A4	M12	90	8.14	4.8	5.0
P0270.160-016-A4	M16	16	9.64	6.4	8.0
P0270.160-020-A4	M16	20	9.64	6.4	8.0
P0270.160-025-A4	M16	25	9.64	6.4	8.0
P0270.160-030-A4	M16	30	9.64	6.4	8.0
P0270.160-035-A4	M16	35	9.64	6.4	8.0
P0270.160-040-A4	M16	40	9.64	6.4	8.0
P0270.160-045-A4	M16	45	9.64	6.4	8.0
P0270.160-050-A4	M16	50	9.64	6.4	8.0
P0270.160-055-A4	M16	55	9.64	6.4	8.0
P0270.160-060-A4	M16	60	9.64	6.4	8.0
P0270.160-070-A4	M16	70	9.64	6.4	8.0
P0270.160-080-A4	M16	80	9.64	6.4	8.0
P0270.160-090-A4	M16	90	9.64	6.4	8.0
P0270.160-100-A4	M16	100	9.64	6.4	8.0
P0270.200-020-A4	M20	20	13.57	8.0	10
P0270.200-025-A4	M20	25	13.57	8.0	10
P0270.200-030-A4	M20	30	13.57	8.0	10
P0270.200-035-A4	M20	35	13.57	8.0	10
P0270.200-040-A4	M20	40	13.57	8.0	10
P0270.200-045-A4	M20	45	13.57	8.0	10
P0270.200-050-A4	M20	50	13.57	8.0	10
P0270.200-055-A4	M20	55	13.57	8.0	10
P0270.200-060-A4	M20	60	13.57	8.0	10
P0270.200-070-A4	M20	70	13.57	8.0	10
P0270.200-080-A4	M20	80	13.57	8.0	10
P0270.200-090-A4	M20	90	13.57	8.0	10
P0270.200-100-A4	M20	100	13.57	8.0	10

STANDARD SCREWS



**P0270.ZP**



**Material**

Steel, zinc-plated (class 45H).

**Technical Notes**

To DIN 916, cup point.

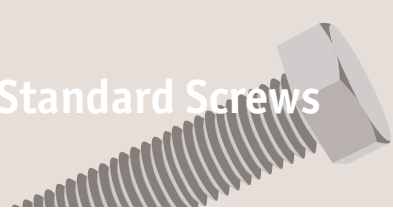
Order No.	d <sub>1</sub>	l <sub>1</sub>	d <sub>2</sub>	l <sub>2</sub> min.	A/F
P0270.020-003-ZP	M 2	3	0.75	0.8	0.9
P0270.020-004-ZP	M 2	4	0.75	0.8	0.9
P0270.020-005-ZP	M 2	5	0.75	0.8	0.9
P0270.020-006-ZP	M 2	6	0.75	0.8	0.9
P0270.020-008-ZP	M 2	8	0.75	0.8	0.9
P0270.020-010-ZP	M 2	10	0.75	0.8	0.9
P0270.020-012-ZP	M 2	12	0.75	0.8	0.9
P0270.020-016-ZP	M 2	16	0.75	0.8	0.9
P0270.025-003-ZP	M2,5	3	1.25	1.0	1.3
P0270.025-004-ZP	M2,5	4	1.25	1.0	1.3
P0270.025-005-ZP	M2,5	5	1.25	1.0	1.3
P0270.025-006-ZP	M2,5	6	1.25	1.0	1.3
P0270.025-008-ZP	M2,5	8	1.25	1.0	1.3
P0270.025-010-ZP	M2,5	10	1.25	1.0	1.3
P0270.025-012-ZP	M2,5	12	1.25	1.0	1.3
P0270.025-016-ZP	M2,5	16	1.25	1.0	1.3
P0270.030-003-ZP	M 3	3	1.75	1.0	1.5
P0270.030-004-ZP	M 3	4	1.75	1.0	1.5
P0270.030-005-ZP	M 3	5	1.75	1.0	1.5
P0270.030-006-ZP	M 3	6	1.75	1.0	1.5
P0270.030-008-ZP	M 3	8	1.75	1.0	1.5
P0270.030-010-ZP	M 3	10	1.75	1.0	1.5
P0270.030-012-ZP	M 3	12	1.75	1.0	1.5
P0270.030-016-ZP	M 3	16	1.75	1.0	1.5
P0270.030-020-ZP	M 3	20	1.75	1.0	1.5
P0270.030-025-ZP	M 3	25	1.75	1.0	1.5
P0270.030-030-ZP	M 3	30	1.75	1.0	1.5
P0270.040-003-ZP	M 4	3	2.25	1.5	2.35
P0270.040-004-ZP	M 4	4	2.25	1.5	2.35
P0270.040-005-ZP	M 4	5	2.25	1.5	2.35
P0270.040-006-ZP	M 4	6	2.25	1.5	2.35
P0270.040-008-ZP	M 4	8	2.25	1.5	2.35
P0270.040-010-ZP	M 4	10	2.25	1.5	2.35
P0270.040-012-ZP	M 4	12	2.25	1.5	2.35



# Socket Set Screws Cup Point

Cup Point - steel, zinc-plated

Standard Screws



Order No.	d <sub>1</sub>	l <sub>1</sub>	d <sub>2</sub>	l <sub>2</sub> min.	A/F
P0270.040-016-ZP	M 4	16	2.25	1.5	2.35
P0270.040-020-ZP	M 4	20	2.25	1.5	2.35
P0270.040-025-ZP	M 4	25	2.25	1.5	2.35
P0270.040-030-ZP	M 4	30	2.25	1.5	2.35
P0270.040-035-ZP	M 4	35	2.25	1.5	2.35
P0270.040-040-ZP	M 4	40	2.25	1.5	2.35
P0270.050-005-ZP	M 5	5	3.20	2.0	2.5
P0270.050-006-ZP	M 5	6	3.20	2.0	2.5
P0270.050-008-ZP	M 5	8	3.20	2.0	2.5
P0270.050-010-ZP	M 5	10	3.20	2.0	2.5
P0270.050-012-ZP	M 5	12	3.20	2.0	2.5
P0270.050-016-ZP	M 5	16	3.20	2.0	2.5
P0270.050-020-ZP	M 5	20	3.20	2.0	2.5
P0270.050-025-ZP	M 5	25	3.20	2.0	2.5
P0270.050-030-ZP	M 5	30	3.20	2.0	2.5
P0270.050-035-ZP	M 5	35	3.20	2.0	2.5
P0270.050-040-ZP	M 5	40	3.20	2.0	2.5
P0270.050-050-ZP	M 5	50	3.20	2.0	2.5
P0270.060-004-ZP	M 6	4	3.70	2.0	3.0
P0270.060-005-ZP	M 6	5	3.70	2.0	3.0
P0270.060-006-ZP	M 6	6	3.70	2.0	3.0
P0270.060-008-ZP	M 6	8	3.70	2.0	3.0
P0270.060-010-ZP	M 6	10	3.70	2.0	3.0
P0270.060-012-ZP	M 6	12	3.70	2.0	3.0
P0270.060-016-ZP	M 6	16	3.70	2.0	3.0
P0270.060-020-ZP	M 6	20	3.70	2.0	3.0
P0270.060-025-ZP	M 6	25	3.70	2.0	3.0
P0270.060-030-ZP	M 6	30	3.70	2.0	3.0
P0270.060-035-ZP	M 6	35	3.70	2.0	3.0
P0270.060-040-ZP	M 6	40	3.70	2.0	3.0
P0270.060-045-ZP	M 6	45	3.70	2.0	3.0
P0270.060-050-ZP	M 6	50	3.70	2.0	3.0
P0270.060-055-ZP	M 6	55	3.70	2.0	3.0
P0270.060-060-ZP	M 6	60	3.70	2.0	3.0
P0270.060-070-ZP	M 6	70	3.70	2.0	3.0
P0270.080-006-ZP	M 8	6	5.20	3.0	4.0
P0270.080-008-ZP	M 8	8	5.20	3.0	4.0
P0270.080-010-ZP	M 8	10	5.20	3.0	4.0
P0270.080-012-ZP	M 8	12	5.20	3.0	4.0
P0270.080-016-ZP	M 8	16	5.20	3.0	4.0
P0270.080-020-ZP	M 8	20	5.20	3.0	4.0
P0270.080-025-ZP	M 8	25	5.20	3.0	4.0
P0270.080-030-ZP	M 8	30	5.20	3.0	4.0
P0270.080-035-ZP	M 8	35	5.20	3.0	4.0
P0270.080-040-ZP	M 8	40	5.20	3.0	4.0
P0270.080-050-ZP	M 8	50	5.20	3.0	4.0
P0270.080-060-ZP	M 8	60	5.20	3.0	4.0
P0270.080-070-ZP	M 8	70	5.20	3.0	4.0
P0270.080-080-ZP	M 8	80	5.20	3.0	4.0
P0270.100-010-ZP	M10	10	6.64	4.0	5.0
P0270.100-012-ZP	M10	12	6.64	4.0	5.0
P0270.100-016-ZP	M10	16	6.64	4.0	5.0
P0270.100-020-ZP	M10	20	6.64	4.0	5.0
P0270.100-025-ZP	M10	25	6.64	4.0	5.0
P0270.100-030-ZP	M10	30	6.64	4.0	5.0
P0270.100-035-ZP	M10	35	6.64	4.0	5.0
P0270.100-040-ZP	M10	40	6.64	4.0	5.0
P0270.100-045-ZP	M10	45	6.64	4.0	5.0
P0270.100-050-ZP	M10	50	6.64	4.0	5.0
P0270.100-055-ZP	M10	55	6.64	4.0	5.0
P0270.100-060-ZP	M10	60	6.64	4.0	5.0
P0270.100-070-ZP	M10	70	6.64	4.0	5.0
P0270.100-080-ZP	M10	80	6.64	4.0	5.0
P0270.100-090-ZP	M10	90	6.64	4.0	5.0
P0270.120-010-ZP	M12	10	8.14	4.8	5.0
P0270.120-012-ZP	M12	12	8.14	4.8	5.0
P0270.120-016-ZP	M12	16	8.14	4.8	5.0
P0270.120-020-ZP	M12	20	8.14	4.8	5.0

STANDARD SCREWS



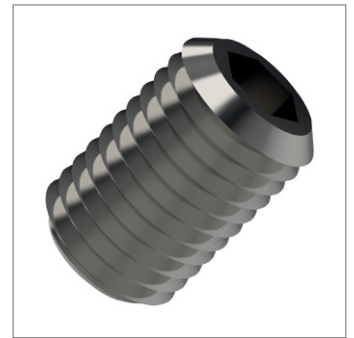
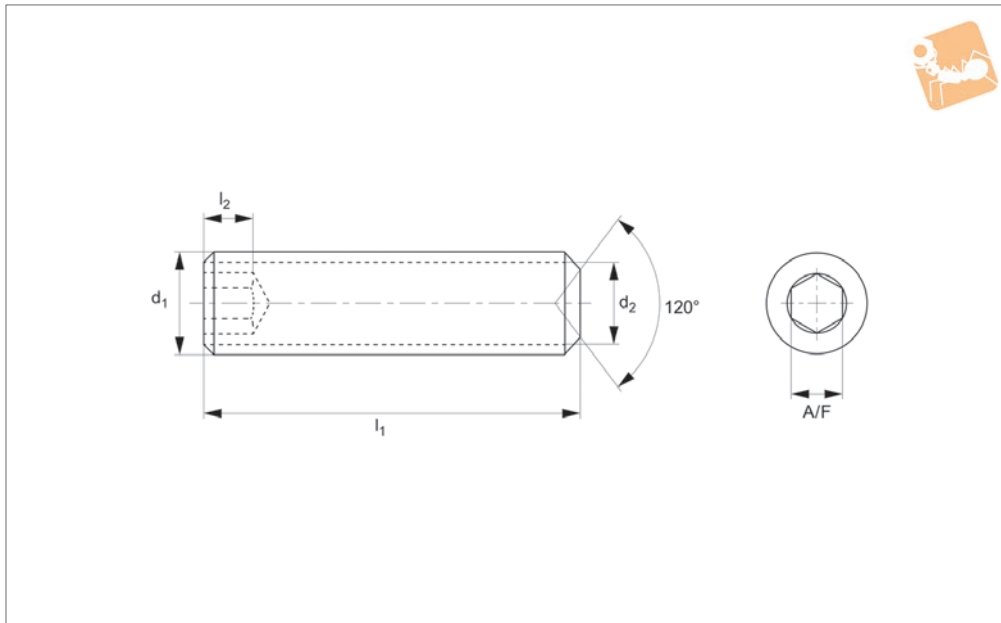
Order No.	d <sub>1</sub>	l <sub>1</sub>	d <sub>2</sub>	l <sub>2</sub> min.	A/F
P0270.120-025-ZP	M12	25	8.14	4.8	5.0
P0270.120-030-ZP	M12	30	8.14	4.8	5.0
P0270.120-035-ZP	M12	35	8.14	4.8	5.0
P0270.120-040-ZP	M12	40	8.14	4.8	5.0
P0270.120-045-ZP	M12	45	8.14	4.8	5.0
P0270.120-050-ZP	M12	50	8.14	4.8	5.0
P0270.120-055-ZP	M12	55	8.14	4.8	5.0
P0270.120-060-ZP	M12	60	8.14	4.8	5.0
P0270.120-070-ZP	M12	70	8.14	4.8	5.0
P0270.120-080-ZP	M12	80	8.14	4.8	5.0
P0270.120-090-ZP	M12	90	8.14	4.8	5.0
P0270.160-016-ZP	M16	16	9.64	6.4	8.0
P0270.160-020-ZP	M16	20	9.64	6.4	8.0
P0270.160-025-ZP	M16	25	9.64	6.4	8.0
P0270.160-030-ZP	M16	30	9.64	6.4	8.0
P0270.160-035-ZP	M16	35	9.64	6.4	8.0
P0270.160-040-ZP	M16	40	9.64	6.4	8.0
P0270.160-045-ZP	M16	45	9.64	6.4	8.0
P0270.160-050-ZP	M16	50	9.64	6.4	8.0
P0270.160-055-ZP	M16	55	9.64	6.4	8.0
P0270.160-060-ZP	M16	60	9.64	6.4	8.0
P0270.160-070-ZP	M16	70	9.64	6.4	8.0
P0270.160-080-ZP	M16	80	9.64	6.4	8.0
P0270.160-090-ZP	M16	90	9.64	6.4	8.0
P0270.160-100-ZP	M16	100	9.64	6.4	8.0
P0270.200-020-ZP	M20	20	13.57	8.0	10
P0270.200-025-ZP	M20	25	13.57	8.0	10
P0270.200-030-ZP	M20	30	13.57	8.0	10
P0270.200-035-ZP	M20	35	13.57	8.0	10
P0270.200-040-ZP	M20	40	13.57	8.0	10
P0270.200-045-ZP	M20	45	13.57	8.0	10
P0270.200-050-ZP	M20	50	13.57	8.0	10
P0270.200-055-ZP	M20	55	13.57	8.0	10
P0270.200-060-ZP	M20	60	13.57	8.0	10
P0270.200-070-ZP	M20	70	13.57	8.0	10
P0270.200-080-ZP	M20	80	13.57	8.0	10
P0270.200-090-ZP	M20	90	13.57	8.0	10
P0270.200-100-ZP	M20	100	13.57	8.0	10



# Socket Set Screws Cup Point

Cup Point - A2 stainless

Standard Screws



**P0270.A2**

STANDARD SCREWS

### Material

Stainless steel (A2).

See technical page for tightening torques.

### Technical Notes

To DIN 916, cup point.

Order No.	d <sub>1</sub>	l <sub>1</sub>	d <sub>2</sub>	l <sub>2</sub> min.	A/F
P0270.020-003-A2	M 2	3	0.75	0.8	0.9
P0270.020-004-A2	M 2	4	0.75	0.8	0.9
P0270.020-005-A2	M 2	5	0.75	0.8	0.9
P0270.020-006-A2	M 2	6	0.75	0.8	0.9
P0270.020-008-A2	M 2	8	0.75	0.8	0.9
P0270.020-010-A2	M 2	10	0.75	0.8	0.9
P0270.020-012-A2	M 2	12	0.75	0.8	0.9
P0270.020-016-A2	M 2	16	0.75	0.8	0.9
P0270.025-003-A2	M2,5	3	1.25	1.0	1.3
P0270.025-004-A2	M2,5	4	1.25	1.0	1.3
P0270.025-005-A2	M2,5	5	1.25	1.0	1.3
P0270.025-006-A2	M2,5	6	1.25	1.0	1.3
P0270.025-008-A2	M2,5	8	1.25	1.0	1.3
P0270.025-010-A2	M2,5	10	1.25	1.0	1.3
P0270.025-012-A2	M2,5	12	1.25	1.0	1.3
P0270.025-016-A2	M2,5	16	1.25	1.0	1.3
P0270.030-003-A2	M 3	3	1.75	1.0	1.5
P0270.030-004-A2	M 3	4	1.75	1.0	1.5
P0270.030-005-A2	M 3	5	1.75	1.0	1.5
P0270.030-006-A2	M 3	6	1.75	1.0	1.5
P0270.030-008-A2	M 3	8	1.75	1.0	1.5
P0270.030-010-A2	M 3	10	1.75	1.0	1.5
P0270.030-012-A2	M 3	12	1.75	1.0	1.5
P0270.030-016-A2	M 3	16	1.75	1.0	1.5
P0270.030-020-A2	M 3	20	1.75	1.0	1.5
P0270.030-025-A2	M 3	25	1.75	1.0	1.5
P0270.030-030-A2	M 3	30	1.75	1.0	1.5
P0270.040-003-A2	M 4	3	2.25	1.5	2.35
P0270.040-004-A2	M 4	4	2.25	1.5	2.35
P0270.040-005-A2	M 4	5	2.25	1.5	2.35
P0270.040-006-A2	M 4	6	2.25	1.5	2.35
P0270.040-008-A2	M 4	8	2.25	1.5	2.35
P0270.040-010-A2	M 4	10	2.25	1.5	2.35
P0270.040-012-A2	M 4	12	2.25	1.5	2.35



Order No.	d <sub>1</sub>	l <sub>1</sub>	d <sub>2</sub>	l <sub>2</sub> min.	A/F
P0270.040-016-A2	M 4	16	2.25	1.5	2.35
P0270.040-020-A2	M 4	20	2.25	1.5	2.35
P0270.040-025-A2	M 4	25	2.25	1.5	2.35
P0270.040-030-A2	M 4	30	2.25	1.5	2.35
P0270.040-035-A2	M 4	35	2.25	1.5	2.35
P0270.040-040-A2	M 4	40	2.25	1.5	2.35
P0270.050-005-A2	M 5	5	3.20	2.0	2.5
P0270.050-006-A2	M 5	6	3.20	2.0	2.5
P0270.050-008-A2	M 5	8	3.20	2.0	2.5
P0270.050-010-A2	M 5	10	3.20	2.0	2.5
P0270.050-012-A2	M 5	12	3.20	2.0	2.5
P0270.050-016-A2	M 5	16	3.20	2.0	2.5
P0270.050-020-A2	M 5	20	3.20	2.0	2.5
P0270.050-025-A2	M 5	25	3.20	2.0	2.5
P0270.050-030-A2	M 5	30	3.20	2.0	2.5
P0270.050-035-A2	M 5	35	3.20	2.0	2.5
P0270.050-040-A2	M 5	40	3.20	2.0	2.5
P0270.050-050-A2	M 5	50	3.20	2.0	2.5
P0270.060-004-A2	M 6	4	3.70	2.0	3.0
P0270.060-005-A2	M 6	5	3.70	2.0	3.0
P0270.060-006-A2	M 6	6	3.70	2.0	3.0
P0270.060-008-A2	M 6	8	3.70	2.0	3.0
P0270.060-010-A2	M 6	10	3.70	2.0	3.0
P0270.060-012-A2	M 6	12	3.70	2.0	3.0
P0270.060-016-A2	M 6	16	3.70	2.0	3.0
P0270.060-020-A2	M 6	20	3.70	2.0	3.0
P0270.060-025-A2	M 6	25	3.70	2.0	3.0
P0270.060-030-A2	M 6	30	3.70	2.0	3.0
P0270.060-035-A2	M 6	35	3.70	2.0	3.0
P0270.060-040-A2	M 6	40	3.70	2.0	3.0
P0270.060-045-A2	M 6	45	3.70	2.0	3.0
P0270.060-050-A2	M 6	50	3.70	2.0	3.0
P0270.060-055-A2	M 6	55	3.70	2.0	3.0
P0270.060-060-A2	M 6	60	3.70	2.0	3.0
P0270.060-070-A2	M 6	70	3.70	2.0	3.0
P0270.080-006-A2	M 8	6	5.20	3.0	4.0
P0270.080-008-A2	M 8	8	5.20	3.0	4.0
P0270.080-010-A2	M 8	10	5.20	3.0	4.0
P0270.080-012-A2	M 8	12	5.20	3.0	4.0
P0270.080-016-A2	M 8	16	5.20	3.0	4.0
P0270.080-020-A2	M 8	20	5.20	3.0	4.0
P0270.080-025-A2	M 8	25	5.20	3.0	4.0
P0270.080-030-A2	M 8	30	5.20	3.0	4.0
P0270.080-035-A2	M 8	35	5.20	3.0	4.0
P0270.080-040-A2	M 8	40	5.20	3.0	4.0
P0270.080-050-A2	M 8	50	5.20	3.0	4.0
P0270.080-060-A2	M 8	60	5.20	3.0	4.0
P0270.080-070-A2	M 8	70	5.20	3.0	4.0
P0270.080-080-A2	M 8	80	5.20	3.0	4.0
P0270.100-010-A2	M10	10	6.64	4.0	5.0
P0270.100-012-A2	M10	12	6.64	4.0	5.0
P0270.100-016-A2	M10	16	6.64	4.0	5.0
P0270.100-020-A2	M10	20	6.64	4.0	5.0
P0270.100-025-A2	M10	25	6.64	4.0	5.0
P0270.100-030-A2	M10	30	6.64	4.0	5.0
P0270.100-035-A2	M10	35	6.64	4.0	5.0
P0270.100-040-A2	M10	40	6.64	4.0	5.0
P0270.100-045-A2	M10	45	6.64	4.0	5.0
P0270.100-050-A2	M10	50	6.64	4.0	5.0
P0270.100-055-A2	M10	55	6.64	4.0	5.0
P0270.100-060-A2	M10	60	6.64	4.0	5.0
P0270.100-070-A2	M10	70	6.64	4.0	5.0
P0270.100-080-A2	M10	80	6.64	4.0	5.0
P0270.100-090-A2	M10	90	6.64	4.0	5.0
P0270.120-010-A2	M12	10	8.14	4.8	5.0
P0270.120-012-A2	M12	12	8.14	4.8	5.0
P0270.120-016-A2	M12	16	8.14	4.8	5.0
P0270.120-020-A2	M12	20	8.14	4.8	5.0

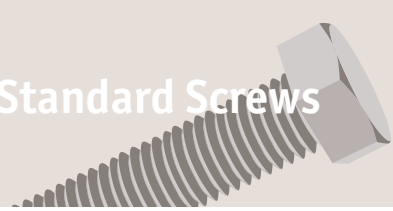




# Socket Set Screws Cup Point

Cup Point - A2 stainless

Standard Screws

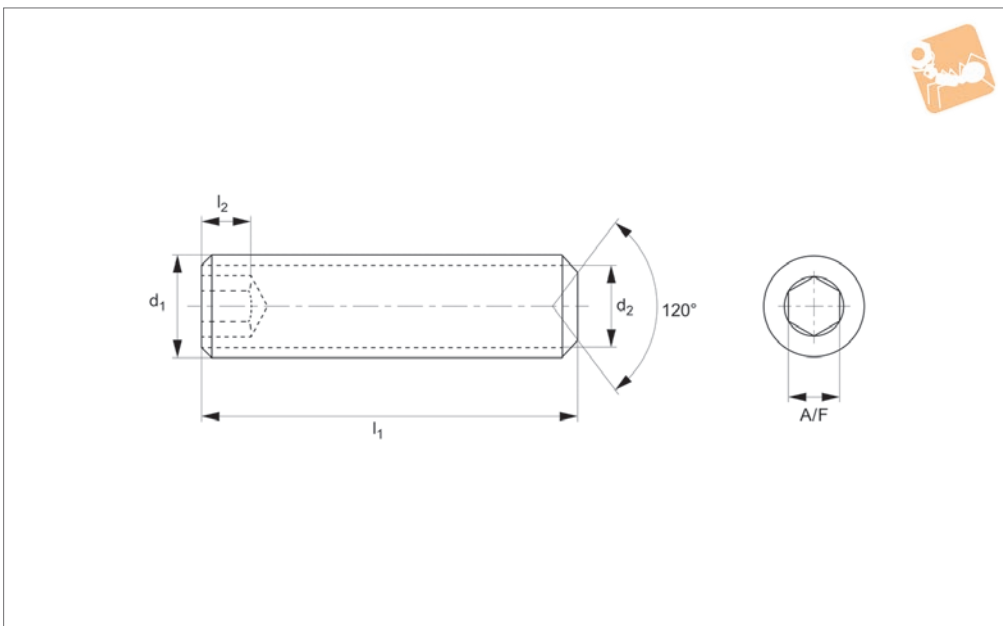


Order No.	d <sub>1</sub>	l <sub>1</sub>	d <sub>2</sub>	l <sub>2</sub> min.	A/F
P0270.120-025-A2	M12	25	8.14	4.8	5.0
P0270.120-030-A2	M12	30	8.14	4.8	5.0
P0270.120-035-A2	M12	35	8.14	4.8	5.0
P0270.120-040-A2	M12	40	8.14	4.8	5.0
P0270.120-045-A2	M12	45	8.14	4.8	5.0
P0270.120-050-A2	M12	50	8.14	4.8	5.0
P0270.120-055-A2	M12	55	8.14	4.8	5.0
P0270.120-060-A2	M12	60	8.14	4.8	5.0
P0270.120-070-A2	M12	70	8.14	4.8	5.0
P0270.120-080-A2	M12	80	8.14	4.8	5.0
P0270.120-090-A2	M12	90	8.14	4.8	5.0
P0270.160-016-A2	M16	16	9.64	6.4	8.0
P0270.160-020-A2	M16	20	9.64	6.4	8.0
P0270.160-025-A2	M16	25	9.64	6.4	8.0
P0270.160-030-A2	M16	30	9.64	6.4	8.0
P0270.160-035-A2	M16	35	9.64	6.4	8.0
P0270.160-040-A2	M16	40	9.64	6.4	8.0
P0270.160-045-A2	M16	45	9.64	6.4	8.0
P0270.160-050-A2	M16	50	9.64	6.4	8.0
P0270.160-055-A2	M16	55	9.64	6.4	8.0
P0270.160-060-A2	M16	60	9.64	6.4	8.0
P0270.160-070-A2	M16	70	9.64	6.4	8.0
P0270.160-080-A2	M16	80	9.64	6.4	8.0
P0270.160-090-A2	M16	90	9.64	6.4	8.0
P0270.160-100-A2	M16	100	9.64	6.4	8.0
P0270.200-020-A2	M20	20	13.57	8.0	10
P0270.200-025-A2	M20	25	13.57	8.0	10
P0270.200-030-A2	M20	30	13.57	8.0	10
P0270.200-035-A2	M20	35	13.57	8.0	10
P0270.200-040-A2	M20	40	13.57	8.0	10
P0270.200-045-A2	M20	45	13.57	8.0	10
P0270.200-050-A2	M20	50	13.57	8.0	10
P0270.200-055-A2	M20	55	13.57	8.0	10
P0270.200-060-A2	M20	60	13.57	8.0	10
P0270.200-070-A2	M20	70	13.57	8.0	10
P0270.200-080-A2	M20	80	13.57	8.0	10
P0270.200-090-A2	M20	90	13.57	8.0	10
P0270.200-100-A2	M20	100	13.57	8.0	10

STANDARD SCREWS



**P0272.A2**



**Material**

Stainless steel (A2).

See technical page for tightening torques.

**Technical Notes**

To DIN 913, flat point.

Order No.	d <sub>1</sub>	l <sub>1</sub>	d <sub>2</sub>	l <sub>2</sub> min.	A/F
P0272.020-002-A2	M 2	2	0.75	0.8	0.9
P0272.020-003-A2	M 2	3	0.75	0.8	0.9
P0272.020-004-A2	M 2	4	0.75	0.8	0.9
P0272.020-005-A2	M 2	5	0.75	0.8	0.9
P0272.020-006-A2	M 2	6	0.75	0.8	0.9
P0272.020-008-A2	M 2	8	0.75	0.8	0.9
P0272.020-010-A2	M 2	10	0.75	0.8	0.9
P0272.020-012-A2	M 2	12	0.75	0.8	0.9
P0272.020-014-A2	M 2	14	0.75	0.8	0.9
P0272.020-016-A2	M 2	16	0.75	0.8	0.9
P0272.025-003-A2	M2,5	3	1.25	1.2	1.3
P0272.025-004-A2	M2,5	4	1.25	1.2	1.3
P0272.025-005-A2	M2,5	5	1.25	1.2	1.3
P0272.025-006-A2	M2,5	6	1.25	1.2	1.3
P0272.025-008-A2	M2,5	8	1.25	1.2	1.3
P0272.025-010-A2	M2,5	10	1.25	1.2	1.3
P0272.025-012-A2	M2,5	12	1.25	1.2	1.3
P0272.025-014-A2	M 2,5	14	1.25	1.2	1.3
P0272.025-016-A2	M2,5	16	1.25	1.2	1.3
P0272.030-003-A2	M 3	3	1.75	1.2	1.5
P0272.030-004-A2	M 3	4	1.75	1.2	1.5
P0272.030-005-A2	M 3	5	1.75	1.2	1.5
P0272.030-006-A2	M 3	6	1.75	1.2	1.5
P0272.030-008-A2	M 3	8	1.75	1.2	1.5
P0272.030-010-A2	M 3	10	1.75	1.2	1.5
P0272.030-012-A2	M 3	12	1.75	1.2	1.5
P0272.030-014-A2	M 3	14	1.75	1.2	1.5
P0272.030-016-A2	M 3	16	1.75	1.2	1.5
P0272.030-020-A2	M 3	20	1.75	1.2	1.5
P0272.030-025-A2	M 3	25	1.75	1.2	1.5
P0272.030-030-A2	M 3	30	1.75	1.2	1.5
P0272.040-003-A2	M 4	3	2.25	1.5	2.0
P0272.040-004-A2	M 4	4	2.25	1.5	2.0
P0272.040-005-A2	M 4	5	2.25	1.5	2.0



# Socket Set Screws Flat Point

## Flat Point - A2 stainless

Standard Screws



Order No.	d <sub>1</sub>	l <sub>1</sub>	d <sub>2</sub>	l <sub>2</sub> min.	A/F
P0272.040-006-A2	M 4	6	2.25	1.5	2.0
P0272.040-008-A2	M 4	8	2.25	1.5	2.0
P0272.040-010-A2	M 4	10	2.25	1.5	2.0
P0272.040-012-A2	M 4	12	2.25	1.5	2.0
P0272.040-014-A2	M 4	14	2.25	1.5	2.0
P0272.040-016-A2	M 4	16	2.25	1.5	2.0
P0272.040-020-A2	M 4	20	2.25	1.5	2.0
P0272.040-025-A2	M 4	25	2.25	1.5	2.0
P0272.040-030-A2	M 4	30	2.25	1.5	2.0
P0272.040-035-A2	M 4	35	2.25	1.5	2.0
P0272.040-040-A2	M 4	40	2.25	1.5	2.0
P0272.050-005-A2	M 5	5	3.20	2.0	2.5
P0272.050-006-A2	M 5	6	3.20	2.0	2.5
P0272.050-008-A2	M 5	8	3.20	2.0	2.5
P0272.050-010-A2	M 5	10	3.20	2.0	2.5
P0272.050-012-A2	M 5	12	3.20	2.0	2.5
P0272.050-014-A2	M 5	14	3.20	2.0	2.5
P0272.050-016-A2	M 5	16	3.20	2.0	2.5
P0272.050-020-A2	M 5	20	3.20	2.0	2.5
P0272.050-025-A2	M 5	25	3.20	2.0	2.5
P0272.050-030-A2	M 5	30	3.20	2.0	2.5
P0272.050-035-A2	M 5	35	3.20	2.0	2.5
P0272.050-040-A2	M 5	40	3.20	2.0	2.5
P0272.050-050-A2	M 5	50	3.20	2.0	2.5
P0272.060-004-A2	M 6	4	3.70	2.0	3.0
P0272.060-005-A2	M 6	5	3.70	2.0	3.0
P0272.060-006-A2	M 6	6	3.70	2.0	3.0
P0272.060-008-A2	M 6	8	3.70	2.0	3.0
P0272.060-010-A2	M 6	10	3.70	2.0	3.0
P0272.060-012-A2	M 6	12	3.70	2.0	3.0
P0272.060-014-A2	M 6	14	3.70	2.0	3.0
P0272.060-016-A2	M 6	16	3.70	2.0	3.0
P0272.060-020-A2	M 6	20	3.70	2.0	3.0
P0272.060-025-A2	M 6	25	3.70	2.0	3.0
P0272.060-030-A2	M 6	30	3.70	2.0	3.0
P0272.060-035-A2	M 6	35	3.70	2.0	3.0
P0272.060-040-A2	M 6	40	3.70	2.0	3.0
P0272.060-045-A2	M 6	45	3.70	2.0	3.0
P0272.060-050-A2	M 6	50	3.70	2.0	3.0
P0272.060-055-A2	M 6	55	3.70	2.0	3.0
P0272.060-060-A2	M 6	60	3.70	2.0	3.0
P0272.060-070-A2	M 6	70	3.70	2.0	3.0
P0272.080-006-A2	M 8	6	5.20	3.0	4.0
P0272.080-008-A2	M 8	8	5.20	3.0	4.0
P0272.080-010-A2	M 8	10	5.20	3.0	4.0
P0272.080-012-A2	M 8	12	5.20	3.0	4.0
P0272.080-014-A2	M 8	14	5.20	3.0	4.0
P0272.080-016-A2	M 8	16	5.20	3.0	4.0
P0272.080-020-A2	M 8	20	5.20	3.0	4.0
P0272.080-025-A2	M 8	25	5.20	3.0	4.0
P0272.080-030-A2	M 8	30	5.20	3.0	4.0
P0272.080-035-A2	M 8	35	5.20	3.0	4.0
P0272.080-040-A2	M 8	40	5.20	3.0	4.0
P0272.080-050-A2	M 8	50	5.20	3.0	4.0
P0272.080-060-A2	M 8	60	5.20	3.0	4.0
P0272.080-070-A2	M 8	70	5.20	3.0	4.0
P0272.080-080-A2	M 8	80	5.20	3.0	4.0
P0272.100-010-A2	M10	10	6.64	4.0	5.0
P0272.100-012-A2	M10	12	6.64	4.0	5.0
P0272.100-016-A2	M10	16	6.64	4.0	5.0
P0272.100-020-A2	M10	20	6.64	4.0	5.0
P0272.100-025-A2	M10	25	6.64	4.0	5.0
P0272.100-030-A2	M10	30	6.64	4.0	5.0
P0272.100-035-A2	M10	35	6.64	4.0	5.0
P0272.100-040-A2	M10	40	6.64	4.0	5.0
P0272.100-045-A2	M10	45	6.64	4.0	5.0
P0272.100-050-A2	M10	50	6.64	4.0	5.0
P0272.100-055-A2	M10	55	6.64	4.0	5.0

STANDARD SCREWS



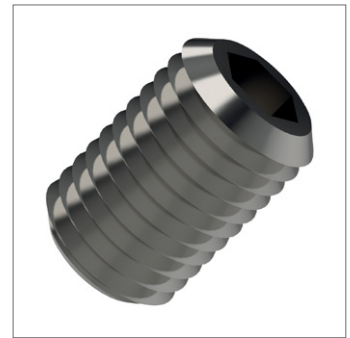
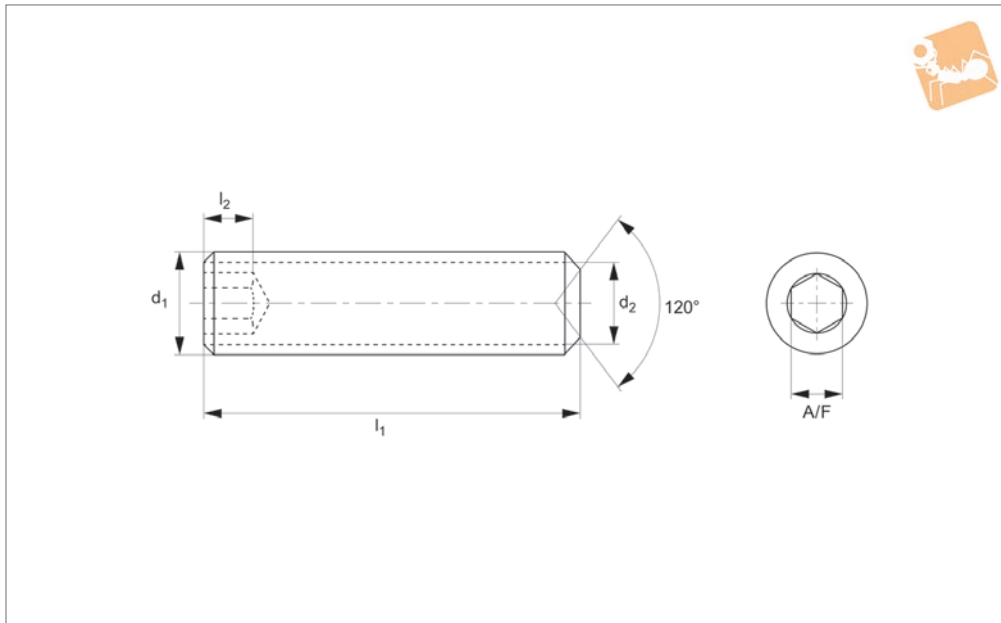
Order No.	d <sub>1</sub>	l <sub>1</sub>	d <sub>2</sub>	l <sub>2</sub> min.	A/F
P0272.100-060-A2	M10	60	6.64	4.0	5.0
P0272.100-070-A2	M10	70	6.64	4.0	5.0
P0272.100-080-A2	M10	80	6.64	4.0	5.0
P0272.100-090-A2	M10	90	6.64	4.0	5.0
P0272.120-012-A2	M12	12	8.14	4.8	6.0
P0272.120-016-A2	M12	16	8.14	4.8	6.0
P0272.120-020-A2	M12	20	8.14	4.8	6.0
P0272.120-025-A2	M12	25	8.14	4.8	6.0
P0272.120-030-A2	M12	30	8.14	4.8	6.0
P0272.120-035-A2	M12	35	8.14	4.8	6.0
P0272.120-040-A2	M12	40	8.14	4.8	6.0
P0272.120-045-A2	M12	45	8.14	4.8	6.0
P0272.120-050-A2	M12	50	8.14	4.8	6.0
P0272.120-055-A2	M12	55	8.14	4.8	6.0
P0272.120-060-A2	M12	60	8.14	4.8	6.0
P0272.120-070-A2	M12	70	8.14	4.8	6.0
P0272.120-080-A2	M12	80	8.14	4.8	6.0
P0272.120-090-A2	M12	90	8.14	4.8	6.0
P0272.120-100-A2	M12	100	8.14	4.8	5.0
P0272.160-016-A2	M16	16	11.57	6.4	8.0
P0272.160-020-A2	M16	20	11.57	6.4	8.0
P0272.160-025-A2	M16	25	11.57	6.4	8.0
P0272.160-030-A2	M16	30	11.57	6.4	8.0
P0272.160-035-A2	M16	35	11.57	6.4	8.0
P0272.160-040-A2	M16	40	11.57	6.4	8.0
P0272.160-045-A2	M16	45	11.57	6.4	8.0
P0272.160-050-A2	M16	50	11.57	6.4	8.0
P0272.160-055-A2	M16	55	11.57	6.4	8.0
P0272.160-060-A2	M16	60	11.57	6.4	8.0
P0272.160-070-A2	M16	70	11.57	6.4	8.0
P0272.160-080-A2	M16	80	11.57	6.4	8.0
P0272.160-090-A2	M16	90	11.57	6.4	8.0
P0272.160-100-A2	M16	100	11.57	6.4	8.0
P0272.200-020-A2	M20	20	14.57	8.0	10
P0272.200-025-A2	M20	25	14.57	8.0	10
P0272.200-030-A2	M20	30	14.57	8.0	10
P0272.200-035-A2	M20	35	14.57	8.0	10
P0272.200-040-A2	M20	40	14.57	8.0	10
P0272.200-045-A2	M20	45	14.57	8.0	10
P0272.200-050-A2	M20	50	14.57	8.0	10
P0272.200-055-A2	M20	55	14.57	8.0	10
P0272.200-060-A2	M20	60	14.57	8.0	10
P0272.200-070-A2	M20	70	14.57	8.0	10
P0272.200-080-A2	M20	80	14.57	8.0	10
P0272.200-090-A2	M20	90	14.57	8.0	10
P0272.200-100-A2	M20	100	14.57	8.0	10



# Socket Set Screws Flat Point

## Flat Point - A4 stainless

Standard Screws



**P0272.A4**

STANDARD SCREWS

### Material

Stainless steel (A4).

See technical page for tightening torques.

### Technical Notes

To DIN 913, flat point.

Order No.	d <sub>1</sub>	l <sub>1</sub>	d <sub>2</sub>	l <sub>2</sub> min.	A/F
P0272.020-002-A4	M 2	2	0.75	0.8	0.9
P0272.020-003-A4	M 2	3	0.75	0.8	0.9
P0272.020-004-A4	M 2	4	0.75	0.8	0.9
P0272.020-005-A4	M 2	5	0.75	0.8	0.9
P0272.020-006-A4	M 2	6	0.75	0.8	0.9
P0272.020-008-A4	M 2	8	0.75	0.8	0.9
P0272.020-010-A4	M 2	10	0.75	0.8	0.9
P0272.020-012-A4	M 2	12	0.75	0.8	0.9
P0272.020-014-A4	M 2	14	0.75	0.8	0.9
P0272.020-016-A4	M 2	16	0.75	0.8	0.9
P0272.025-003-A4	M2,5	3	1.25	1.2	1.3
P0272.025-004-A4	M2,5	4	1.25	1.2	1.3
P0272.025-005-A4	M2,5	5	1.25	1.2	1.3
P0272.025-006-A4	M2,5	6	1.25	1.2	1.3
P0272.025-008-A4	M2,5	8	1.25	1.2	1.3
P0272.025-010-A4	M2,5	10	1.25	1.2	1.3
P0272.025-012-A4	M2,5	12	1.25	1.2	1.3
P0272.025-014-A4	M2,5	14	1.25	1.2	1.3
P0272.025-016-A4	M2,5	16	1.25	1.2	1.3
P0272.030-003-A4	M 3	3	1.75	1.2	1.5
P0272.030-004-A4	M 3	4	1.75	1.2	1.5
P0272.030-005-A4	M 3	5	1.75	1.2	1.5
P0272.030-006-A4	M 3	6	1.75	1.2	1.5
P0272.030-008-A4	M 3	8	1.75	1.2	1.5
P0272.030-010-A4	M 3	10	1.75	1.2	1.5
P0272.030-012-A4	M 3	12	1.75	1.2	1.5
P0272.030-014-A4	M 3	14	1.75	1.2	1.5
P0272.030-016-A4	M 3	16	1.75	1.2	1.5
P0272.030-020-A4	M 3	20	1.75	1.2	1.5
P0272.030-025-A4	M 3	25	1.75	1.2	1.5
P0272.030-030-A4	M 3	30	1.75	1.2	1.5
P0272.040-003-A4	M 4	3	2.25	1.5	2.0
P0272.040-004-A4	M 4	4	2.25	1.5	2.0
P0272.040-005-A4	M 4	5	2.25	1.5	2.0



Order No.	d <sub>1</sub>	l <sub>1</sub>	d <sub>2</sub>	l <sub>2</sub> min.	A/F
P0272.040-006-A4	M 4	6	2.25	1.5	2.0
P0272.040-008-A4	M 4	8	2.25	1.5	2.0
P0272.040-010-A4	M 4	10	2.25	1.5	2.0
P0272.040-012-A4	M 4	12	2.25	1.5	2.0
P0272.040-014-A4	M 4	14	2.25	1.5	2.0
P0272.040-016-A4	M 4	16	2.25	1.5	2.0
P0272.040-020-A4	M 4	20	2.25	1.5	2.0
P0272.040-025-A4	M 4	25	2.25	1.5	2.0
P0272.040-030-A4	M 4	30	2.25	1.5	2.0
P0272.040-035-A4	M 4	35	2.25	1.5	2.0
P0272.040-040-A4	M 4	40	2.25	1.5	2.0
P0272.050-005-A4	M 5	5	3.20	2.0	2.5
P0272.050-006-A4	M 5	6	3.20	2.0	2.5
P0272.050-008-A4	M 5	8	3.20	2.0	2.5
P0272.050-010-A4	M 5	10	3.20	2.0	2.5
P0272.050-012-A4	M 5	12	3.20	2.0	2.5
P0272.050-014-A4	M 5	14	3.20	2.0	2.5
P0272.050-016-A4	M 5	16	3.20	2.0	2.5
P0272.050-020-A4	M 5	20	3.20	2.0	2.5
P0272.050-025-A4	M 5	25	3.20	2.0	2.5
P0272.050-030-A4	M 5	30	3.20	2.0	2.5
P0272.050-035-A4	M 5	35	3.20	2.0	2.5
P0272.050-040-A4	M 5	40	3.20	2.0	2.5
P0272.050-050-A4	M 5	50	3.20	2.0	2.5
P0272.060-004-A4	M 6	4	3.70	2.0	3.0
P0272.060-005-A4	M 6	5	3.70	2.0	3.0
P0272.060-006-A4	M 6	6	3.70	2.0	3.0
P0272.060-008-A4	M 6	8	3.70	2.0	3.0
P0272.060-010-A4	M 6	10	3.70	2.0	3.0
P0272.060-012-A4	M 6	12	3.70	2.0	3.0
P0272.060-014-A4	M 6	14	3.70	2.0	3.0
P0272.060-016-A4	M 6	16	3.70	2.0	3.0
P0272.060-020-A4	M 6	20	3.70	2.0	3.0
P0272.060-025-A4	M 6	25	3.70	2.0	3.0
P0272.060-030-A4	M 6	30	3.70	2.0	3.0
P0272.060-035-A4	M 6	35	3.70	2.0	3.0
P0272.060-040-A4	M 6	40	3.70	2.0	3.0
P0272.060-045-A4	M 6	45	3.70	2.0	3.0
P0272.060-050-A4	M 6	50	3.70	2.0	3.0
P0272.060-055-A4	M 6	55	3.70	2.0	3.0
P0272.060-060-A4	M 6	60	3.70	2.0	3.0
P0272.060-070-A4	M 6	70	3.70	2.0	3.0
P0272.080-006-A4	M 8	6	5.20	3.0	4.0
P0272.080-008-A4	M 8	8	5.20	3.0	4.0
P0272.080-010-A4	M 8	10	5.20	3.0	4.0
P0272.080-012-A4	M 8	12	5.20	3.0	4.0
P0272.080-014-A4	M 8	14	5.20	3.0	4.0
P0272.080-016-A4	M 8	16	5.20	3.0	4.0
P0272.080-020-A4	M 8	20	5.20	3.0	4.0
P0272.080-025-A4	M 8	25	5.20	3.0	4.0
P0272.080-030-A4	M 8	30	5.20	3.0	4.0
P0272.080-035-A4	M 8	35	5.20	3.0	4.0
P0272.080-040-A4	M 8	40	5.20	3.0	4.0
P0272.080-050-A4	M 8	50	5.20	3.0	4.0
P0272.080-060-A4	M 8	60	5.20	3.0	4.0
P0272.080-070-A4	M 8	70	5.20	3.0	4.0
P0272.080-080-A4	M 8	80	5.20	3.0	4.0
P0272.100-008-A4	M10	8	6.64	4.0	5.0
P0272.100-010-A4	M10	10	6.64	4.0	5.0
P0272.100-012-A4	M10	12	6.64	4.0	5.0
P0272.100-014-A4	M10	14	6.64	4.0	5.0
P0272.100-016-A4	M10	16	6.64	4.0	5.0
P0272.100-020-A4	M10	20	6.64	4.0	5.0
P0272.100-025-A4	M10	25	6.64	4.0	5.0
P0272.100-030-A4	M10	30	6.64	4.0	5.0
P0272.100-035-A4	M10	35	6.64	4.0	5.0
P0272.100-040-A4	M10	40	6.64	4.0	5.0
P0272.100-045-A4	M10	45	6.64	4.0	5.0



# Socket Set Screws Flat Point

## Flat Point - A4 stainless

Standard Screws

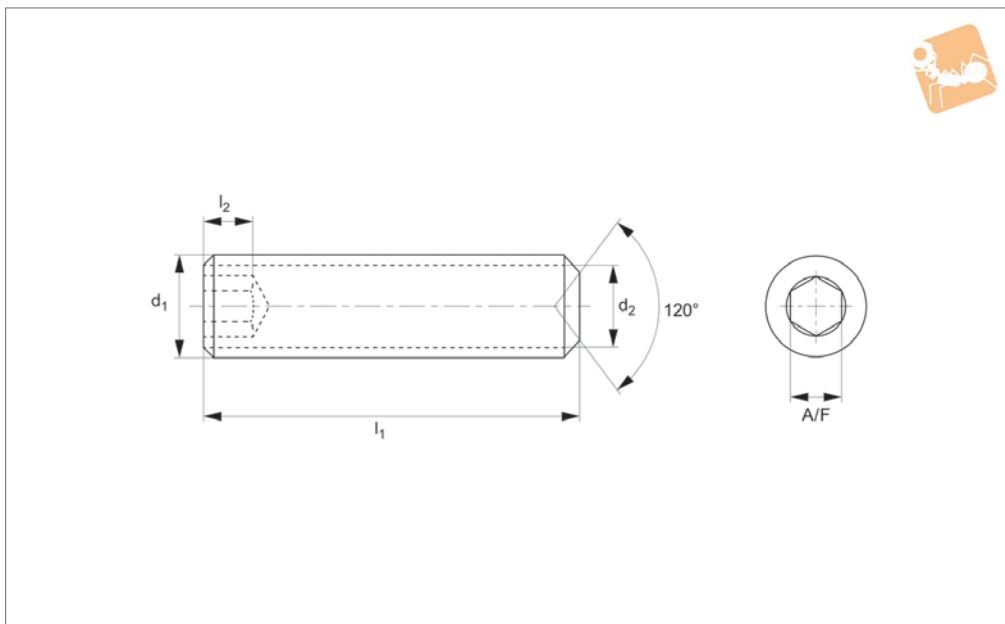


Order No.	d <sub>1</sub>	l <sub>1</sub>	d <sub>2</sub>	l <sub>2</sub> min.	A/F
P0272.100-050-A4	M10	50	6.64	4.0	5.0
P0272.100-055-A4	M10	55	6.64	4.0	5.0
P0272.100-060-A4	M10	60	6.64	4.0	5.0
P0272.100-070-A4	M10	70	6.64	4.0	5.0
P0272.100-080-A4	M10	80	6.64	4.0	5.0
P0272.100-090-A4	M10	90	6.64	4.0	5.0
P0272.100-100-A4	M10	100	6.64	4.0	5.0
P0272.120-012-A4	M12	12	8.14	4.8	6.0
P0272.120-014-A4	M12	14	8.14	4.8	6.0
P0272.120-016-A4	M12	16	8.14	4.8	6.0
P0272.120-020-A4	M12	20	8.14	4.8	6.0
P0272.120-025-A4	M12	25	8.14	4.8	6.0
P0272.120-030-A4	M12	30	8.14	4.8	6.0
P0272.120-035-A4	M12	35	8.14	4.8	6.0
P0272.120-040-A4	M12	40	8.14	4.8	6.0
P0272.120-045-A4	M12	45	8.14	4.8	6.0
P0272.120-050-A4	M12	50	8.14	4.8	6.0
P0272.120-055-A4	M12	55	8.14	4.8	6.0
P0272.120-060-A4	M12	60	8.14	4.8	6.0
P0272.120-070-A4	M12	70	8.14	4.8	6.0
P0272.120-080-A4	M12	80	8.14	4.8	6.0
P0272.120-090-A4	M12	90	8.14	4.8	6.0
P0272.120-100-A4	M12	100	8.14	4.8	6.0
P0272.160-016-A4	M16	16	11.57	6.4	8.0
P0272.160-020-A4	M16	20	11.57	6.4	8.0
P0272.160-025-A4	M16	25	11.57	6.4	8.0
P0272.160-030-A4	M16	30	11.57	6.4	8.0
P0272.160-035-A4	M16	35	11.57	6.4	8.0
P0272.160-040-A4	M16	40	11.57	6.4	8.0
P0272.160-045-A4	M16	45	11.57	6.4	8.0
P0272.160-050-A4	M16	50	11.57	6.4	8.0
P0272.160-055-A4	M16	55	11.57	6.4	8.0
P0272.160-060-A4	M16	60	11.57	6.4	8.0
P0272.160-070-A4	M16	70	11.57	6.4	8.0
P0272.160-080-A4	M16	80	11.57	6.4	8.0
P0272.160-090-A4	M16	90	11.57	6.4	8.0
P0272.160-100-A4	M16	100	11.57	6.4	8.0
P0272.200-020-A4	M20	20	14.57	8.0	10
P0272.200-025-A4	M20	25	14.57	8.0	10
P0272.200-030-A4	M20	30	14.57	8.0	10
P0272.200-035-A4	M20	35	14.57	8.0	10
P0272.200-040-A4	M20	40	14.57	8.0	10
P0272.200-045-A4	M20	45	14.57	8.0	10
P0272.200-050-A4	M20	50	14.57	8.0	10
P0272.200-055-A4	M20	55	14.57	8.0	10
P0272.200-060-A4	M20	60	14.57	8.0	10
P0272.200-070-A4	M20	70	14.57	8.0	10
P0272.200-080-A4	M20	80	14.57	8.0	10
P0272.200-090-A4	M20	90	14.57	8.0	10
P0272.200-100-A4	M20	100	14.57	8.0	10

STANDARD SCREWS



**P0272.ZP**



**Material**

Steel, zinc-plated (class 45H).

**Technical Notes**

To DIN 913, flat point.

Order No.	d <sub>1</sub>	l <sub>1</sub>	d <sub>2</sub>	l <sub>2</sub> min.	A/F
P0272.020-002-ZP	M 2	2	0.75	0.8	0.9
P0272.020-003-ZP	M 2	3	0.75	0.8	0.9
P0272.020-004-ZP	M 2	4	0.75	0.8	0.9
P0272.020-005-ZP	M 2	5	0.75	0.8	0.9
P0272.020-006-ZP	M 2	6	0.75	0.8	0.9
P0272.020-008-ZP	M 2	8	0.75	0.8	0.9
P0272.020-010-ZP	M 2	10	0.75	0.8	0.9
P0272.020-012-ZP	M 2	12	0.75	0.8	0.9
P0272.020-014-ZP	M 2	14	0.75	0.8	0.9
P0272.020-016-ZP	M 2	16	0.75	0.8	0.9
P0272.025-003-ZP	M2,5	3	1.25	1.2	1.3
P0272.025-004-ZP	M2,5	4	1.25	1.2	1.3
P0272.025-005-ZP	M2,5	5	1.25	1.2	1.3
P0272.025-006-ZP	M2,5	6	1.25	1.2	1.3
P0272.025-008-ZP	M2,5	8	1.25	1.2	1.3
P0272.025-010-ZP	M2,5	10	1.25	1.2	1.3
P0272.025-012-ZP	M2,5	12	1.25	1.2	1.3
P0272.025-014-ZP	M2,5	14	1.25	1.2	1.3
P0272.025-016-ZP	M2,5	16	1.25	1.2	1.3
P0272.030-003-ZP	M 3	3	1.75	1.2	1.5
P0272.030-004-ZP	M 3	4	1.75	1.2	1.5
P0272.030-005-ZP	M 3	5	1.75	1.2	1.5
P0272.030-006-ZP	M 3	6	1.75	1.2	1.5
P0272.030-008-ZP	M 3	8	1.75	1.2	1.5
P0272.030-010-ZP	M 3	10	1.75	1.2	1.5
P0272.030-012-ZP	M 3	12	1.75	1.2	1.5
P0272.030-014-ZP	M 3	14	1.75	1.2	1.5
P0272.030-016-ZP	M 3	16	1.75	1.2	1.5
P0272.030-020-ZP	M 3	20	1.75	1.2	1.5
P0272.030-025-ZP	M 3	25	1.75	1.2	1.5
P0272.030-030-ZP	M 3	30	1.75	1.2	1.5
P0272.040-003-ZP	M 4	3	2.25	1.5	2.0
P0272.040-004-ZP	M 4	4	2.25	1.5	2.0
P0272.040-005-ZP	M 4	5	2.25	1.5	2.0





# Socket Set Screws Flat Point

Flat Point - steel, zinc-plated

Standard Screws



Order No.	d <sub>1</sub>	l <sub>1</sub>	d <sub>2</sub>	l <sub>2</sub> min.	A/F
P0272.040-006-ZP	M 4	6	2.25	1.5	2.0
P0272.040-008-ZP	M 4	8	2.25	1.5	2.0
P0272.040-010-ZP	M 4	10	2.25	1.5	2.0
P0272.040-012-ZP	M 4	12	2.25	1.5	2.0
P0272.040-014-ZP	M 4	14	2.25	1.5	2.0
P0272.040-016-ZP	M 4	16	2.25	1.5	2.0
P0272.040-020-ZP	M 4	20	2.25	1.5	2.0
P0272.040-025-ZP	M 4	25	2.25	1.5	2.0
P0272.040-030-ZP	M 4	30	2.25	1.5	2.0
P0272.040-035-ZP	M 4	35	2.25	1.5	2.0
P0272.040-040-ZP	M 4	40	2.25	1.5	2.0
P0272.050-005-ZP	M 5	5	3.20	2.0	2.5
P0272.050-006-ZP	M 5	6	3.20	2.0	2.5
P0272.050-008-ZP	M 5	8	3.20	2.0	2.5
P0272.050-010-ZP	M 5	10	3.20	2.0	2.5
P0272.050-012-ZP	M 5	12	3.20	2.0	2.5
P0272.050-014-ZP	M 5	14	3.20	2.0	2.5
P0272.050-016-ZP	M 5	16	3.20	2.0	2.5
P0272.050-020-ZP	M 5	20	3.20	2.0	2.5
P0272.050-025-ZP	M 5	25	3.20	2.0	2.5
P0272.050-030-ZP	M 5	30	3.20	2.0	2.5
P0272.050-035-ZP	M 5	35	3.20	2.0	2.5
P0272.050-040-ZP	M 5	40	3.20	2.0	2.5
P0272.050-050-ZP	M 5	50	3.20	2.0	2.5
P0272.060-004-ZP	M 6	4	3.70	2.0	3.0
P0272.060-005-ZP	M 6	5	3.70	2.0	3.0
P0272.060-006-ZP	M 6	6	3.70	2.0	3.0
P0272.060-008-ZP	M 6	8	3.70	2.0	3.0
P0272.060-010-ZP	M 6	10	3.70	2.0	3.0
P0272.060-012-ZP	M 6	12	3.70	2.0	3.0
P0272.060-014-ZP	M 6	14	3.70	2.0	3.0
P0272.060-016-ZP	M 6	16	3.70	2.0	3.0
P0272.060-020-ZP	M 6	20	3.70	2.0	3.0
P0272.060-025-ZP	M 6	25	3.70	2.0	3.0
P0272.060-030-ZP	M 6	30	3.70	2.0	3.0
P0272.060-035-ZP	M 6	35	3.70	2.0	3.0
P0272.060-040-ZP	M 6	40	3.70	2.0	3.0
P0272.060-045-ZP	M 6	45	3.70	2.0	3.0
P0272.060-050-ZP	M 6	50	3.70	2.0	3.0
P0272.060-055-ZP	M 6	55	3.70	2.0	3.0
P0272.060-060-ZP	M 6	60	3.70	2.0	3.0
P0272.060-070-ZP	M 6	70	3.70	2.0	3.0
P0272.080-006-ZP	M 8	6	5.20	3.0	4.0
P0272.080-008-ZP	M 8	8	5.20	3.0	4.0
P0272.080-010-ZP	M 8	10	5.20	3.0	4.0
P0272.080-012-ZP	M 8	12	5.20	3.0	4.0
P0272.080-014-ZP	M 8	14	5.20	3.0	4.0
P0272.080-016-ZP	M 8	16	5.20	3.0	4.0
P0272.080-020-ZP	M 8	20	5.20	3.0	4.0
P0272.080-025-ZP	M 8	25	5.20	3.0	4.0
P0272.080-030-ZP	M 8	30	5.20	3.0	4.0
P0272.080-035-ZP	M 8	35	5.20	3.0	4.0
P0272.080-040-ZP	M 8	40	5.20	3.0	4.0
P0272.080-050-ZP	M 8	50	5.20	3.0	4.0
P0272.080-060-ZP	M 8	60	5.20	3.0	4.0
P0272.080-070-ZP	M 8	70	5.20	3.0	4.0
P0272.080-080-ZP	M 8	80	5.20	3.0	4.0
P0272.100-008-ZP	M10	8	6.64	4.0	5.0
P0272.100-010-ZP	M10	10	6.64	4.0	5.0
P0272.100-012-ZP	M10	12	6.64	4.0	5.0
P0272.100-014-ZP	M10	14	6.64	4.0	5.0
P0272.100-016-ZP	M10	16	6.64	4.0	5.0
P0272.100-020-ZP	M10	20	6.64	4.0	5.0
P0272.100-025-ZP	M10	25	6.64	4.0	5.0
P0272.100-030-ZP	M10	30	6.64	4.0	5.0
P0272.100-035-ZP	M10	35	6.64	4.0	5.0
P0272.100-040-ZP	M10	40	6.64	4.0	5.0
P0272.100-045-ZP	M10	45	6.64	4.0	5.0

STANDARD SCREWS



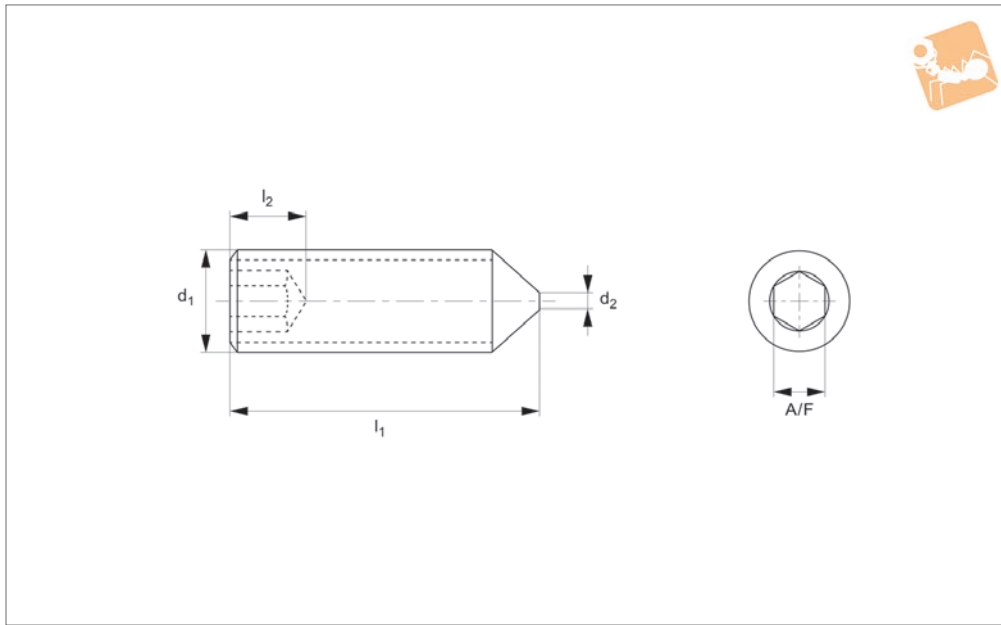
Order No.	d <sub>1</sub>	l <sub>1</sub>	d <sub>2</sub>	l <sub>2</sub> min.	A/F
P0272.100-050-ZP	M10	50	6.64	4.0	5.0
P0272.100-055-ZP	M10	55	6.64	4.0	5.0
P0272.100-060-ZP	M10	60	6.64	4.0	5.0
P0272.100-070-ZP	M10	70	6.64	4.0	5.0
P0272.100-080-ZP	M10	80	6.64	4.0	5.0
P0272.100-090-ZP	M10	90	6.64	4.0	5.0
P0272.100-100-ZP	M10	100	6.64	4.0	5.0
P0272.120-012-ZP	M12	12	8.14	4.8	6.0
P0272.120-014-ZP	M12	14	8.14	4.8	6.0
P0272.120-016-ZP	M12	16	8.14	4.8	6.0
P0272.120-020-ZP	M12	20	8.14	4.8	6.0
P0272.120-025-ZP	M12	25	8.14	4.8	6.0
P0272.120-030-ZP	M12	30	8.14	4.8	6.0
P0272.120-035-ZP	M12	35	8.14	4.8	6.0
P0272.120-040-ZP	M12	40	8.14	4.8	6.0
P0272.120-045-ZP	M12	45	8.14	4.8	6.0
P0272.120-050-ZP	M12	50	8.14	4.8	6.0
P0272.120-055-ZP	M12	55	8.14	4.8	6.0
P0272.120-060-ZP	M12	60	8.14	4.8	6.0
P0272.120-070-ZP	M12	70	8.14	4.8	6.0
P0272.120-080-ZP	M12	80	8.14	4.8	6.0
P0272.120-090-ZP	M12	90	8.14	4.8	6.0
P0272.120-100-ZP	M12	100	8.14	4.8	6.0
P0272.160-016-ZP	M16	16	11.57	6.4	8.0
P0272.160-020-ZP	M16	20	11.57	6.4	8.0
P0272.160-025-ZP	M16	25	11.57	6.4	8.0
P0272.160-030-ZP	M16	30	11.57	6.4	8.0
P0272.160-035-ZP	M16	35	11.57	6.4	8.0
P0272.160-040-ZP	M16	40	11.57	6.4	8.0
P0272.160-045-ZP	M16	45	11.57	6.4	8.0
P0272.160-050-ZP	M16	50	11.57	6.4	8.0
P0272.160-055-ZP	M16	55	11.57	6.4	8.0
P0272.160-060-ZP	M16	60	11.57	6.4	8.0
P0272.160-070-ZP	M16	70	11.57	6.4	8.0
P0272.160-080-ZP	M16	80	11.57	6.4	8.0
P0272.160-090-ZP	M16	90	11.57	6.4	8.0
P0272.160-100-ZP	M16	100	11.57	6.4	8.0
P0272.200-020-ZP	M20	20	14.57	8.0	10
P0272.200-025-ZP	M20	25	14.57	8.0	10
P0272.200-030-ZP	M20	30	14.57	8.0	10
P0272.200-035-ZP	M20	35	14.57	8.0	10
P0272.200-040-ZP	M20	40	14.57	8.0	10
P0272.200-045-ZP	M20	45	14.57	8.0	10
P0272.200-050-ZP	M20	50	14.57	8.0	10
P0272.200-055-ZP	M20	55	14.57	8.0	10
P0272.200-060-ZP	M20	60	14.57	8.0	10
P0272.200-070-ZP	M20	70	14.57	8.0	10
P0272.200-080-ZP	M20	80	14.57	8.0	10
P0272.200-090-ZP	M20	90	14.57	8.0	10
P0272.200-100-ZP	M20	100	14.57	8.0	10



# Socket Set Screws Cone Point

Cone Point - A2 stainless

Standard Screws



**P0273.A2**

STANDARD SCREWS

### Material

Stainless steel (A2).

See technical page for tightening torques.

### Technical Notes

To DIN 914, cone point.

Order No.	d <sub>1</sub>	l <sub>1</sub>	d <sub>2</sub>	l <sub>2</sub> min.	A/F
P0273.020-002-A2	M 2	2	-	0.8	0.9
P0273.020-003-A2	M 2	3	-	0.8	0.9
P0273.020-004-A2	M 2	4	-	0.8	0.9
P0273.020-005-A2	M 2	5	-	0.8	0.9
P0273.020-006-A2	M 2	6	-	0.8	0.9
P0273.020-008-A2	M 2	8	-	0.8	0.9
P0273.020-010-A2	M 2	10	-	0.8	0.9
P0273.020-012-A2	M 2	12	-	0.8	0.9
P0273.020-014-A2	M 2	14	-	0.8	0.9
P0273.020-016-A2	M 2	16	-	0.8	0.9
P0273.025-003-A2	M2,5	3	-	1.2	1.3
P0273.025-004-A2	M2,5	4	-	1.2	1.3
P0273.025-005-A2	M2,5	5	-	1.2	1.3
P0273.025-006-A2	M2,5	6	-	1.2	1.3
P0273.025-008-A2	M2,5	8	-	1.2	1.3
P0273.025-010-A2	M2,5	10	-	1.2	1.3
P0273.025-012-A2	M2,5	12	-	1.2	1.3
P0273.025-014-A2	M2,5	12	-	1.2	1.3
P0273.025-016-A2	M2,5	16	-	1.2	1.3
P0273.030-003-A2	M 3	3	-	1.2	1.5
P0273.030-004-A2	M 3	4	-	1.2	1.5
P0273.030-005-A2	M 3	5	-	1.2	1.5
P0273.030-006-A2	M 3	6	-	1.2	1.5
P0273.030-008-A2	M 3	8	-	1.2	1.5
P0273.030-010-A2	M 3	10	-	1.2	1.5
P0273.030-012-A2	M 3	12	-	1.2	1.5
P0273.030-014-A2	M 3	14	-	1.2	1.5
P0273.030-016-A2	M 3	16	-	1.2	1.5
P0273.030-020-A2	M 3	20	-	1.2	1.5
P0273.030-025-A2	M 3	25	-	1.2	1.5
P0273.030-030-A2	M 3	30	-	1.2	1.5
P0273.040-003-A2	M 4	3	-	1.5	2.0
P0273.040-004-A2	M 4	4	-	1.5	2.0
P0273.040-005-A2	M 4	5	-	1.5	2.0



Order No.	d <sub>1</sub>	l <sub>1</sub>	d <sub>2</sub>	l <sub>2</sub> min.	A/F
P0273.040-006-A2	M 4	6	-	1.5	2.0
P0273.040-008-A2	M 4	8	-	1.5	2.0
P0273.040-010-A2	M 4	10	-	1.5	2.0
P0273.040-012-A2	M 4	12	-	1.5	2.0
P0273.040-014-A2	M 4	14	-	1.5	2.0
P0273.040-016-A2	M 4	16	-	1.5	2.0
P0273.040-020-A2	M 4	20	-	1.5	2.0
P0273.040-025-A2	M 4	25	-	1.5	2.0
P0273.040-030-A2	M 4	30	-	1.5	2.0
P0273.040-035-A2	M 4	35	-	1.5	2.0
P0273.040-040-A2	M 4	40	-	1.5	2.0
P0273.050-005-A2	M 5	5	-	2.0	2.5
P0273.050-006-A2	M 5	6	-	2.0	2.5
P0273.050-008-A2	M 5	8	-	2.0	2.5
P0273.050-010-A2	M 5	10	-	2.0	2.5
P0273.050-012-A2	M 5	12	-	2.0	2.5
P0273.050-014-A2	M 5	14	-	2.0	2.5
P0273.050-016-A2	M 5	16	-	2.0	2.5
P0273.050-020-A2	M 5	20	-	2.0	2.5
P0273.050-025-A2	M 5	25	-	2.0	2.5
P0273.050-030-A2	M 5	30	-	2.0	2.5
P0273.050-035-A2	M 5	35	-	2.0	2.5
P0273.050-040-A2	M 5	40	-	2.0	2.5
P0273.050-050-A2	M 5	50	-	2.0	2.5
P0273.060-004-A2	M 6	4	1.5	2.0	3.0
P0273.060-005-A2	M 6	5	1.5	2.0	3.0
P0273.060-006-A2	M 6	6	1.5	2.0	3.0
P0273.060-008-A2	M 6	8	1.5	2.0	3.0
P0273.060-010-A2	M 6	10	1.5	2.0	3.0
P0273.060-012-A2	M 6	12	1.5	2.0	3.0
P0273.060-014-A2	M 6	14	1.5	2.0	3.0
P0273.060-016-A2	M 6	16	1.5	2.0	3.0
P0273.060-018-A2	M 6	18	1.5	2.0	3.0
P0273.060-020-A2	M 6	20	1.5	2.0	3.0
P0273.060-025-A2	M 6	25	1.5	2.0	3.0
P0273.060-030-A2	M 6	30	1.5	2.0	3.0
P0273.060-035-A2	M 6	35	1.5	2.0	3.0
P0273.060-040-A2	M 6	40	1.5	2.0	3.0
P0273.060-045-A2	M 6	45	1.5	2.0	3.0
P0273.060-050-A2	M 6	50	1.5	2.0	3.0
P0273.080-006-A2	M 8	6	2.0	3.0	4.0
P0273.080-008-A2	M 8	8	2.0	3.0	4.0
P0273.080-010-A2	M 8	10	2.0	3.0	4.0
P0273.080-012-A2	M 8	12	2.0	3.0	4.0
P0273.080-014-A2	M 8	14	2.0	3.0	4.0
P0273.080-016-A2	M 8	16	2.0	3.0	4.0
P0273.080-018-A2	M 8	18	2.0	3.0	4.0
P0273.080-020-A2	M 8	20	2.0	3.0	4.0
P0273.080-025-A2	M 8	25	2.0	3.0	4.0
P0273.080-030-A2	M 8	30	2.0	3.0	4.0
P0273.080-035-A2	M 8	35	2.0	3.0	4.0
P0273.080-040-A2	M 8	40	2.0	3.0	4.0
P0273.080-050-A2	M 8	50	2.0	3.0	4.0
P0273.080-060-A2	M 8	60	2.0	3.0	4.0
P0273.100-010-A2	M10	10	2.5	4.0	5.0
P0273.100-012-A2	M10	12	2.5	4.0	5.0
P0273.100-016-A2	M10	16	2.5	4.0	5.0
P0273.100-020-A2	M10	20	2.5	4.0	5.0
P0273.100-025-A2	M10	25	2.5	4.0	5.0
P0273.100-030-A2	M10	30	2.5	4.0	5.0
P0273.100-035-A2	M10	35	2.5	4.0	5.0
P0273.100-040-A2	M10	40	2.5	4.0	5.0
P0273.100-045-A2	M10	45	2.5	4.0	5.0
P0273.100-050-A2	M10	50	2.5	4.0	5.0
P0273.100-055-A2	M10	55	2.5	4.0	5.0
P0273.100-060-A2	M10	60	2.5	4.0	5.0
P0273.100-070-A2	M10	70	2.5	4.0	5.0
P0273.100-080-A2	M10	80	2.5	4.0	5.0



# Socket Set Screws Cone Point

## Cone Point - A2 stainless

Standard Screws



Order No.	d <sub>1</sub>	l <sub>1</sub>	d <sub>2</sub>	l <sub>2</sub> min.	A/F
P0273.120-012-A2	M12	12	3.0	4.8	5.0
P0273.120-016-A2	M12	16	3.0	4.8	5.0
P0273.120-020-A2	M12	20	3.0	4.8	5.0
P0273.120-025-A2	M12	25	3.0	4.8	5.0
P0273.120-030-A2	M12	30	3.0	4.8	5.0
P0273.120-035-A2	M12	35	3.0	4.8	5.0
P0273.120-040-A2	M12	40	3.0	4.8	5.0
P0273.120-045-A2	M12	45	3.0	4.8	5.0
P0273.120-050-A2	M12	50	3.0	4.8	5.0
P0273.120-055-A2	M12	55	3.0	4.8	5.0
P0273.120-060-A2	M12	60	3.0	4.8	5.0
P0273.120-070-A2	M12	70	3.0	4.8	5.0
P0273.120-080-A2	M12	80	3.0	4.8	5.0
P0273.120-090-A2	M12	90	3.0	4.8	5.0
P0273.160-016-A2	M16	16	4.0	6.4	8.0
P0273.160-020-A2	M16	20	4.0	6.4	8.0
P0273.160-025-A2	M16	25	4.0	6.4	8.0
P0273.160-030-A2	M16	30	4.0	6.4	8.0
P0273.160-035-A2	M16	35	4.0	6.4	8.0
P0273.160-040-A2	M16	40	4.0	6.4	8.0
P0273.160-045-A2	M16	45	4.0	6.4	8.0
P0273.160-050-A2	M16	50	4.0	6.4	8.0
P0273.160-055-A2	M16	55	4.0	6.4	8.0
P0273.160-060-A2	M16	60	4.0	6.4	8.0
P0273.160-070-A2	M16	70	4.0	6.4	8.0
P0273.160-080-A2	M16	80	4.0	6.4	8.0
P0273.160-090-A2	M16	90	4.0	6.4	8.0
P0273.160-100-A2	M16	100	4.0	6.4	8.0
P0273.200-020-A2	M20	20	5.0	8.0	10.0
P0273.200-025-A2	M20	25	5.0	8.0	10.0
P0273.200-030-A2	M20	30	5.0	8.0	10.0
P0273.200-035-A2	M20	35	5.0	8.0	10.0
P0273.200-040-A2	M20	40	5.0	8.0	10.0
P0273.200-045-A2	M20	45	5.0	8.0	10.0
P0273.200-050-A2	M20	50	5.0	8.0	10.0
P0273.200-055-A2	M20	55	5.0	8.0	10.0
P0273.200-060-A2	M20	60	5.0	8.0	10.0
P0273.200-070-A2	M20	70	5.0	8.0	10.0
P0273.200-080-A2	M20	80	5.0	8.0	10.0
P0273.200-090-A2	M20	90	5.0	8.0	10.0
P0273.200-100-A2	M20	100	5.0	8.0	10.0

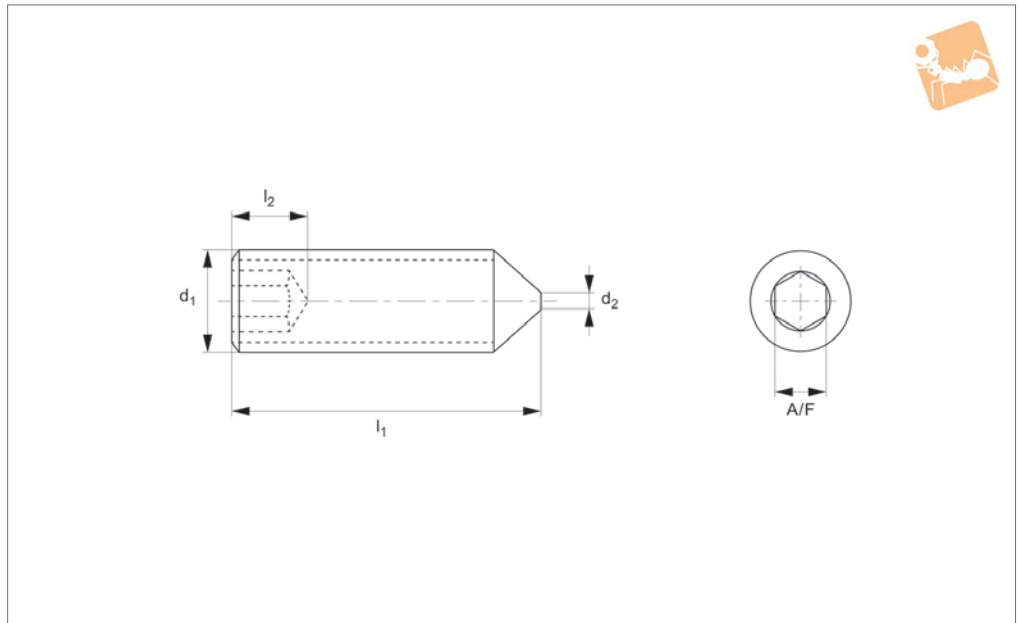
STANDARD SCREWS



STANDARD SCREWS



**P0273.A4**



**Material**

Stainless steel (A4).

See technical page for tightening torques.

**Technical Notes**

To DIN 914, cone point.

Order No.	d <sub>1</sub>	l <sub>1</sub>	d <sub>2</sub>	l <sub>2</sub> min.	A/F
P0273.020-002-A4	M 2	2	-	0.8	0.9
P0273.020-003-A4	M 2	3	-	0.8	0.9
P0273.020-004-A4	M 2	4	-	0.8	0.9
P0273.020-005-A4	M 2	5	-	0.8	0.9
P0273.020-006-A4	M 2	6	-	0.8	0.9
P0273.020-008-A4	M 2	8	-	0.8	0.9
P0273.020-010-A4	M 2	10	-	0.8	0.9
P0273.020-012-A4	M 2	12	-	0.8	0.9
P0273.020-014-A4	M 2	14	-	0.8	0.9
P0273.020-016-A4	M 2	16	-	0.8	0.9
P0273.025-003-A4	M2,5	3	-	1.2	1.3
P0273.025-004-A4	M2,5	4	-	1.2	1.3
P0273.025-005-A4	M2,5	5	-	1.2	1.3
P0273.025-006-A4	M2,5	6	-	1.2	1.3
P0273.025-008-A4	M2,5	8	-	1.2	1.3
P0273.025-010-A4	M2,5	10	-	1.2	1.3
P0273.025-012-A4	M2,5	12	-	1.2	1.3
P0273.025-014-A4	M2,5	14	-	1.2	1.3
P0273.025-016-A4	M2,5	16	-	1.2	1.3
P0273.030-003-A4	M 3	3	-	1.2	1.5
P0273.030-004-A4	M 3	4	-	1.2	1.5
P0273.030-005-A4	M 3	5	-	1.2	1.5
P0273.030-006-A4	M 3	6	-	1.2	1.5
P0273.030-008-A4	M 3	8	-	1.2	1.5
P0273.030-010-A4	M 3	10	-	1.2	1.5
P0273.030-012-A4	M 3	12	-	1.2	1.5
P0273.030-014-A4	M 3	14	-	1.2	1.5
P0273.030-016-A4	M 3	16	-	1.2	1.5
P0273.030-020-A4	M 3	20	-	1.2	1.5
P0273.030-025-A4	M 3	25	-	1.2	1.5
P0273.030-030-A4	M 3	30	-	1.2	1.5
P0273.040-003-A4	M 4	3	-	1.5	2.0
P0273.040-004-A4	M 4	4	-	1.5	2.0
P0273.040-005-A4	M 4	5	-	1.5	2.0



# Socket Set Screws Cone Point

## Cone Point - A4 stainless

Standard Screws



Order No.	d <sub>1</sub>	l <sub>1</sub>	d <sub>2</sub>	l <sub>2</sub> min.	A/F
P0273.040-006-A4	M 4	6	-	1.5	2.0
P0273.040-008-A4	M 4	8	-	1.5	2.0
P0273.040-010-A4	M 4	10	-	1.5	2.0
P0273.040-012-A4	M 4	12	-	1.5	2.0
P0273.040-014-A4	M 4	14	-	1.5	2.0
P0273.040-016-A4	M 4	16	-	1.5	2.0
P0273.040-020-A4	M 4	20	-	1.5	2.0
P0273.040-025-A4	M 4	25	-	1.5	2.0
P0273.040-030-A4	M 4	30	-	1.5	2.0
P0273.040-035-A4	M 4	35	-	1.5	2.0
P0273.040-040-A4	M 4	40	-	1.5	2.0
P0273.050-005-A4	M 5	5	-	2.0	2.5
P0273.050-006-A4	M 5	6	-	2.0	2.5
P0273.050-008-A4	M 5	8	-	2.0	2.5
P0273.050-010-A4	M 5	10	-	2.0	2.5
P0273.050-012-A4	M 5	12	-	2.0	2.5
P0273.050-014-A4	M 5	14	-	2.0	2.5
P0273.050-016-A4	M 5	16	-	2.0	2.5
P0273.050-020-A4	M 5	20	-	2.0	2.5
P0273.050-025-A4	M 5	25	-	2.0	2.5
P0273.050-030-A4	M 5	30	-	2.0	2.5
P0273.050-035-A4	M 5	35	-	2.0	2.5
P0273.050-040-A4	M 5	40	-	2.0	2.5
P0273.050-050-A4	M 5	50	-	2.0	2.5
P0273.060-004-A4	M 6	4	1.5	2.0	3.0
P0273.060-005-A4	M 6	5	1.5	2.0	3.0
P0273.060-006-A4	M 6	6	1.5	2.0	3.0
P0273.060-008-A4	M 6	8	1.5	2.0	3.0
P0273.060-010-A4	M 6	10	1.5	2.0	3.0
P0273.060-012-A4	M 6	12	1.5	2.0	3.0
P0273.060-014-A4	M 6	14	1.5	2.0	3.0
P0273.060-016-A4	M 6	16	1.5	2.0	3.0
P0273.060-018-A4	M 6	18	1.5	2.0	3.0
P0273.060-020-A4	M 6	20	1.5	2.0	3.0
P0273.060-025-A4	M 6	25	1.5	2.0	3.0
P0273.060-030-A4	M 6	30	1.5	2.0	3.0
P0273.060-035-A4	M 6	35	1.5	2.0	3.0
P0273.060-040-A4	M 6	40	1.5	2.0	3.0
P0273.060-045-A4	M 6	45	1.5	2.0	3.0
P0273.060-050-A4	M 6	50	1.5	2.0	3.0
P0273.080-006-A4	M 8	6	2.0	3.0	4.0
P0273.080-008-A4	M 8	8	2.0	3.0	4.0
P0273.080-010-A4	M 8	10	2.0	3.0	4.0
P0273.080-012-A4	M 8	12	2.0	3.0	4.0
P0273.080-014-A4	M 8	14	2.0	3.0	4.0
P0273.080-016-A4	M 8	16	2.0	3.0	4.0
P0273.080-018-A4	M 8	18	2.0	3.0	4.0
P0273.080-020-A4	M 8	20	2.0	3.0	4.0
P0273.080-025-A4	M 8	25	2.0	3.0	4.0
P0273.080-030-A4	M 8	30	2.0	3.0	4.0
P0273.080-035-A4	M 8	35	2.0	3.0	4.0
P0273.080-040-A4	M 8	40	2.0	3.0	4.0
P0273.080-050-A4	M 8	50	2.0	3.0	4.0
P0273.080-060-A4	M 8	60	2.0	3.0	4.0
P0273.100-010-A4	M10	10	2.5	4.0	5.0
P0273.100-012-A4	M10	12	2.5	4.0	5.0
P0273.100-016-A4	M10	16	2.5	4.0	5.0
P0273.100-020-A4	M10	20	2.5	4.0	5.0
P0273.100-025-A4	M10	25	2.5	4.0	5.0
P0273.100-030-A4	M10	30	2.5	4.0	5.0
P0273.100-035-A4	M10	35	2.5	4.0	5.0
P0273.100-040-A4	M10	40	2.5	4.0	5.0
P0273.100-045-A4	M10	45	2.5	4.0	5.0
P0273.100-050-A4	M10	50	2.5	4.0	5.0
P0273.100-055-A4	M10	55	2.5	4.0	5.0
P0273.100-060-A4	M10	60	2.5	4.0	5.0
P0273.100-070-A4	M10	70	2.5	4.0	5.0
P0273.100-080-A4	M10	80	2.5	4.0	5.0

STANDARD SCREWS



STANDARD SCREWS

Order No.	d <sub>1</sub>	l <sub>1</sub>	d <sub>2</sub>	l <sub>2</sub> min.	A/F
P0273.120-012-A4	M12	12	3.0	4.8	5.0
P0273.120-016-A4	M12	16	3.0	4.8	5.0
P0273.120-020-A4	M12	20	3.0	4.8	5.0
P0273.120-025-A4	M12	25	3.0	4.8	5.0
P0273.120-030-A4	M12	30	3.0	4.8	5.0
P0273.120-035-A4	M12	35	3.0	4.8	5.0
P0273.120-040-A4	M12	40	3.0	4.8	5.0
P0273.120-045-A4	M12	45	3.0	4.8	5.0
P0273.120-050-A4	M12	50	3.0	4.8	5.0
P0273.120-055-A4	M12	55	3.0	4.8	5.0
P0273.120-060-A4	M12	60	3.0	4.8	5.0
P0273.120-070-A4	M12	70	3.0	4.8	5.0
P0273.120-080-A4	M12	80	3.0	4.8	5.0
P0273.120-090-A4	M12	90	3.0	4.8	5.0
P0273.160-016-A4	M16	16	4.0	6.4	8.0
P0273.160-020-A4	M16	20	4.0	6.4	8.0
P0273.160-025-A4	M16	25	4.0	6.4	8.0
P0273.160-030-A4	M16	30	4.0	6.4	8.0
P0273.160-035-A4	M16	35	4.0	6.4	8.0
P0273.160-040-A4	M16	40	4.0	6.4	8.0
P0273.160-045-A4	M16	45	4.0	6.4	8.0
P0273.160-050-A4	M16	50	4.0	6.4	8.0
P0273.160-055-A4	M16	55	4.0	6.4	8.0
P0273.160-060-A4	M16	60	4.0	6.4	8.0
P0273.160-070-A4	M16	70	4.0	6.4	8.0
P0273.160-080-A4	M16	80	4.0	6.4	8.0
P0273.160-090-A4	M16	90	4.0	6.4	8.0
P0273.160-100-A4	M16	100	4.0	6.4	8.0
P0273.200-020-A4	M20	20	5.0	8.0	10.0
P0273.200-025-A4	M20	25	5.0	8.0	10.0
P0273.200-030-A4	M20	30	5.0	8.0	10.0
P0273.200-035-A4	M20	35	5.0	8.0	10.0
P0273.200-040-A4	M20	40	5.0	8.0	10.0
P0273.200-045-A4	M20	45	5.0	8.0	10.0
P0273.200-050-A4	M20	50	5.0	8.0	10.0
P0273.200-055-A4	M20	55	5.0	8.0	10.0
P0273.200-060-A4	M20	60	5.0	8.0	10.0
P0273.200-070-A4	M20	70	5.0	8.0	10.0
P0273.200-080-A4	M20	80	5.0	8.0	10.0
P0273.200-090-A4	M20	90	5.0	8.0	10.0
P0273.200-100-A4	M20	100	5.0	8.0	10.0

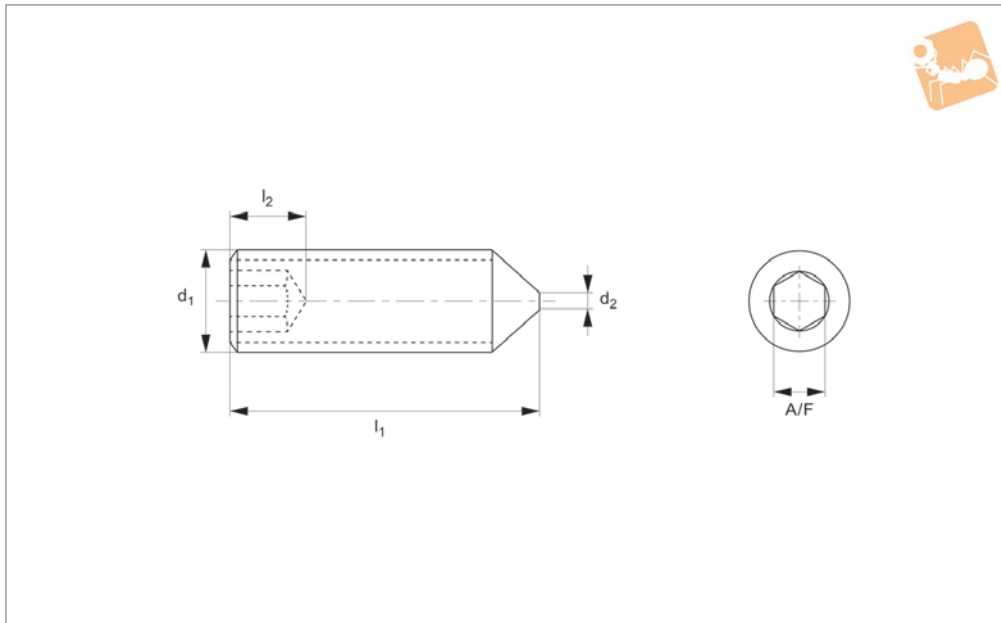




# Socket Set Screws Cone Point

Cone Point - steel, zinc-plated

Standard Screws



**P0273.ZP**

STANDARD SCREWS

### Material

Steel, zinc-plated (class 45H).

### Technical Notes

To DIN 914, cone point.

Order No.	d <sub>1</sub>	l <sub>1</sub>	d <sub>2</sub>	l <sub>2</sub> min.	A/F
P0273.020-002-ZP	M 2	2	-	0.8	0.9
P0273.020-003-ZP	M 2	3	-	0.8	0.9
P0273.020-004-ZP	M 2	4	-	0.8	0.9
P0273.020-005-ZP	M 2	5	-	0.8	0.9
P0273.020-006-ZP	M 2	6	-	0.8	0.9
P0273.020-008-ZP	M 2	8	-	0.8	0.9
P0273.020-010-ZP	M 2	10	-	0.8	0.9
P0273.020-012-ZP	M 2	12	-	0.8	0.9
P0273.020-014-ZP	M 2	14	-	0.8	0.9
P0273.020-016-ZP	M 2	16	-	0.8	0.9
P0273.025-003-ZP	M2,5	3	-	1.2	1.3
P0273.025-004-ZP	M2,5	4	-	1.2	1.3
P0273.025-005-ZP	M2,5	5	-	1.2	1.3
P0273.025-006-ZP	M2,5	6	-	1.2	1.3
P0273.025-008-ZP	M2,5	8	-	1.2	1.3
P0273.025-010-ZP	M2,5	10	-	1.2	1.3
P0273.025-012-ZP	M2,5	12	-	1.2	1.3
P0273.025-014-ZP	M2,5	14	-	1.2	1.3
P0273.025-016-ZP	M2,5	16	-	1.2	1.3
P0273.030-003-ZP	M 3	3	-	1.2	1.5
P0273.030-004-ZP	M 3	4	-	1.2	1.5
P0273.030-005-ZP	M 3	5	-	1.2	1.5
P0273.030-006-ZP	M 3	6	-	1.2	1.5
P0273.030-008-ZP	M 3	8	-	1.2	1.5
P0273.030-010-ZP	M 3	10	-	1.2	1.5
P0273.030-012-ZP	M 3	12	-	1.2	1.5
P0273.030-014-ZP	M 3	14	-	1.2	1.5
P0273.030-016-ZP	M 3	16	-	1.2	1.5
P0273.030-020-ZP	M 3	20	-	1.2	1.5
P0273.030-025-ZP	M 3	25	-	1.2	1.5
P0273.030-030-ZP	M 3	30	-	1.2	1.5
P0273.040-003-ZP	M 4	3	-	1.5	2.0
P0273.040-004-ZP	M 4	4	-	1.5	2.0
P0273.040-005-ZP	M 4	5	-	1.5	2.0



Order No.	d <sub>1</sub>	l <sub>1</sub>	d <sub>2</sub>	l <sub>2</sub> min.	A/F
P0273.040-006-ZP	M 4	6	-	1.5	2.0
P0273.040-008-ZP	M 4	8	-	1.5	2.0
P0273.040-010-ZP	M 4	10	-	1.5	2.0
P0273.040-012-ZP	M 4	12	-	1.5	2.0
P0273.040-014-ZP	M 4	14	-	1.5	2.0
P0273.040-016-ZP	M 4	16	-	1.5	2.0
P0273.040-020-ZP	M 4	20	-	1.5	2.0
P0273.040-025-ZP	M 4	25	-	1.5	2.0
P0273.040-030-ZP	M 4	30	-	1.5	2.0
P0273.040-035-ZP	M 4	35	-	1.5	2.0
P0273.040-040-ZP	M 4	40	-	1.5	2.0
P0273.050-005-ZP	M 5	5	-	2.0	2.5
P0273.050-006-ZP	M 5	6	-	2.0	2.5
P0273.050-008-ZP	M 5	8	-	2.0	2.5
P0273.050-010-ZP	M 5	10	-	2.0	2.5
P0273.050-012-ZP	M 5	12	-	2.0	2.5
P0273.050-014-ZP	M 5	14	-	2.0	2.5
P0273.050-016-ZP	M 5	16	-	2.0	2.5
P0273.050-020-ZP	M 5	20	-	2.0	2.5
P0273.050-025-ZP	M 5	25	-	2.0	2.5
P0273.050-030-ZP	M 5	30	-	2.0	2.5
P0273.050-035-ZP	M 5	35	-	2.0	2.5
P0273.050-040-ZP	M 5	40	--	2.0	2.5
P0273.050-050-ZP	M 5	50	-	2.0	2.5
P0273.060-004-ZP	M 6	4	1.5	2.0	3.0
P0273.060-005-ZP	M 6	5	1.5	2.0	3.0
P0273.060-006-ZP	M 6	6	1.5	2.0	3.0
P0273.060-008-ZP	M 6	8	1.5	2.0	3.0
P0273.060-010-ZP	M 6	10	1.5	2.0	3.0
P0273.060-012-ZP	M 6	12	1.5	2.0	3.0
P0273.060-014-ZP	M 6	14	1.5	2.0	3.0
P0273.060-016-ZP	M 6	16	1.5	2.0	3.0
P0273.060-018-ZP	M 6	18	1.5	2.0	3.0
P0273.060-020-ZP	M 6	20	1.5	2.0	3.0
P0273.060-025-ZP	M 6	25	1.5	2.0	3.0
P0273.060-030-ZP	M 6	30	1.5	2.0	3.0
P0273.060-035-ZP	M 6	35	1.5	2.0	3.0
P0273.060-040-ZP	M 6	40	1.5	2.0	3.0
P0273.060-045-ZP	M 6	45	1.5	2.0	3.0
P0273.060-050-ZP	M 6	50	1.5	2.0	3.0
P0273.080-006-ZP	M 8	6	2.0	3.0	4.0
P0273.080-008-ZP	M 8	8	2.0	3.0	4.0
P0273.080-010-ZP	M 8	10	2.0	3.0	4.0
P0273.080-012-ZP	M 8	12	2.0	3.0	4.0
P0273.080-014-ZP	M 8	14	2.0	3.0	4.0
P0273.080-016-ZP	M 8	16	2.0	3.0	4.0
P0273.080-018-ZP	M 8	18	2.0	3.0	4.0
P0273.080-020-ZP	M 8	20	2.0	3.0	4.0
P0273.080-025-ZP	M 8	25	2.0	3.0	4.0
P0273.080-030-ZP	M 8	30	2.0	3.0	4.0
P0273.080-035-ZP	M 8	35	2.0	3.0	4.0
P0273.080-040-ZP	M 8	40	2.0	3.0	4.0
P0273.080-050-ZP	M 8	50	2.0	3.0	4.0
P0273.080-060-ZP	M 8	60	2.0	3.0	4.0
P0273.100-010-ZP	M10	10	2.5	4.0	5.0
P0273.100-012-ZP	M10	12	2.5	4.0	5.0
P0273.100-016-ZP	M10	16	2.5	4.0	5.0
P0273.100-020-ZP	M10	20	2.5	4.0	5.0
P0273.100-025-ZP	M10	25	2.5	4.0	5.0
P0273.100-030-ZP	M10	30	2.5	4.0	5.0
P0273.100-035-ZP	M10	35	2.5	4.0	5.0
P0273.100-040-ZP	M10	40	2.5	4.0	5.0
P0273.100-045-ZP	M10	45	2.5	4.0	5.0
P0273.100-050-ZP	M10	50	2.5	4.0	5.0
P0273.100-055-ZP	M10	55	2.5	4.0	5.0
P0273.100-060-ZP	M10	60	2.5	4.0	5.0
P0273.100-070-ZP	M10	70	2.5	4.0	5.0
P0273.100-080-ZP	M10	80	2.5	4.0	5.0



# Socket Set Screws Cone Point

Cone Point - steel, zinc-plated

Standard Screws



Order No.	d <sub>1</sub>	l <sub>1</sub>	d <sub>2</sub>	l <sub>2</sub> min.	A/F
P0273.120-012-ZP	M12	12	3.0	4.8	5.0
P0273.120-016-ZP	M12	16	3.0	4.8	5.0
P0273.120-020-ZP	M12	20	3.0	4.8	5.0
P0273.120-025-ZP	M12	25	3.0	4.8	5.0
P0273.120-030-ZP	M12	30	3.0	4.8	5.0
P0273.120-035-ZP	M12	35	3.0	4.8	5.0
P0273.120-040-ZP	M12	40	3.0	4.8	5.0
P0273.120-045-ZP	M12	45	3.0	4.8	5.0
P0273.120-050-ZP	M12	50	3.0	4.8	5.0
P0273.120-055-ZP	M12	55	3.0	4.8	5.0
P0273.120-060-ZP	M12	60	3.0	4.8	5.0
P0273.120-070-ZP	M12	70	3.0	4.8	5.0
P0273.120-080-ZP	M12	80	3.0	4.8	5.0
P0273.120-090-ZP	M12	90	3.0	4.8	5.0
P0273.160-016-ZP	M16	16	4.0	6.4	8.0
P0273.160-020-ZP	M16	20	4.0	6.4	8.0
P0273.160-025-ZP	M16	25	4.0	6.4	8.0
P0273.160-030-ZP	M16	30	4.0	6.4	8.0
P0273.160-035-ZP	M16	35	4.0	6.4	8.0
P0273.160-040-ZP	M16	40	4.0	6.4	8.0
P0273.160-045-ZP	M16	45	4.0	6.4	8.0
P0273.160-050-ZP	M16	50	4.0	6.4	8.0
P0273.160-055-ZP	M16	55	4.0	6.4	8.0
P0273.160-060-ZP	M16	60	4.0	6.4	8.0
P0273.160-070-ZP	M16	70	4.0	6.4	8.0
P0273.160-080-ZP	M16	80	4.0	6.4	8.0
P0273.160-090-ZP	M16	90	4.0	6.4	8.0
P0273.160-100-ZP	M16	100	4.0	6.4	8.0
P0273.200-020-ZP	M20	20	5.0	8.0	10.0
P0273.200-025-ZP	M20	25	5.0	8.0	10.0
P0273.200-030-ZP	M20	30	5.0	8.0	10.0
P0273.200-035-ZP	M20	35	5.0	8.0	10.0
P0273.200-040-ZP	M20	40	5.0	8.0	10.0
P0273.200-045-ZP	M20	45	5.0	8.0	10.0
P0273.200-050-ZP	M20	50	5.0	8.0	10.0
P0273.200-055-ZP	M20	55	5.0	8.0	10.0
P0273.200-060-ZP	M20	60	5.0	8.0	10.0
P0273.200-070-ZP	M20	70	5.0	8.0	10.0
P0273.200-080-ZP	M20	80	5.0	8.0	10.0
P0273.200-090-ZP	M20	90	5.0	8.0	10.0
P0273.200-100-ZP	M20	100	5.0	8.0	10.0

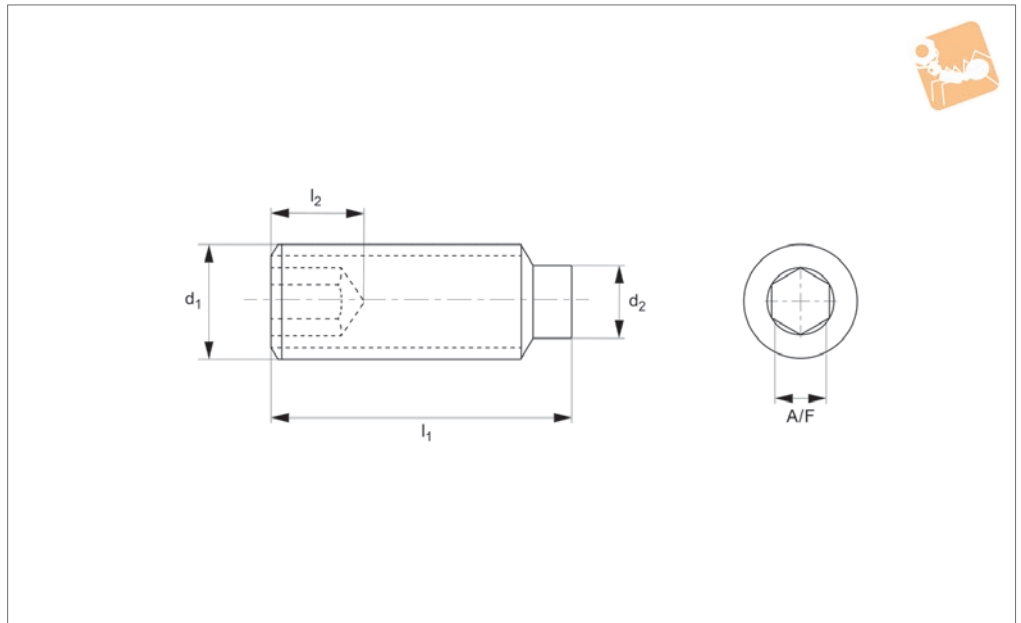
STANDARD SCREWS



STANDARD SCREWS



**P0274.A2**



**Material**

Stainless steel (A2).

See technical page for tightening torques.

**Technical Notes**

To DIN 915, dog point.

Order No.	d <sub>1</sub>	l <sub>1</sub>	d <sub>2</sub>	l <sub>2</sub> min.	A/F
P0274.020-003-A2	M 2	3	0.75	0.8	0.9
P0274.020-004-A2	M 2	4	0.75	0.8	0.9
P0274.020-005-A2	M 2	5	0.75	0.8	0.9
P0274.020-006-A2	M 2	6	0.75	0.8	0.9
P0274.020-008-A2	M 2	8	0.75	0.8	0.9
P0274.020-010-A2	M 2	10	0.75	0.8	0.9
P0274.020-012-A2	M 2	12	0.75	0.8	0.9
P0274.020-014-A2	M 2	12	0.75	0.8	0.9
P0274.020-016-A2	M 2	16	0.75	0.8	0.9
P0274.025-003-A2	M2,5	3	1.25	1.2	1.3
P0274.025-004-A2	M2,5	4	1.25	1.2	1.3
P0274.025-005-A2	M2,5	5	1.25	1.2	1.3
P0274.025-006-A2	M2,5	6	1.25	1.2	1.3
P0274.025-008-A2	M2,5	8	1.25	1.2	1.3
P0274.025-010-A2	M2,5	10	1.25	1.2	1.3
P0274.025-012-A2	M2,5	12	1.25	1.2	1.3
P0274.025-014-A2	M2,5	12	1.25	1.2	1.3
P0274.025-016-A2	M2,5	16	1.25	1.2	1.3
P0274.030-003-A2	M 3	3	1.75	1.2	1.5
P0274.030-004-A2	M 3	4	1.75	1.2	1.5
P0274.030-005-A2	M 3	5	1.75	1.2	1.5
P0274.030-006-A2	M 3	6	1.75	1.2	1.5
P0274.030-008-A2	M 3	8	1.75	1.2	1.5
P0274.030-010-A2	M 3	10	1.75	1.2	1.5
P0274.030-012-A2	M 3	12	1.75	1.2	1.5
P0274.030-014-A2	M 3	14	1.75	1.2	1.5
P0274.030-016-A2	M 3	16	1.75	1.2	1.5
P0274.030-020-A2	M 3	20	1.75	1.2	1.5
P0274.030-025-A2	M 3	25	1.75	1.2	1.5
P0274.030-030-A2	M 3	30	1.75	1.2	1.5
P0274.040-004-A2	M 4	4	2.25	1.5	2.0
P0274.040-005-A2	M 4	5	2.25	1.5	2.0
P0274.040-006-A2	M 4	6	2.25	1.5	2.0
P0274.040-008-A2	M 4	8	2.25	1.5	2.0



# Socket Set Screws Dog Point

Dog Point - A2 stainless

Standard Screws



Order No.	d <sub>1</sub>	l <sub>1</sub>	d <sub>2</sub>	l <sub>2</sub> min.	A/F
P0274.040-010-A2	M 4	10	2.25	1.5	2.0
P0274.040-012-A2	M 4	12	2.25	1.5	2.0
P0274.040-014-A2	M 4	14	2.25	1.5	2.0
P0274.040-016-A2	M 4	16	2.25	1.5	2.0
P0274.040-020-A2	M 4	20	2.25	1.5	2.0
P0274.040-025-A2	M 4	25	2.25	1.5	2.0
P0274.040-030-A2	M 4	30	2.25	1.5	2.0
P0274.040-035-A2	M 4	35	2.25	1.5	2.0
P0274.040-040-A2	M 4	40	2.25	1.5	2.0
P0274.050-005-A2	M 5	5	3.20	2.0	2.5
P0274.050-006-A2	M 5	6	3.20	2.0	2.5
P0274.050-008-A2	M 5	8	3.20	2.0	2.5
P0274.050-010-A2	M 5	10	3.20	2.0	2.5
P0274.050-012-A2	M 5	12	3.20	2.0	2.5
P0274.050-014-A2	M 5	14	3.20	2.0	2.5
P0274.050-016-A2	M 5	16	3.20	2.0	2.5
P0274.050-020-A2	M 5	20	3.20	2.0	2.5
P0274.050-025-A2	M 5	25	3.20	2.0	2.5
P0274.050-030-A2	M 5	30	3.20	2.0	2.5
P0274.060-006-A2	M 6	6	3.70	2.0	3.0
P0274.060-008-A2	M 6	8	3.70	2.0	3.0
P0274.060-010-A2	M 6	10	3.70	2.0	3.0
P0274.060-012-A2	M 6	12	3.70	2.0	3.0
P0274.060-014-A2	M 6	14	3.70	2.0	3.0
P0274.060-016-A2	M 6	16	3.70	2.0	3.0
P0274.060-018-A2	M 6	18	3.70	2.0	3.0
P0274.060-020-A2	M 6	20	3.70	2.0	3.0
P0274.060-025-A2	M 6	25	3.70	2.0	3.0
P0274.060-030-A2	M 6	30	3.70	2.0	3.0
P0274.060-035-A2	M 6	35	3.70	2.0	3.0
P0274.060-040-A2	M 6	40	3.70	2.0	3.0
P0274.060-045-A2	M 6	45	3.70	2.0	3.0
P0274.060-050-A2	M 6	50	3.70	2.0	3.0
P0274.060-055-A2	M 6	55	3.70	2.0	3.0
P0274.060-060-A2	M 6	60	3.70	2.0	3.0
P0274.080-008-A2	M 8	8	5.20	3.0	4.0
P0274.080-010-A2	M 8	10	5.20	3.0	4.0
P0274.080-012-A2	M 8	12	5.20	3.0	4.0
P0274.080-014-A2	M 8	14	5.20	3.0	4.0
P0274.080-016-A2	M 8	16	5.20	3.0	4.0
P0274.080-018-A2	M 8	18	5.20	3.0	4.0
P0274.080-020-A2	M 8	20	5.20	3.0	4.0
P0274.080-025-A2	M 8	25	5.20	3.0	4.0
P0274.080-030-A2	M 8	30	5.20	3.0	4.0
P0274.080-035-A2	M 8	35	5.20	3.0	4.0
P0274.080-040-A2	M 8	40	5.20	3.0	4.0
P0274.080-050-A2	M 8	50	5.20	3.0	4.0
P0274.080-060-A2	M 8	60	5.20	3.0	4.0
P0274.100-010-A2	M10	10	6.64	4.0	5.0
P0274.100-012-A2	M10	12	6.64	4.0	5.0
P0274.100-016-A2	M10	16	6.64	4.0	5.0
P0274.100-020-A2	M10	20	6.64	4.0	5.0
P0274.100-025-A2	M10	25	6.64	4.0	5.0
P0274.100-030-A2	M10	30	6.64	4.0	5.0
P0274.100-035-A2	M10	35	6.64	4.0	5.0
P0274.100-040-A2	M10	40	6.64	4.0	5.0
P0274.100-045-A2	M10	45	6.64	4.0	5.0
P0274.100-050-A2	M10	50	6.64	4.0	5.0
P0274.100-055-A2	M10	55	6.64	4.0	5.0
P0274.100-060-A2	M10	60	6.64	4.0	5.0
P0274.120-012-A2	M12	12	8.14	4.8	6.0
P0274.120-016-A2	M12	16	8.14	4.8	6.0
P0274.120-020-A2	M12	20	8.14	4.8	6.0
P0274.120-025-A2	M12	25	8.14	4.8	6.0
P0274.120-030-A2	M12	30	8.14	4.8	6.0
P0274.120-035-A2	M12	35	8.14	4.8	6.0
P0274.120-040-A2	M12	40	8.14	4.8	6.0
P0274.120-045-A2	M12	45	8.14	4.8	6.0

STANDARD SCREWS



STANDARD SCREWS

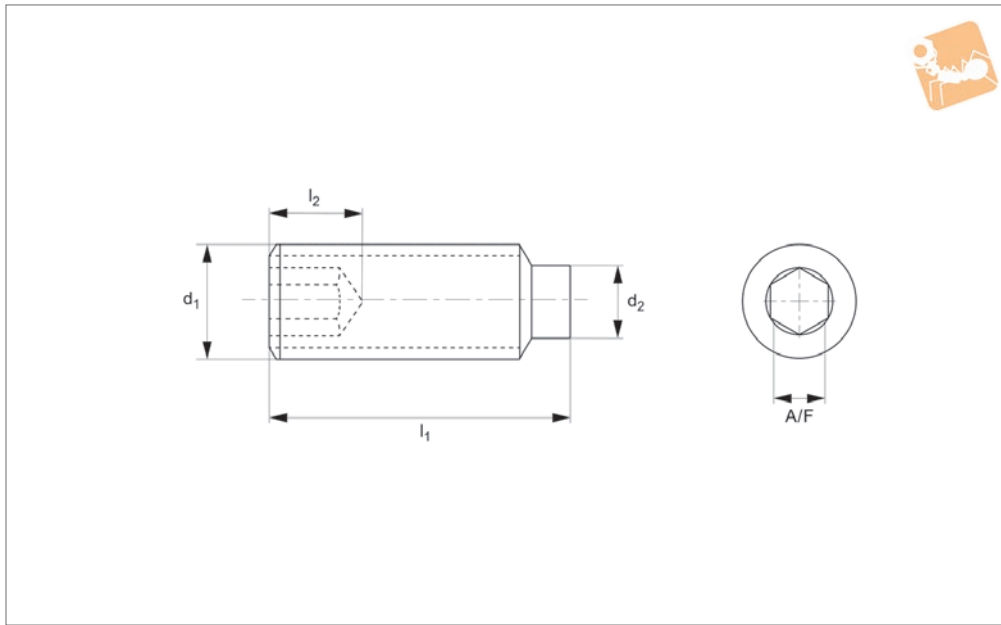
Order No.	d <sub>1</sub>	l <sub>1</sub>	d <sub>2</sub>	l <sub>2</sub> min.	A/F
P0274.120-050-A2	M12	50	8.14	4.8	6.0
P0274.120-055-A2	M12	55	8.14	4.8	6.0
P0274.120-060-A2	M12	60	8.14	4.8	6.0
P0274.120-070-A2	M12	70	8.14	4.8	6.0
P0274.160-016-A2	M16	16	11.57	6.4	8.0
P0274.160-020-A2	M16	20	11.57	6.4	8.0
P0274.160-025-A2	M16	25	11.57	6.4	8.0
P0274.160-030-A2	M16	30	11.57	6.4	8.0
P0274.160-035-A2	M16	35	11.57	6.4	8.0
P0274.160-040-A2	M16	40	11.57	6.4	8.0
P0274.160-045-A2	M16	45	11.57	6.4	8.0
P0274.160-050-A2	M16	50	11.57	6.4	8.0
P0274.160-060-A2	M16	60	11.57	6.4	8.0
P0274.160-070-A2	M16	70	11.57	6.4	8.0
P0274.160-100-A2	M16	100	11.57	6.4	8.0
P0274.200-020-A2	M20	20	14.57	8.0	10
P0274.200-025-A2	M20	25	14.57	8.0	10
P0274.200-030-A2	M20	30	14.57	8.0	10
P0274.200-035-A2	M20	35	14.57	8.0	10
P0274.200-040-A2	M20	40	14.57	8.0	10
P0274.200-045-A2	M20	45	14.57	8.0	10
P0274.200-050-A2	M20	50	14.57	8.0	10
P0274.200-060-A2	M20	60	14.57	8.0	10
P0274.200-070-A2	M20	70	14.57	8.0	10
P0274.200-090-A2	M20	90	14.57	8.0	10
P0274.200-100-A2	M20	100	14.57	8.0	10



# Socket Set Screws Dog Point

Dog Point - A4 stainless

Standard Screws



**P0274.A4**

STANDARD SCREWS

### Material

Stainless steel (A4).

See technical page for tightening torques.

### Technical Notes

To DIN 915, dog point.

Order No.	d <sub>1</sub>	l <sub>1</sub>	d <sub>2</sub>	l <sub>2</sub> min.	A/F
P0274.020-003-A4	M 2	3	0.75	0.8	0.9
P0274.020-004-A4	M 2	4	0.75	0.8	0.9
P0274.020-005-A4	M 2	5	0.75	0.8	0.9
P0274.020-006-A4	M 2	6	0.75	0.8	0.9
P0274.020-008-A4	M 2	8	0.75	0.8	0.9
P0274.020-010-A4	M 2	10	0.75	0.8	0.9
P0274.020-012-A4	M 2	12	0.75	0.8	0.9
P0274.020-014-A4	M 2	12	0.75	0.8	0.9
P0274.020-016-A4	M 2	16	0.75	0.8	0.9
P0274.025-003-A4	M2,5	3	1.25	1.2	1.3
P0274.025-004-A4	M2,5	4	1.25	1.2	1.3
P0274.025-005-A4	M2,5	5	1.25	1.2	1.3
P0274.025-006-A4	M2,5	6	1.25	1.2	1.3
P0274.025-008-A4	M2,5	8	1.25	1.2	1.3
P0274.025-010-A4	M2,5	10	1.25	1.2	1.3
P0274.025-012-A4	M2,5	12	1.25	1.2	1.3
P0274.025-014-A4	M2,5	12	1.25	1.2	1.3
P0274.025-016-A4	M2,5	16	1.25	1.2	1.3
P0274.030-003-A4	M 3	3	1.75	1.2	1.5
P0274.030-004-A4	M 3	4	1.75	1.2	1.5
P0274.030-005-A4	M 3	5	1.75	1.2	1.5
P0274.030-006-A4	M 3	6	1.75	1.2	1.5
P0274.030-008-A4	M 3	8	1.75	1.2	1.5
P0274.030-010-A4	M 3	10	1.75	1.2	1.5
P0274.030-012-A4	M 3	12	1.75	1.2	1.5
P0274.030-014-A4	M 3	14	1.75	1.2	1.5
P0274.030-016-A4	M 3	16	1.75	1.2	1.5
P0274.030-020-A4	M 3	20	1.75	1.2	1.5
P0274.030-025-A4	M 3	25	1.75	1.2	1.5
P0274.030-030-A4	M 3	30	1.75	1.2	1.5
P0274.040-004-A4	M 4	4	2.25	1.5	2.0
P0274.040-005-A4	M 4	5	2.25	1.5	2.0
P0274.040-006-A4	M 4	6	2.25	1.5	2.0
P0274.040-008-A4	M 4	8	2.25	1.5	2.0



STANDARD SCREWS

Order No.	d <sub>1</sub>	l <sub>1</sub>	d <sub>2</sub>	l <sub>2</sub> min.	A/F
P0274.040-010-A4	M 4	10	2.25	1.5	2.0
P0274.040-012-A4	M 4	12	2.25	1.5	2.0
P0274.040-014-A4	M 4	14	2.25	1.5	2.0
P0274.040-016-A4	M 4	16	2.25	1.5	2.0
P0274.040-020-A4	M 4	20	2.25	1.5	2.0
P0274.040-025-A4	M 4	25	2.25	1.5	2.0
P0274.040-030-A4	M 4	30	2.25	1.5	2.0
P0274.040-035-A4	M 4	35	2.25	1.5	2.0
P0274.040-040-A4	M 4	40	2.25	1.5	2.0
P0274.050-005-A4	M 5	5	3.20	2.0	2.5
P0274.050-006-A4	M 5	6	3.20	2.0	2.5
P0274.050-008-A4	M 5	8	3.20	2.0	2.5
P0274.050-010-A4	M 5	10	3.20	2.0	2.5
P0274.050-012-A4	M 5	12	3.20	2.0	2.5
P0274.050-014-A4	M 5	14	3.20	2.0	2.5
P0274.050-016-A4	M 5	16	3.20	2.0	2.5
P0274.050-020-A4	M 5	20	3.20	2.0	2.5
P0274.050-025-A4	M 5	25	3.20	2.0	2.5
P0274.050-030-A4	M 5	30	3.20	2.0	2.5
P0274.060-006-A4	M 6	6	3.70	2.0	3.0
P0274.060-008-A4	M 6	8	3.70	2.0	3.0
P0274.060-010-A4	M 6	10	3.70	2.0	3.0
P0274.060-012-A4	M 6	12	3.70	2.0	3.0
P0274.060-014-A4	M 6	14	3.70	2.0	3.0
P0274.060-016-A4	M 6	16	3.70	2.0	3.0
P0274.060-018-A4	M 6	18	3.70	2.0	3.0
P0274.060-020-A4	M 6	20	3.70	2.0	3.0
P0274.060-025-A4	M 6	25	3.70	2.0	3.0
P0274.060-030-A4	M 6	30	3.70	2.0	3.0
P0274.060-035-A4	M 6	35	3.70	2.0	3.0
P0274.060-040-A4	M 6	40	3.70	2.0	3.0
P0274.060-045-A4	M 6	45	3.70	2.0	3.0
P0274.060-050-A4	M 6	50	3.70	2.0	3.0
P0274.060-055-A4	M 6	55	3.70	2.0	3.0
P0274.060-060-A4	M 6	60	3.70	2.0	3.0
P0274.080-008-A4	M 8	8	5.20	3.0	4.0
P0274.080-010-A4	M 8	10	5.20	3.0	4.0
P0274.080-012-A4	M 8	12	5.20	3.0	4.0
P0274.080-014-A4	M 8	14	5.20	3.0	4.0
P0274.080-016-A4	M 8	16	5.20	3.0	4.0
P0274.080-018-A4	M 8	18	5.20	3.0	4.0
P0274.080-020-A4	M 8	20	5.20	3.0	4.0
P0274.080-025-A4	M 8	25	5.20	3.0	4.0
P0274.080-030-A4	M 8	30	5.20	3.0	4.0
P0274.080-035-A4	M 8	35	5.20	3.0	4.0
P0274.080-040-A4	M 8	40	5.20	3.0	4.0
P0274.080-050-A4	M 8	50	5.20	3.0	4.0
P0274.080-060-A4	M 8	60	5.20	3.0	4.0
P0274.100-010-A4	M10	10	6.64	4.0	5.0
P0274.100-012-A4	M10	12	6.64	4.0	5.0
P0274.100-016-A4	M10	16	6.64	4.0	5.0
P0274.100-020-A4	M10	20	6.64	4.0	5.0
P0274.100-025-A4	M10	25	6.64	4.0	5.0
P0274.100-030-A4	M10	30	6.64	4.0	5.0
P0274.100-035-A4	M10	35	6.64	4.0	5.0
P0274.100-040-A4	M10	40	6.64	4.0	5.0
P0274.100-045-A4	M10	45	6.64	4.0	5.0
P0274.100-050-A4	M10	50	6.64	4.0	5.0
P0274.100-055-A4	M10	55	6.64	4.0	5.0
P0274.100-060-A4	M10	60	6.64	4.0	5.0
P0274.120-012-A4	M12	12	8.14	4.8	6.0
P0274.120-016-A4	M12	16	8.14	4.8	6.0
P0274.120-020-A4	M12	20	8.14	4.8	6.0
P0274.120-025-A4	M12	25	8.14	4.8	6.0
P0274.120-030-A4	M12	30	8.14	4.8	6.0
P0274.120-035-A4	M12	35	8.14	4.8	6.0
P0274.120-040-A4	M12	40	8.14	4.8	6.0
P0274.120-045-A4	M12	45	8.14	4.8	6.0

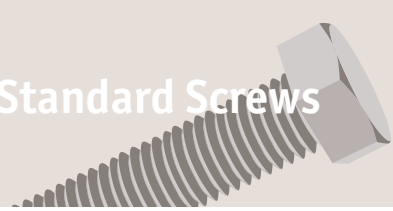




# Socket Set Screws Dog Point

Dog Point - A4 stainless

Standard Screws

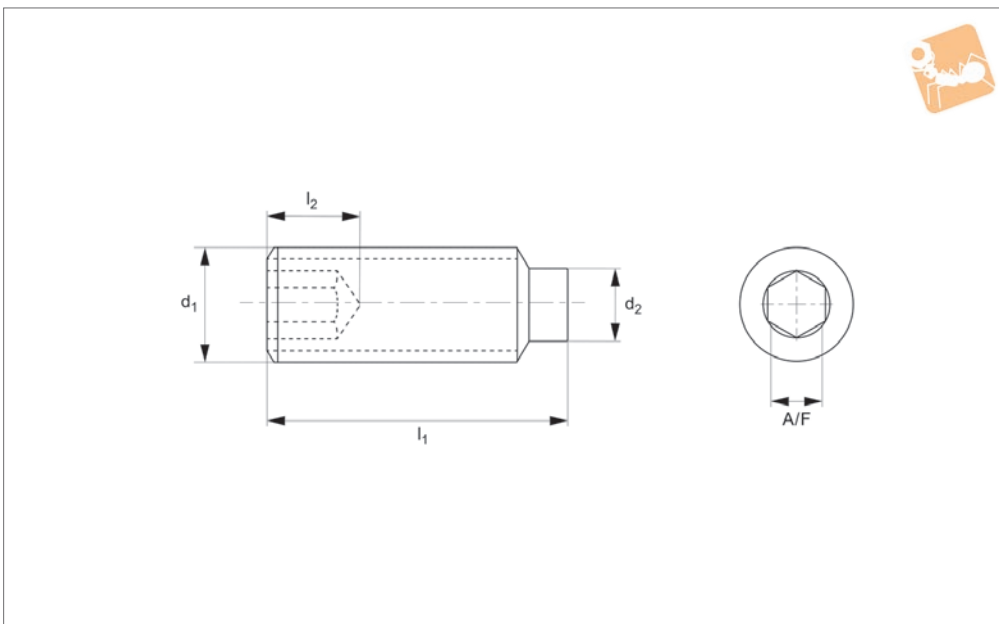


Order No.	d <sub>1</sub>	l <sub>1</sub>	d <sub>2</sub>	l <sub>2</sub> min.	A/F
P0274.120-050-A4	M12	50	8.14	4.8	6.0
P0274.120-055-A4	M12	55	8.14	4.8	6.0
P0274.120-060-A4	M12	60	8.14	4.8	6.0
P0274.120-070-A4	M12	70	8.14	4.8	6.0
P0274.160-016-A4	M16	16	11.57	6.4	8.0
P0274.160-020-A4	M16	20	11.57	6.4	8.0
P0274.160-025-A4	M16	25	11.57	6.4	8.0
P0274.160-030-A4	M16	30	11.57	6.4	8.0
P0274.160-035-A4	M16	35	11.57	6.4	8.0
P0274.160-040-A4	M16	40	11.57	6.4	8.0
P0274.160-045-A4	M16	45	11.57	6.4	8.0
P0274.160-050-A4	M16	50	11.57	6.4	8.0
P0274.160-060-A4	M16	60	11.57	6.4	8.0
P0274.160-070-A4	M16	70	11.57	6.4	8.0
P0274.160-100-A4	M16	100	11.57	6.4	8.0
P0274.200-020-A4	M20	20	14.57	8.0	10
P0274.200-025-A4	M20	25	14.57	8.0	10
P0274.200-030-A4	M20	30	14.57	8.0	10
P0274.200-035-A4	M20	35	14.57	8.0	10
P0274.200-040-A4	M20	40	14.57	8.0	10
P0274.200-045-A4	M20	45	14.57	8.0	10
P0274.200-050-A4	M20	50	14.57	8.0	10
P0274.200-060-A4	M20	60	14.57	8.0	10
P0274.200-070-A4	M20	70	14.57	8.0	10
P0274.200-090-A4	M20	90	14.57	8.0	10
P0274.200-100-A4	M20	100	14.57	8.0	10

STANDARD SCREWS



**P0274.ZP**



**Material**

Steel, zinc-plated (class 45H).

**Technical Notes**

To DIN 915, dog point.

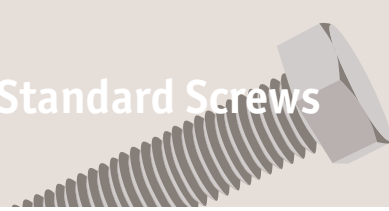
Order No.	d <sub>1</sub>	l <sub>1</sub>	d <sub>2</sub>	l <sub>2</sub> min.	A/F
P0274.020-003-ZP	M 2	3	0.75	0.8	0.9
P0274.020-004-ZP	M 2	4	0.75	0.8	0.9
P0274.020-005-ZP	M 2	5	0.75	0.8	0.9
P0274.020-006-ZP	M 2	6	0.75	0.8	0.9
P0274.020-008-ZP	M 2	8	0.75	0.8	0.9
P0274.020-010-ZP	M 2	10	0.75	0.8	0.9
P0274.020-012-ZP	M 2	12	0.75	0.8	0.9
P0274.020-014-ZP	M 2	14	0.75	0.8	0.9
P0274.020-016-ZP	M 2	16	0.75	0.8	0.9
P0274.025-003-ZP	M2,5	3	1.25	1.2	1.3
P0274.025-004-ZP	M2,5	4	1.25	1.2	1.3
P0274.025-005-ZP	M2,5	5	1.25	1.2	1.3
P0274.025-006-ZP	M 2,5	6	1.25	1.2	1.3
P0274.025-008-ZP	M 2,5	8	1.25	1.2	1.3
P0274.025-010-ZP	M2,5	10	1.25	1.2	1.3
P0274.025-012-ZP	M2,5	12	1.25	1.2	1.3
P0274.025-014-ZP	M2,5	12	1.25	1.2	1.3
P0274.025-016-ZP	M2,5	16	1.25	1.2	1.3
P0274.030-003-ZP	M 3	3	1.75	1.2	1.5
P0274.030-004-ZP	M 3	4	1.75	1.2	1.5
P0274.030-005-ZP	M 3	5	1.75	1.2	1.5
P0274.030-006-ZP	M 3	6	1.75	1.2	1.5
P0274.030-008-ZP	M 3	8	1.75	1.2	1.5
P0274.030-010-ZP	M 3	10	1.75	1.2	1.5
P0274.030-012-ZP	M 3	12	1.75	1.2	1.5
P0274.030-014-ZP	M 3	14	1.75	1.2	1.5
P0274.030-016-ZP	M 3	16	1.75	1.2	1.5
P0274.030-020-ZP	M 3	20	1.75	1.2	1.5
P0274.030-025-ZP	M 3	25	1.75	1.2	1.5
P0274.030-030-ZP	M 3	30	1.75	1.2	1.5
P0274.040-004-ZP	M 4	4	2.25	1.5	2.0
P0274.040-005-ZP	M 4	5	2.25	1.5	2.0
P0274.040-006-ZP	M 4	6	2.25	1.5	2.0
P0274.040-008-ZP	M 4	8	2.25	1.5	2.0



# Socket Set Screws Dog Point

Dog Point - steel, zinc-plated

Standard Screws



Order No.	d <sub>1</sub>	l <sub>1</sub>	d <sub>2</sub>	l <sub>2</sub> min.	A/F
P0274.040-010-ZP	M 4	10	2.25	1.5	2.0
P0274.040-012-ZP	M 4	12	2.25	1.5	2.0
P0274.040-014-ZP	M 4	14	2.25	1.5	2.0
P0274.040-016-ZP	M 4	16	2.25	1.5	2.0
P0274.040-020-ZP	M 4	20	2.25	1.5	2.0
P0274.040-025-ZP	M 4	25	2.25	1.5	2.0
P0274.040-030-ZP	M 4	30	2.25	1.5	2.0
P0274.040-035-ZP	M 4	35	2.25	1.5	2.0
P0274.040-040-ZP	M 4	40	2.25	1.5	2.0
P0274.050-005-ZP	M 5	5	3.20	2.0	2.5
P0274.050-006-ZP	M 5	6	3.20	2.0	2.5
P0274.050-008-ZP	M 5	8	3.20	2.0	2.5
P0274.050-010-ZP	M 5	10	3.20	2.0	2.5
P0274.050-012-ZP	M 5	12	3.20	2.0	2.5
P0274.050-014-ZP	M 5	14	3.20	2.0	2.5
P0274.050-016-ZP	M 5	16	3.20	2.0	2.5
P0274.050-020-ZP	M 5	20	3.20	2.0	2.5
P0274.050-025-ZP	M 5	25	3.20	2.0	2.5
P0274.050-030-ZP	M 5	30	3.20	2.0	2.5
P0274.060-006-ZP	M 6	6	3.70	2.0	3.0
P0274.060-008-ZP	M 6	8	3.70	2.0	3.0
P0274.060-010-ZP	M 6	10	3.70	2.0	3.0
P0274.060-012-ZP	M 6	12	3.70	2.0	3.0
P0274.060-014-ZP	M 6	14	3.70	2.0	3.0
P0274.060-016-ZP	M 6	16	3.70	2.0	3.0
P0274.060-018-ZP	M 6	18	3.70	2.0	3.0
P0274.060-020-ZP	M 6	20	3.70	2.0	3.0
P0274.060-025-ZP	M 6	25	3.70	2.0	3.0
P0274.060-030-ZP	M 6	30	3.70	2.0	3.0
P0274.060-035-ZP	M 6	35	3.70	2.0	3.0
P0274.060-040-ZP	M 6	40	3.70	2.0	3.0
P0274.060-045-ZP	M 6	45	3.70	2.0	3.0
P0274.060-050-ZP	M 6	50	3.70	2.0	3.0
P0274.060-055-ZP	M 6	55	3.70	2.0	3.0
P0274.060-060-ZP	M 6	60	3.70	2.0	3.0
P0274.080-008-ZP	M 8	8	5.20	3.0	4.0
P0274.080-010-ZP	M 8	10	5.20	3.0	4.0
P0274.080-012-ZP	M 8	12	5.20	3.0	4.0
P0274.080-014-ZP	M 8	14	5.20	3.0	4.0
P0274.080-016-ZP	M 8	16	5.20	3.0	4.0
P0274.080-018-ZP	M 8	18	5.20	3.0	4.0
P0274.080-020-ZP	M 8	20	5.20	3.0	4.0
P0274.080-025-ZP	M 8	25	5.20	3.0	4.0
P0274.080-030-ZP	M 8	30	5.20	3.0	4.0
P0274.080-035-ZP	M 8	35	5.20	3.0	4.0
P0274.080-040-ZP	M 8	40	5.20	3.0	4.0
P0274.080-050-ZP	M 8	50	5.20	3.0	4.0
P0274.080-060-ZP	M 8	60	5.20	3.0	4.0
P0274.100-010-ZP	M10	10	6.64	4.0	5.0
P0274.100-012-ZP	M10	12	6.64	4.0	5.0
P0274.100-016-ZP	M10	16	6.64	4.0	5.0
P0274.100-020-ZP	M10	20	6.64	4.0	5.0
P0274.100-025-ZP	M10	25	6.64	4.0	5.0
P0274.100-030-ZP	M10	30	6.64	4.0	5.0
P0274.100-035-ZP	M10	35	6.64	4.0	5.0
P0274.100-040-ZP	M10	40	6.64	4.0	5.0
P0274.100-045-ZP	M10	45	6.64	4.0	5.0
P0274.100-050-ZP	M10	50	6.64	4.0	5.0
P0274.100-055-ZP	M10	55	6.64	4.0	5.0
P0274.100-060-ZP	M10	60	6.64	4.0	5.0
P0274.120-012-ZP	M12	12	8.14	4.8	6.0
P0274.120-016-ZP	M12	16	8.14	4.8	6.0
P0274.120-020-ZP	M12	20	8.14	4.8	6.0
P0274.120-025-ZP	M12	25	8.14	4.8	6.0
P0274.120-030-ZP	M12	30	8.14	4.8	6.0
P0274.120-035-ZP	M12	35	8.14	4.8	6.0
P0274.120-040-ZP	M12	40	8.14	4.8	6.0
P0274.120-045-ZP	M12	45	8.14	4.8	6.0

STANDARD SCREWS



STANDARD SCREWS

Order No.	d <sub>1</sub>	l <sub>1</sub>	d <sub>2</sub>	l <sub>2</sub> min.	A/F
P0274.120-050-ZP	M12	50	8.14	4.8	6.0
P0274.120-055-ZP	M12	55	8.14	4.8	6.0
P0274.120-060-ZP	M12	60	8.14	4.8	6.0
P0274.120-070-ZP	M12	70	8.14	4.8	6.0
P0274.160-016-ZP	M16	16	11.57	6.4	8.0
P0274.160-020-ZP	M16	20	11.57	6.4	8.0
P0274.160-025-ZP	M16	25	11.57	6.4	8.0
P0274.160-030-ZP	M16	30	11.57	6.4	8.0
P0274.160-035-ZP	M16	35	11.57	6.4	8.0
P0274.160-040-ZP	M16	40	11.57	6.4	8.0
P0274.160-045-ZP	M16	45	11.57	6.4	8.0
P0274.160-050-ZP	M16	50	11.57	6.4	8.0
P0274.160-060-ZP	M16	60	11.57	6.4	8.0
P0274.160-070-ZP	M16	70	11.57	6.4	8.0
P0274.160-100-ZP	M16	100	11.57	6.4	8.0
P0274.200-020-ZP	M20	20	14.57	8.0	10
P0274.200-025-ZP	M20	25	14.57	8.0	10
P0274.200-030-ZP	M20	30	14.57	8.0	10
P0274.200-035-ZP	M20	35	14.57	8.0	10
P0274.200-040-ZP	M20	40	14.57	8.0	10
P0274.200-045-ZP	M20	45	14.57	8.0	10
P0274.200-050-ZP	M20	50	14.57	8.0	10
P0274.200-060-ZP	M20	60	14.57	8.0	10
P0274.200-070-ZP	M20	70	14.57	8.0	10
P0274.200-090-ZP	M20	90	14.57	8.0	10
P0274.200-100-ZP	M20	100	14.57	8.0	10