

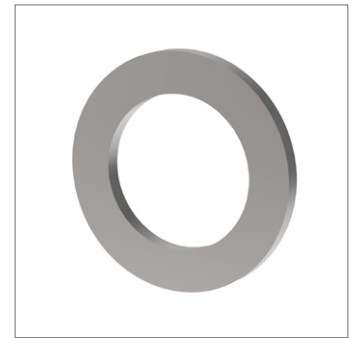
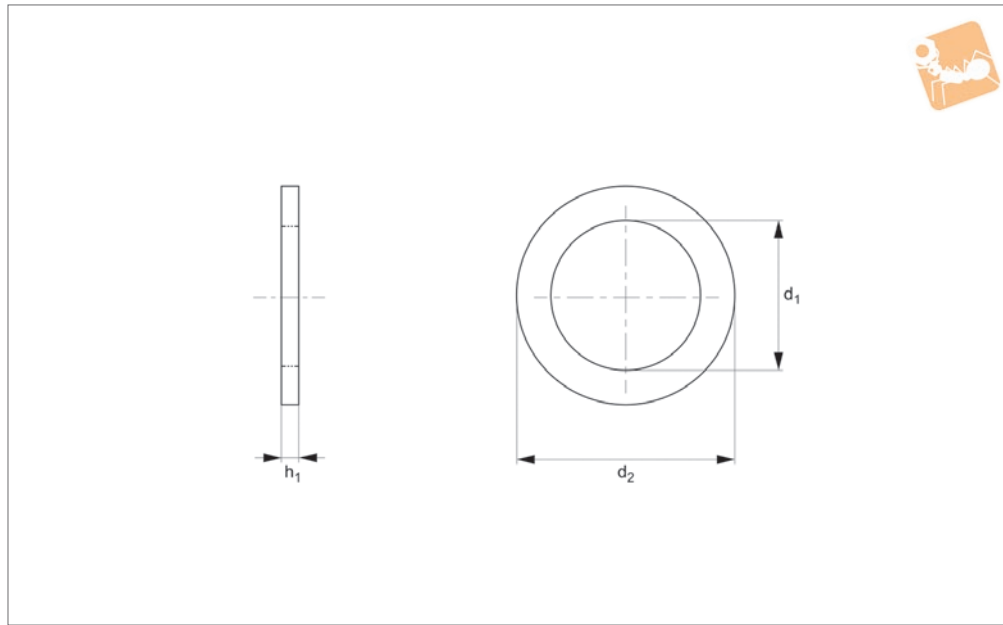


# Flat Washer

A2 stainless



## Flat Washers



**P0335.A2**

FLAT WASHERS

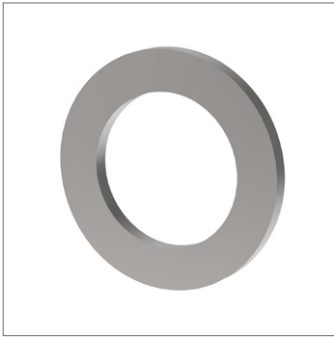
### Material

Stainless steel (A2, AISI 303).

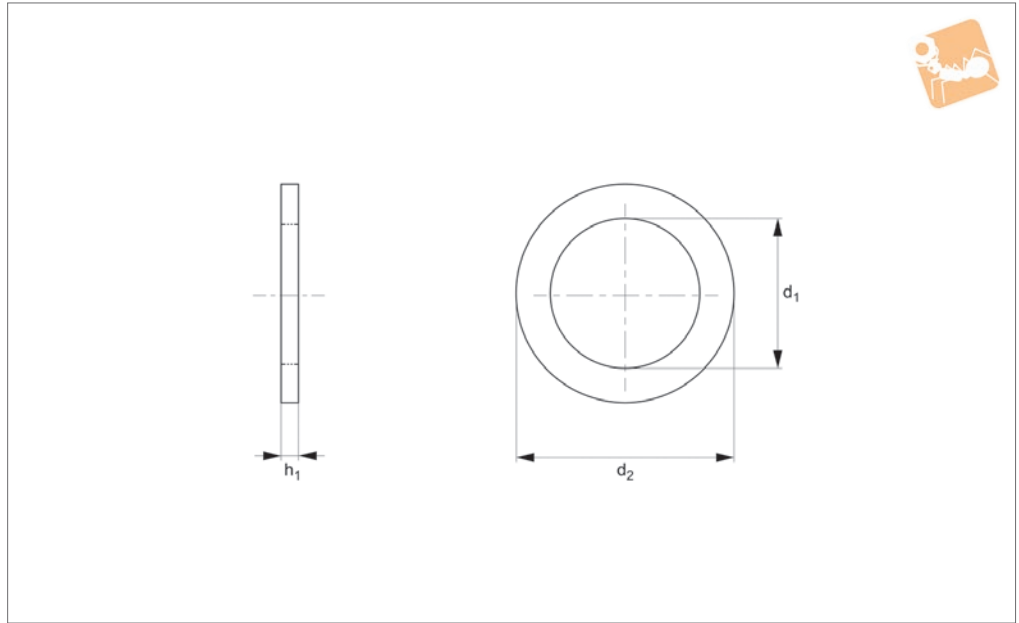
### Technical Notes

To DIN 433.

Order No.	d <sub>1</sub>	d <sub>2</sub>	For thread	h <sub>1</sub>	Material
P0335.014-A2	1.5	3	M1,4	0.3	A2 s/s
P0335.016-A2	1.7	3.5	M1,6	0.3	A2 s/s
P0335.020-A2	2.2	4.5	M 2	0.3	A2 s/s
P0335.025-A2	2.7	5	M2,5	0.5	A2 s/s
P0335.030-A2	3.2	6	M 3	0.5	A2 s/s
P0335.035-A2	3.7	7	M3,5	0.5	A2 s/s
P0335.040-A2	4.3	8	M 4	0.5	A2 s/s
P0335.050-A2	5.3	9	M 5	1.0	A2 s/s
P0335.060-A2	6.4	11	M 6	1.6	A2 s/s
P0335.080-A2	8.4	15	M 8	1.6	A2 s/s
P0335.100-A2	10.5	18	M10	1.6	A2 s/s
P0335.120-A2	13	20	M12	2.0	A2 s/s
P0335.140-A2	15	24	M14	2.5	A2 s/s
P0335.160-A2	17	28	M16	2.5	A2 s/s
P0335.180-A2	19	30	M18	2.5	A2 s/s
P0335.200-A2	21	34	M20	3.0	A2 s/s



**P0335.A4**



**Material**

Stainless steel (A4, AISI 316).

**Technical Notes**

To DIN 433.

Order No.	$d_1$	$d_2$	For thread	$h_1$	Material
P0335.014-A4	1.5	3	M1,4	0.3	A4 s/s
P0335.016-A4	1.7	3.5	M1,6	0.3	A4 s/s
P0335.020-A4	2.2	4.5	M 2	0.3	A4 s/s
P0335.025-A4	2.7	5	M2,5	0.5	A4 s/s
P0335.030-A4	3.2	6	M 3	0.5	A4 s/s
P0335.035-A4	3.7	7	M3,5	0.5	A4 s/s
P0335.040-A4	4.3	8	M 4	0.5	A4 s/s
P0335.050-A4	5.3	9	M 5	1.0	A4 s/s
P0335.060-A4	6.4	11	M 6	1.6	A4 s/s
P0335.080-A4	8.4	15	M 8	1.6	A4 s/s
P0335.100-A4	10.5	18	M10	1.6	A4 s/s
P0335.120-A4	13	20	M12	2.0	A4 s/s
P0335.140-A4	15	24	M14	2.5	A4 s/s
P0335.160-A4	17	28	M16	2.5	A4 s/s
P0335.180-A4	19	30	M18	2.5	A4 s/s
P0335.200-A4	21	34	M20	3.0	A4 s/s

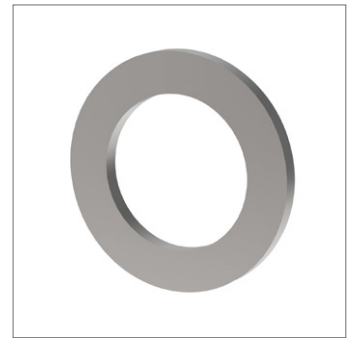
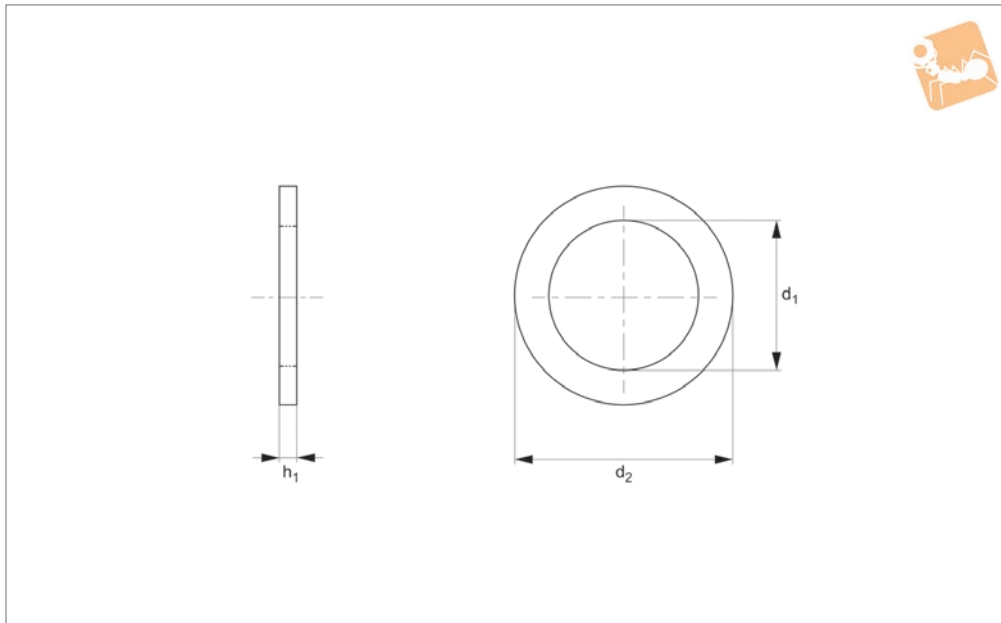


# Flat Washer

Steel, zinc-plated



## Flat Washers



**P0335.ZP**

FLAT WASHERS

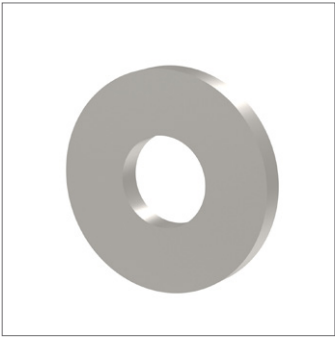
### Material

Steel, zinc plated.

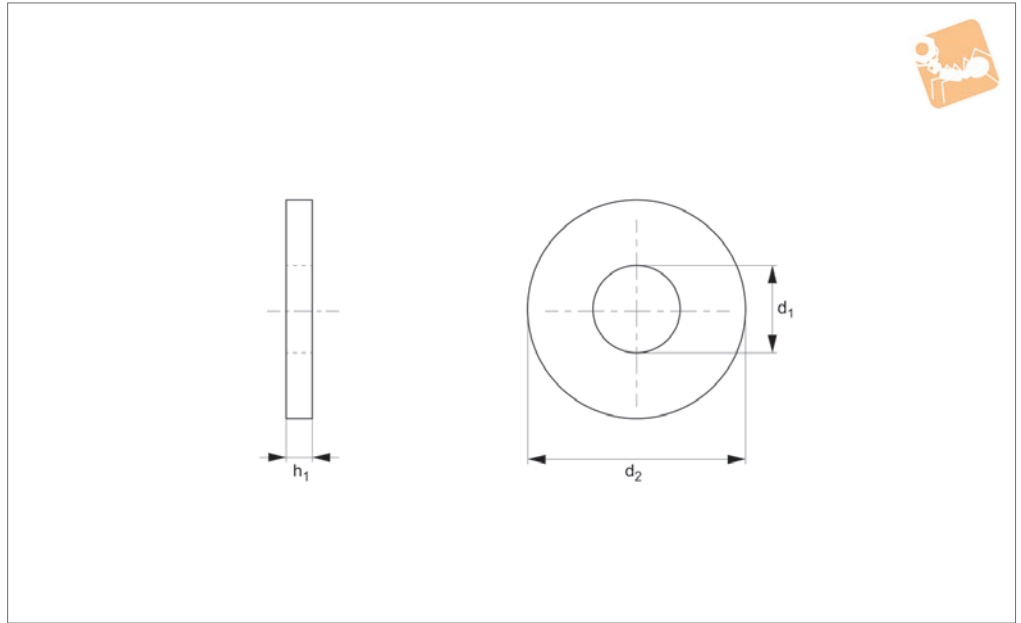
### Technical Notes

To DIN 433.

Order No.	d <sub>1</sub>	d <sub>2</sub>	For thread	h <sub>1</sub>	Material
P0335.014-ZP	1.5	3	M1,4	0.3	Steel ZP
P0335.016-ZP	1.7	3.5	M1,6	0.3	Steel ZP
P0335.020-ZP	2.2	4.5	M 2	0.3	Steel ZP
P0335.025-ZP	2.7	5	M2,5	0.5	Steel ZP
P0335.030-ZP	3.2	6	M 3	0.5	Steel ZP
P0335.035-ZP	3.7	7	M3,5	0.5	Steel ZP
P0335.040-ZP	4.3	8	M 4	0.5	Steel ZP
P0335.050-ZP	5.3	9	M 5	1.0	Steel ZP
P0335.060-ZP	6.4	11	M 6	1.6	Steel ZP
P0335.080-ZP	8.4	15	M 8	1.6	Steel ZP
P0335.100-ZP	10.5	18	M10	1.6	Steel ZP
P0335.120-ZP	13	20	M12	2.0	Steel ZP
P0335.140-ZP	15	24	M14	2.5	Steel ZP
P0335.160-ZP	17	28	M16	2.5	Steel ZP
P0335.180-ZP	19	30	M18	2.5	Steel ZP
P0335.200-ZP	21	34	M20	3.0	Steel ZP



**P0336.A2**



**Material**  
Stainless steel (A2).

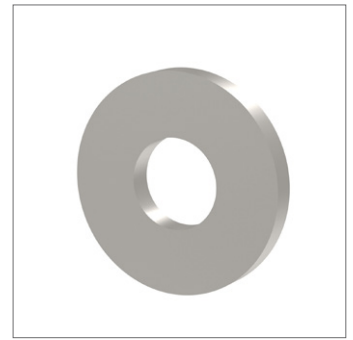
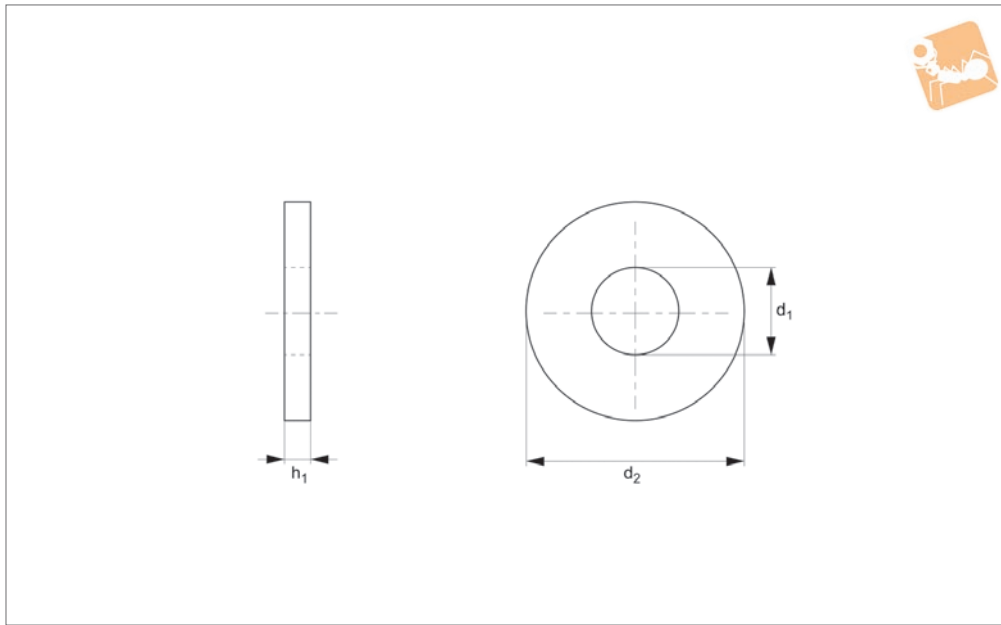
**Technical Notes**  
To DIN 7349.

Order No.	$d_1$	$d_2$	For thread	h	Material
P0336.030-A2	3.2	9	M 3	1.0	A2 s/s
P0336.040-A2	4.3	12	M 4	1.6	A2 s/s
P0336.050-A2	5.3	15	M 5	2.0	A2 s/s
P0336.060-A2	6.4	17	M 6	3.0	A2 s/s
P0336.080-A2	8.4	21	M 8	4.0	A2 s/s
P0336.100-A2	10.5	25	M10	4.0	A2 s/s
P0336.120-A2	13.0	30	M12	6.0	A2 s/s
P0336.140-A2	15.0	36	M14	6.0	A2 s/s
P0336.160-A2	17.0	40	M16	6.0	A2 s/s
P0336.180-A2	19.0	44	M18	8.0	A2 s/s
P0336.200-A2	21.0	44	M20	8.0	A2 s/s
P0336.220-A2	23.0	50	M22	8.0	A2 s/s
P0336.240-A2	25.0	50	M24	10.0	A2 s/s
P0336.270-A2	28.0	60	M27	10.0	A2 s/s
P0336.300-A2	31.0	68	M30	10.0	A2 s/s



# Heavy Flat Washers

Heavy - A4 stainless



**P0336.A4**

FLAT WASHERS

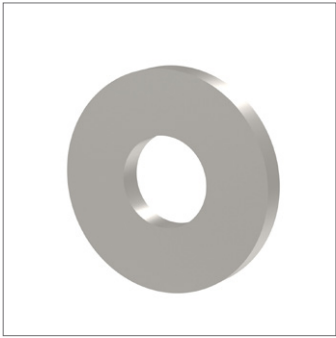
### Material

Stainless steel (A4).

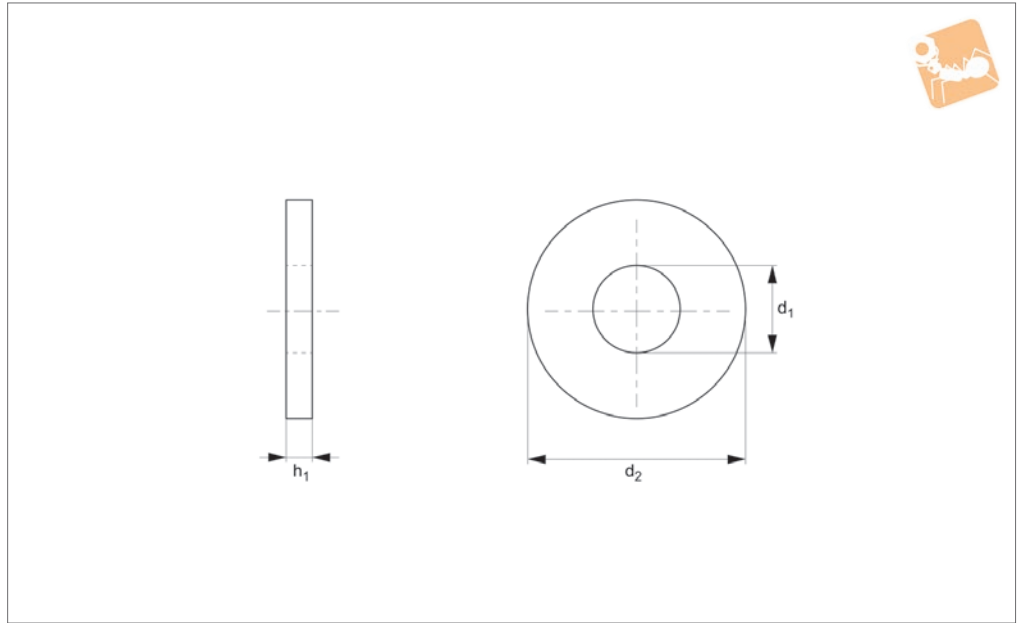
### Technical Notes

To DIN 7349.

Order No.	d <sub>1</sub>	d <sub>2</sub>	For thread	h	Material
P0336.030-A4	3.2	9	M 3	1.0	A4 s/s
P0336.040-A4	4.3	12	M 4	1.6	A4 s/s
P0336.050-A4	5.3	15	M 5	2.0	A4 s/s
P0336.060-A4	6.4	17	M 6	3.0	A4 s/s
P0336.080-A4	8.4	21	M 8	4.0	A4 s/s
P0336.100-A4	10.5	25	M10	4.0	A4 s/s
P0336.120-A4	13.0	30	M12	6.0	A4 s/s
P0336.140-A4	15.0	36	M14	6.0	A4 s/s
P0336.160-A4	17.0	40	M16	6.0	A4 s/s
P0336.180-A4	19.0	44	M18	8.0	A4 s/s
P0336.200-A4	21.0	44	M20	8.0	A4 s/s
P0336.220-A4	23.0	50	M22	8.0	A4 s/s
P0336.240-A4	25.0	50	M24	10.0	A4 s/s
P0336.270-A4	28.0	60	M27	10.0	A4 s/s
P0336.300-A4	31.0	68	M30	10.0	A4 s/s



**P0336.ZP**



**Material**  
Steel, zinc-plated.

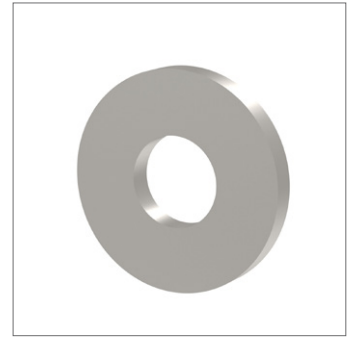
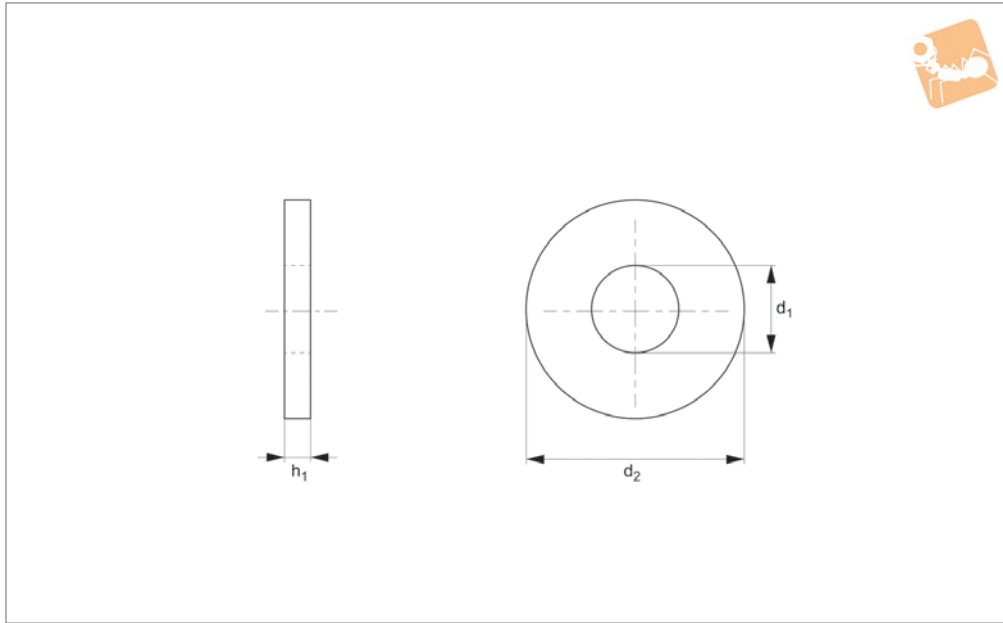
**Technical Notes**  
To DIN 7349.

Order No.	$d_1$	$d_2$	For thread	$h$	Material
P0336.030-ZP	3.2	9	M 3	1.0	Steel ZP
P0336.040-ZP	4.3	12	M 4	1.6	Steel ZP
P0336.050-ZP	5.3	15	M 5	2.0	Steel ZP
P0336.060-ZP	6.4	17	M 6	3.0	Steel ZP
P0336.080-ZP	8.4	21	M 8	4.0	Steel ZP
P0336.100-ZP	10.5	25	M10	4.0	Steel ZP
P0336.120-ZP	13.0	30	M12	6.0	Steel ZP
P0336.140-ZP	15.0	36	M14	6.0	Steel ZP
P0336.160-ZP	17.0	40	M16	6.0	Steel ZP
P0336.180-ZP	19.0	44	M18	8.0	Steel ZP
P0336.200-ZP	21.0	44	M20	8.0	Steel ZP
P0336.220-ZP	23.0	50	M22	8.0	Steel ZP
P0336.240-ZP	25.0	50	M24	10.0	Steel ZP
P0336.270-ZP	28.0	60	M27	10.0	Steel ZP
P0336.300-ZP	31.0	68	M30	10.0	Steel ZP



# Heavy Flat Washers

Heavy - steel, self-coloured



**P0336.SC**

FLAT WASHERS

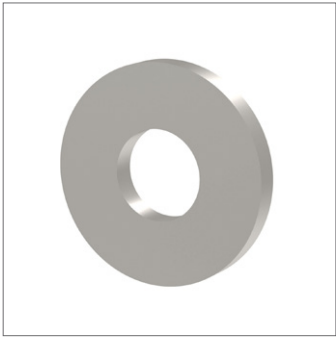
**Material**

Steel, self-colour.

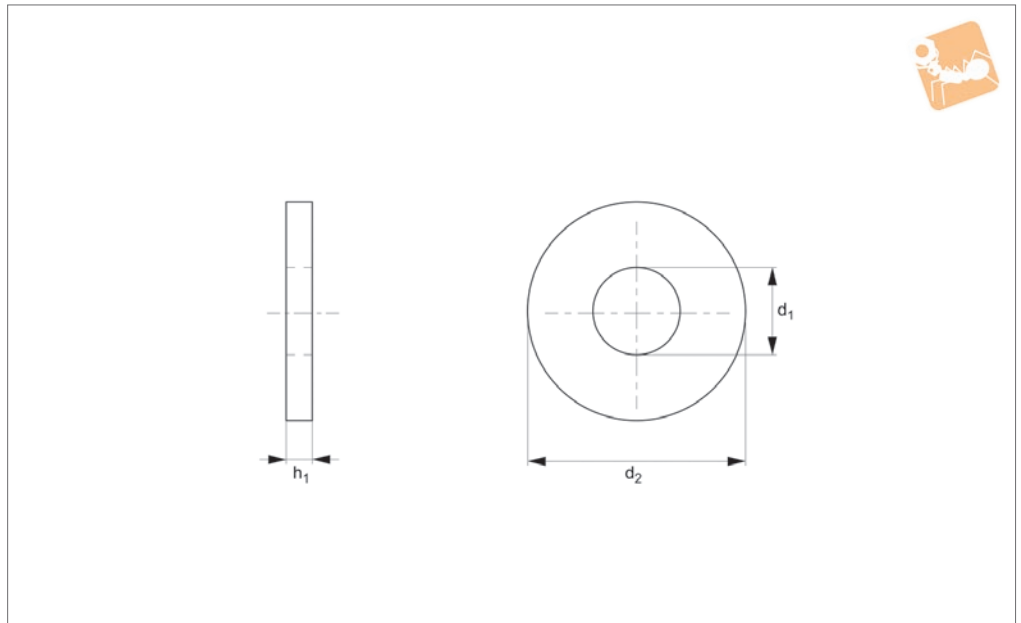
**Technical Notes**

To DIN 7349.

Order No.	d <sub>1</sub>	d <sub>2</sub>	For thread	h	Material
P0336.030-SC	3.2	9	M 3	1.0	Steel SC
P0336.040-SC	4.3	12	M 4	1.6	Steel SC
P0336.050-SC	5.3	15	M 5	2.0	Steel SC
P0336.060-SC	6.4	17	M 6	3.0	Steel SC
P0336.080-SC	8.4	21	M 8	4.0	Steel SC
P0336.100-SC	10.5	25	M10	4.0	Steel SC
P0336.120-SC	13.0	30	M12	6.0	Steel SC
P0336.140-SC	15.0	36	M14	6.0	Steel SC
P0336.160-SC	17.0	40	M16	6.0	Steel SC
P0336.180-SC	19.0	44	M18	8.0	Steel SC
P0336.200-SC	21.0	44	M20	8.0	Steel SC
P0336.220-SC	23.0	50	M22	8.0	Steel SC
P0336.240-SC	25.0	50	M24	10.0	Steel SC
P0336.270-SC	28.0	60	M27	10.0	Steel SC
P0336.300-SC	31.0	68	M30	10.0	Steel SC



**P0337.A2**



**Material**

Stainless steel (A2).

**Technical Notes**

To DIN 9021, ISO 7093.

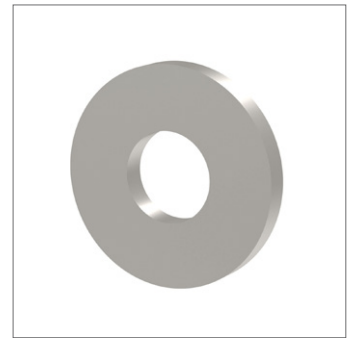
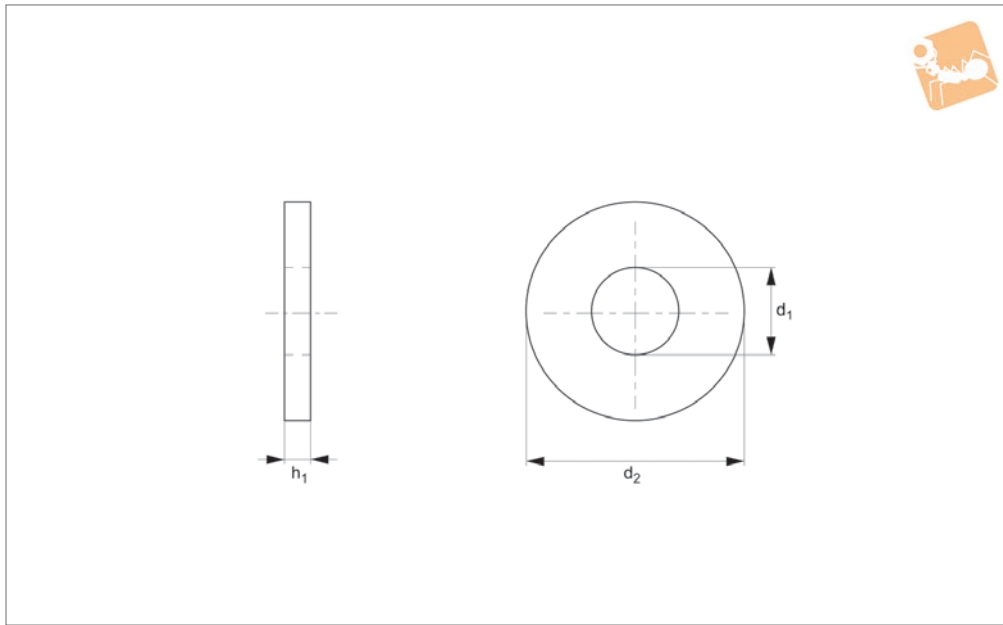
Order No.	For thread	$d_1$	$d_2$	$h_1$	Material
P0337.020-A2	M 2	2.2	6	0.8	A2 s/s
P0337.025-A2	M2,5	2.7	8	0.8	A2 s/s
P0337.030-A2	M 3	3.2	9	0.8	A2 s/s
P0337.035-A2	M3,5	3.7	11	0.8	A2 s/s
P0337.040-A2	M 4	4.3	12	1.0	A2 s/s
P0337.050-A2	M 5	5.3	15	1.2	A2 s/s
P0337.060-A2	M 6	6.4	18	1.6	A2 s/s
P0337.070-A2	M 7	7.4	22	2.0	A2 s/s
P0337.080-A2	M 8	8.4	24	2.0	A2 s/s
P0337.100-A2	M10	10.5	30	2.5	A2 s/s
P0337.120-A2	M12	13.0	37	3.0	A2 s/s
P0337.140-A2	M14	15.0	44	3.0	A2 s/s
P0337.160-A2	M16	17.0	50	3.0	A2 s/s
P0337.180-A2	M18	20.0	56	4.0	A2 s/s
P0337.200-A2	M20	22.0	60	4.0	A2 s/s
P0337.240-A2	M24	26.0	72	5.0	A2 s/s
P0337.300-A2	M30	33.0	92	6.0	A2 s/s
P0337.360-A2	M36	39.0	110	8.0	A2 s/s





# Large Diameter Washers

Large diameter - A4 stainless



**P0337.A4**

FLAT WASHERS

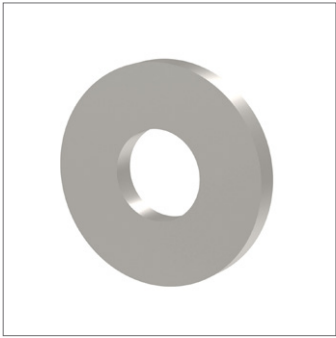
### Material

Stainless steel (A4).

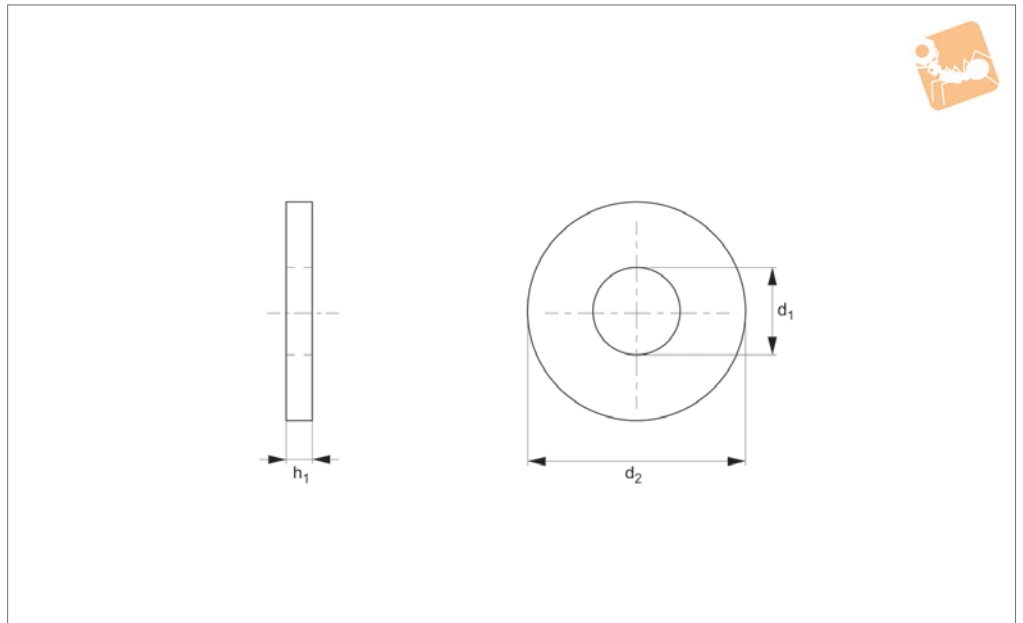
### Technical Notes

To DIN 9021, ISO 7093.

Order No.	For thread	d <sub>1</sub>	d <sub>2</sub>	h <sub>1</sub>	Material
P0337.020-A4	M 2	2.2	6	0.8	A4 s/s
P0337.025-A4	M2,5	2.7	8	0.8	A4 s/s
P0337.030-A4	M 3	3.2	9	0.8	A4 s/s
P0337.035-A4	M3,5	3.7	11	0.8	A4 s/s
P0337.040-A4	M 4	4.3	12	1.0	A4 s/s
P0337.050-A4	M 5	5.3	15	1.2	A4 s/s
P0337.060-A4	M 6	6.4	18	1.6	A4 s/s
P0337.070-A4	M 7	7.4	22	2.0	A4 s/s
P0337.080-A4	M 8	8.4	24	2.0	A4 s/s
P0337.100-A4	M10	10.5	30	2.5	A4 s/s
P0337.120-A4	M12	13.0	37	3.0	A4 s/s
P0337.140-A4	M14	15.0	44	3.0	A4 s/s
P0337.160-A4	M16	17.0	50	3.0	A4 s/s
P0337.180-A4	M18	20.0	56	4.0	A4 s/s
P0337.200-A4	M20	22.0	60	4.0	A4 s/s
P0337.240-A4	M24	26.0	72	5.0	A4 s/s
P0337.300-A4	M30	33.0	92	6.0	A4 s/s
P0337.360-A4	M36	39.0	110	8.0	A4 s/s



**P0337.BR**



**Material**  
Brass.

**Technical Notes**  
To DIN 9021, ISO 7093.

Order No.	For thread	$d_1$	$d_2$	$h_1$	Material
P0337.030-BR	M 3	3.2	9	0.8	Brass
P0337.040-BR	M 4	4.3	12	1.0	Brass
P0337.050-BR	M 5	5.3	15	1.2	Brass
P0337.060-BR	M 6	6.4	18	1.6	Brass
P0337.080-BR	M 8	8.4	24	2.0	Brass
P0337.100-BR	M10	10.5	30	2.5	Brass
P0337.120-BR	M12	13.0	37	3.0	Brass
P0337.140-BR	M14	15.0	44	3.0	Brass
P0337.160-BR	M16	17.0	50	3.0	Brass
P0337.200-BR	M20	22.0	60	4.0	Brass