

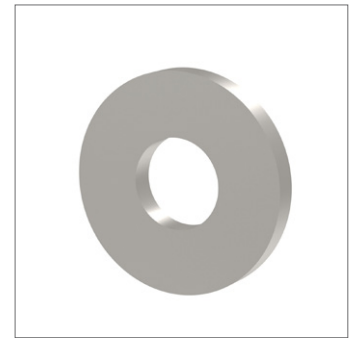
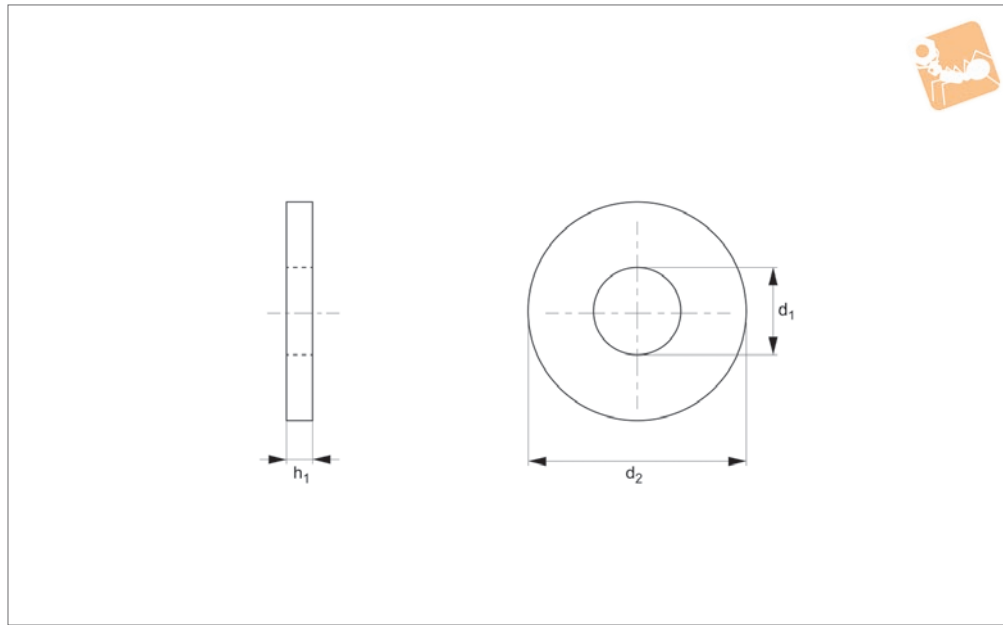


Flat Washers Form B

A2 stainless



Flat Washers



P0331.A2

FLAT WASHERS

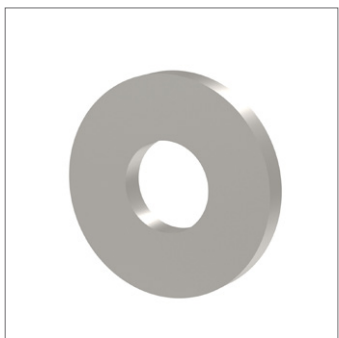
Material

Stainless steel (A2).

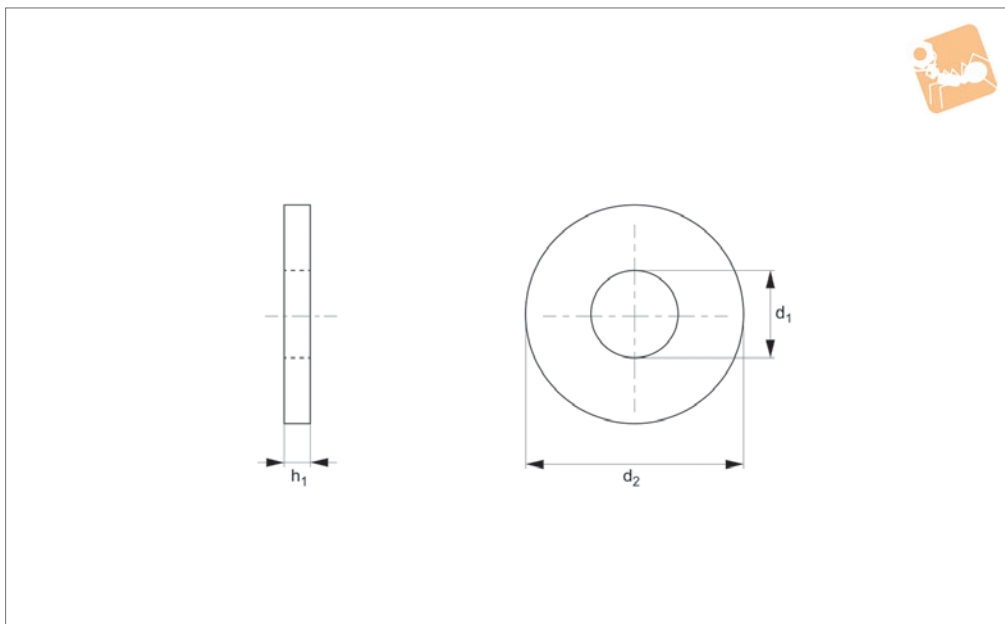
Technical Notes

To DIN 125 B, BS4320B.

Order No.	For thread	d_1	h_1	d_2	Material
P0331.050-A2	M 5	5.3	0.8	10	A2 s/s
P0331.060-A2	M 6	6.4	0.8	12.5	A2 s/s
P0331.070-A2	M 7	7.4	0.8	14	A2 s/s
P0331.080-A2	M 8	8.4	1.0	17	A2 s/s
P0331.100-A2	M10	10.5	1.25	21	A2 s/s
P0331.120-A2	M12	13.0	1.6	24	A2 s/s
P0331.140-A2	M14	15.0	1.6	28	A2 s/s
P0331.160-A2	M16	17.0	2.0	30	A2 s/s
P0331.180-A2	M18	19.0	2.0	34	A2 s/s
P0331.200-A2	M20	21.0	2.0	37	A2 s/s
P0331.220-A2	M22	23.0	2.0	39	A2 s/s
P0331.240-A2	M24	25.0	2.5	44	A2 s/s
P0331.270-A2	M27	28.0	2.5	50	A2 s/s
P0331.300-A2	M30	31.0	2.5	56	A2 s/s



P0331.A4



Material

Stainless steel (A4).

Technical Notes

To DIN 125 B, BS4320B.

Order No.	For thread	d_1	h_1	d_2	Material
P0331.050-A4	M 5	5.3	0.8	10	A4 s/s
P0331.060-A4	M 6	6.4	0.8	12.5	A4 s/s
P0331.070-A4	M 7	7.4	0.8	14	A4 s/s
P0331.080-A4	M 8	8.4	1.0	17	A4 s/s
P0331.100-A4	M10	10.5	1.25	21	A4 s/s
P0331.120-A4	M12	13.0	1.6	24	A4 s/s
P0331.140-A4	M14	15.0	1.6	28	A4 s/s
P0331.160-A4	M16	17.0	2.0	30	A4 s/s
P0331.180-A4	M18	19.0	2.0	34	A4 s/s
P0331.200-A4	M20	21.0	2.0	37	A4 s/s
P0331.220-A4	M22	23.0	2.0	39	A4 s/s
P0331.240-A4	M24	25.0	2.5	44	A4 s/s
P0331.270-A4	M27	28.0	2.5	50	A4 s/s
P0331.300-A4	M30	31.0	2.5	56	A4 s/s

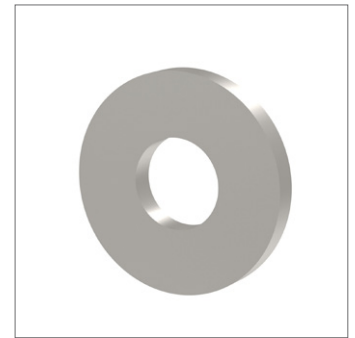
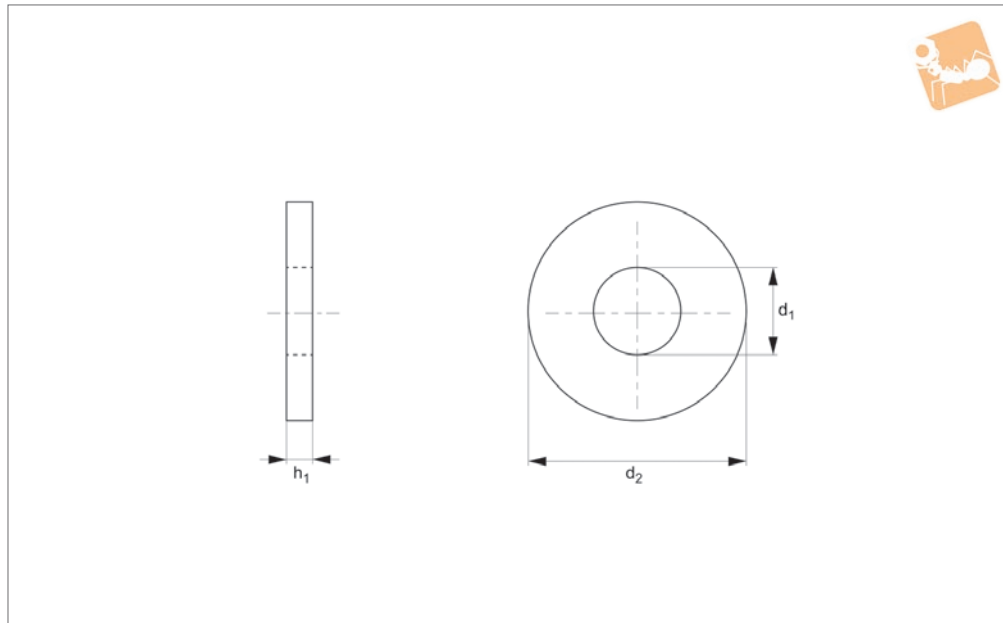


Flat Washers Form B

Steel, zinc-plated



Flat Washers



P0331.ZP

FLAT WASHERS

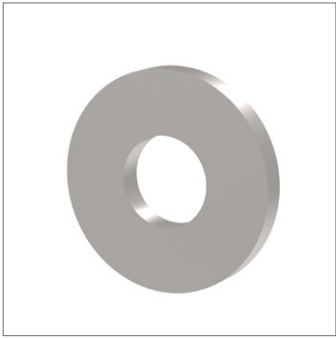
Material

Steel, zinc-plated.

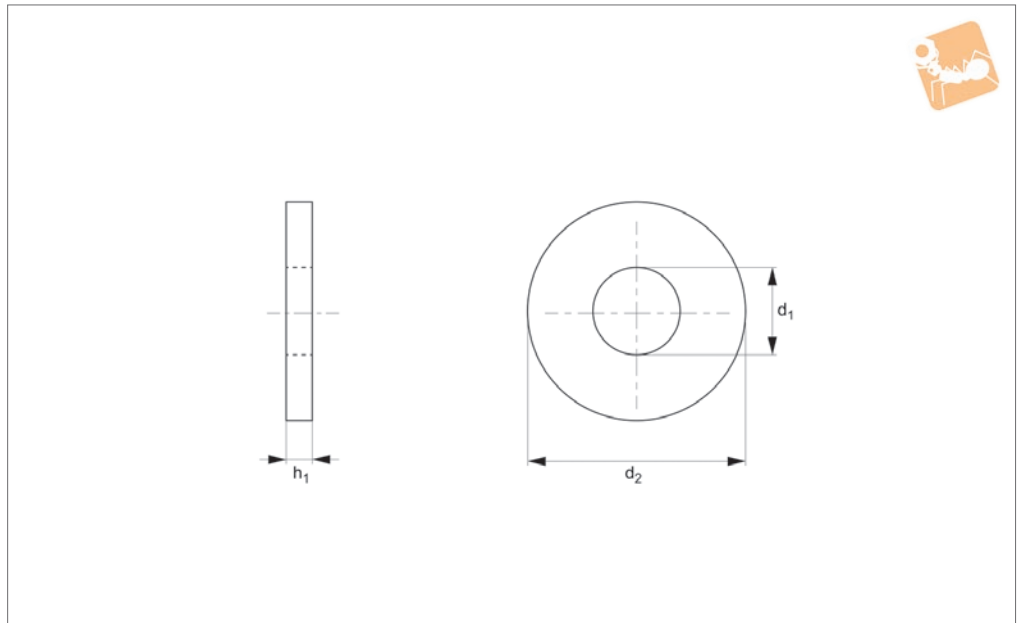
Technical Notes

To DIN 125 B, BS4320B.

Order No.	For thread	d_1	h_1	d_2	Material
P0331.050-ZP	M 5	5.3	0.8	10	Steel ZP
P0331.060-ZP	M 6	6.4	0.8	12.5	Steel ZP
P0331.070-ZP	M 7	7.4	0.8	14	Steel ZP
P0331.080-ZP	M 8	8.4	1.0	17	Steel ZP
P0331.100-ZP	M10	10.5	1.25	21	Steel ZP
P0331.120-ZP	M12	13.0	1.6	24	Steel ZP
P0331.140-ZP	M14	15.0	1.6	28	Steel ZP
P0331.160-ZP	M16	17.0	2.0	30	Steel ZP
P0331.180-ZP	M18	19.0	2.0	34	Steel ZP
P0331.200-ZP	M20	21.0	2.0	37	Steel ZP
P0331.220-ZP	M22	23.0	2.0	39	Steel ZP
P0331.240-ZP	M24	25.0	2.5	44	Steel ZP
P0331.270-ZP	M27	28.0	2.5	50	Steel ZP
P0331.300-ZP	M30	31.0	2.5	56	Steel ZP



P0331.BR



Material

Brass.

Technical Notes

To DIN 125 B, BS4320B.

Order No.	For thread	d_1	h_1	d_2	Material
P0331.080-BR	M 8	8.4	1.6	16	Brass
P0331.100-BR	M10	10.5	2.0	20	Brass
P0331.120-BR	M12	13.0	2.5	24	Brass
P0331.160-BR	M16	17.0	3.0	30	Brass
P0331.180-BR	M18	19.0	3.0	34	Brass
P0331.200-BR	M20	21.0	3.0	37	Brass
P0331.220-BR	M22	23.0	3.0	39	Brass
P0331.240-BR	M24	25.0	4.0	44	Brass
P0331.270-BR	M27	28.0	4.0	50	Brass
P0331.300-BR	M30	31.0	4.0	56	Brass