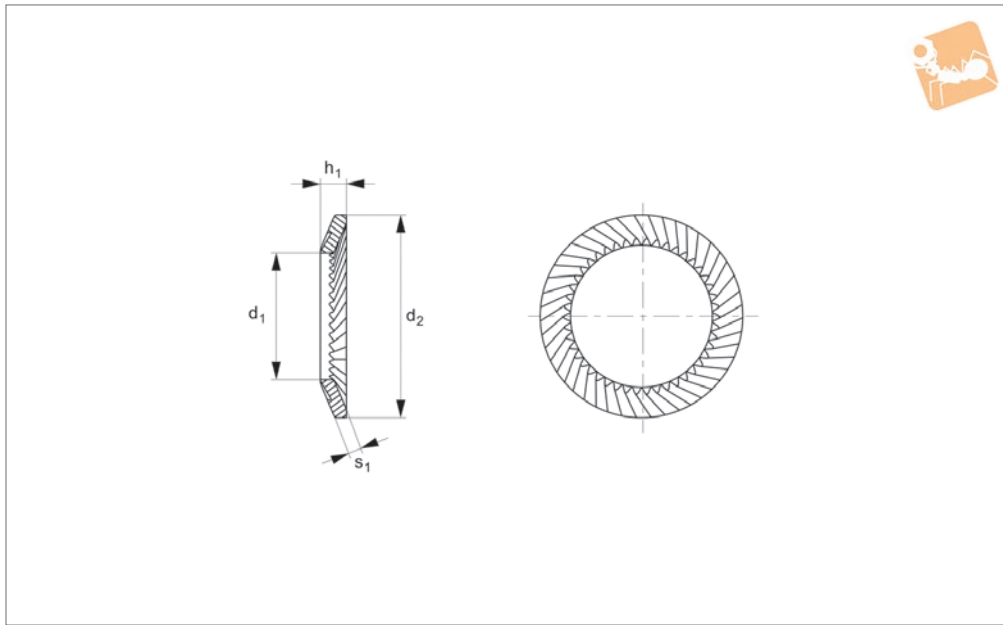




Schnorr Safety Washers

A2 stainless



P0363.A2

FLAT WASHERS

Material

Stainless steel (A2).

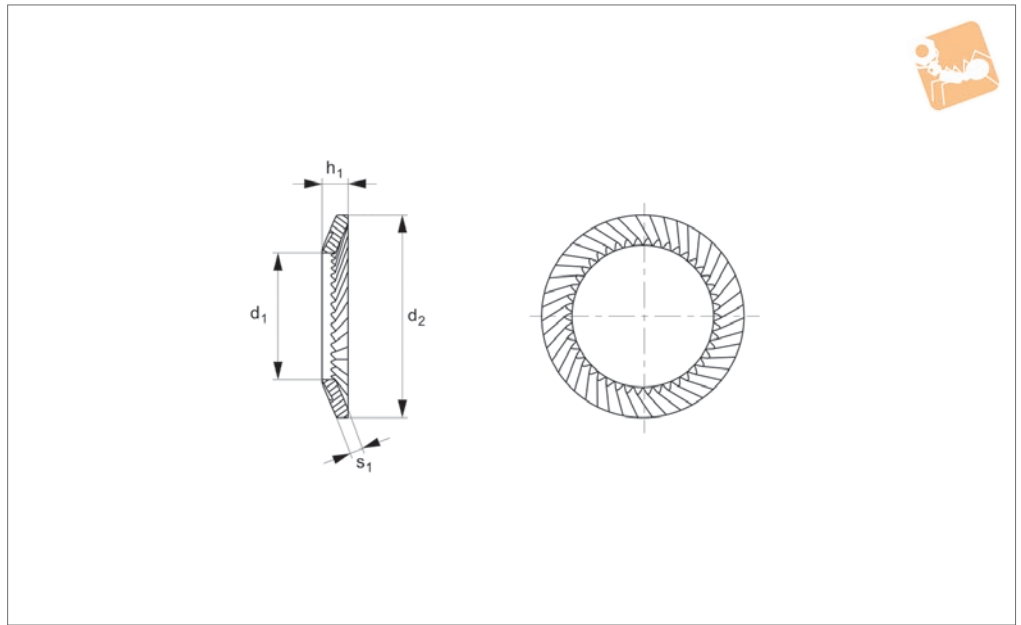
Technical Notes

To DIN 17222. Can be used with screws of class 8 and 8.8

Order No.	For thread	d ₁	d ₂	h ₁	s ₁	Material
P0363.025-A2	M2,5	2.7	4.8	0.90	0.45	A2 s/s
P0363.030-A2	M 3	3.2	5.5	0.85	0.45	A2 s/s
P0363.040-A2	M 4	4.3	7.0	0.95	0.50	A2 s/s
P0363.050-A2	M 5	5.3	9.0	1.05	0.60	A2 s/s
P0363.060-A2	M 6	6.4	10.0	1.20	0.70	A2 s/s
P0363.080-A2	M 8	8.4	13.0	1.40	0.80	A2 s/s
P0363.100-A2	M10	10.5	16.0	1.60	1.00	A2 s/s
P0363.120-A2	M12	13.0	18.0	1.70	1.00	A2 s/s
P0363.140-A2	M14	15.0	21.0	2.00	1.20	A2 s/s
P0363.160-A2	M16	17.0	24.0	2.10	1.20	A2 s/s
P0363.200-A2	M20	21.0	30.0	2.50	1.40	A2 s/s
P0363.240-A2	M24	26.0	36.0	2.90	1.60	A2 s/s
P0363.300-A2	M30	32.0	45.0	3.60	2.00	A2 s/s



P0363.SC



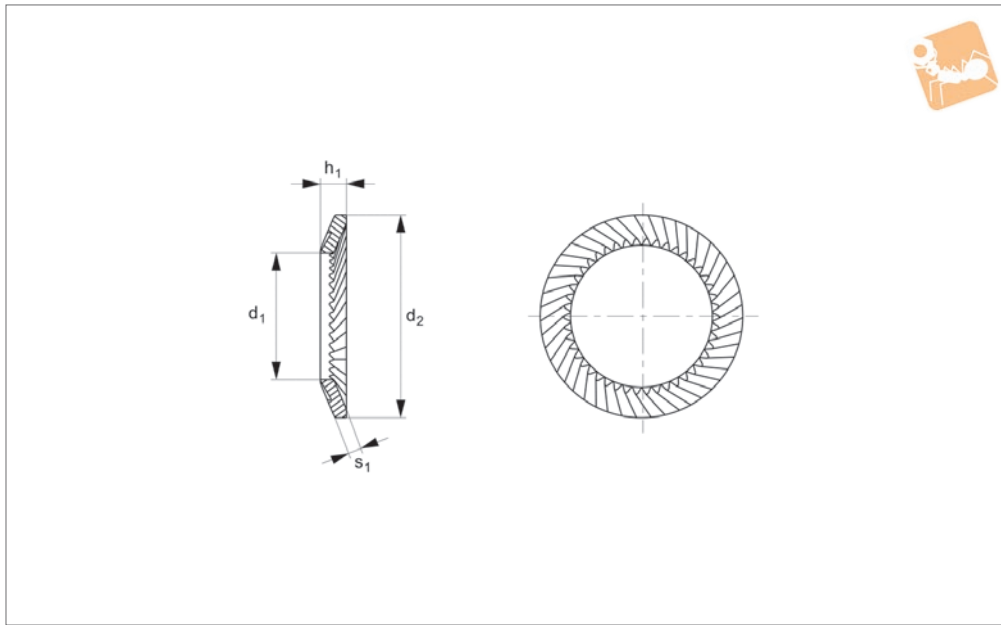
Material

Steel, self-coloured.

Technical Notes

To DIN 17222. Can be used with screws of class 8 and 8.8

Order No.	For thread	d ₁	d ₂	h	Material
P0363.030-SC	M 3	3.2	5.5	0.9	Steel SC
P0363.040-SC	M 4	4.3	7.0	1.0	Steel SC
P0363.050-SC	M 5	5.3	9.0	1.1	Steel SC
P0363.060-SC	M 6	6.4	10.0	1.2	Steel SC
P0363.080-SC	M 8	8.4	13.0	1.4	Steel SC
P0363.100-SC	M10	10.5	16.0	1.6	Steel SC
P0363.120-SC	M12	13.0	18.0	1.7	Steel SC
P0363.140-SC	M14	15.0	22.0	2.0	Steel SC
P0363.160-SC	M16	17.0	24.0	2.1	Steel SC
P0363.180-SC	M18	19.0	27.0	2.3	Steel SC
P0363.200-SC	M20	21.0	30.0	2.5	Steel SC
P0363.220-SC	M22	23.0	33.0	2.7	Steel SC
P0363.240-SC	M24	26.0	36.0	2.9	Steel SC
P0363.270-SC	M27	29.0	39.0	3.1	Steel SC
P0363.300-SC	M30	32.0	45.0	3.6	Steel SC



P0363.GV

FLAT WASHERS

Material

Steel, galvanised.

Technical Notes

To DIN 17222. Can be used with screws of class 8 and 8.8

Order No.	For thread	d ₁	d ₂	h ₁	s ₁	Material
P0363.030-GV	M 3	3.2	5.5	0.85	0.45	Steel GV
P0363.040-GV	M 4	4.3	7.0	0.95	0.50	Steel GV
P0363.050-GV	M 5	5.3	9.0	1.05	0.60	Steel GV
P0363.060-GV	M 6	6.4	10.0	1.20	0.70	Steel GV
P0363.080-GV	M 8	8.4	13.0	1.40	0.80	Steel GV
P0363.100-GV	M10	10.5	16.0	1.60	1.00	Steel GV
P0363.120-GV	M12	13.0	18.0	1.70	1.00	Steel GV
P0363.140-GV	M14	15.0	21.0	2.00	1.20	Steel GV
P0363.160-GV	M16	17.0	24.0	2.10	1.20	Steel GV
P0363.180-GV	M18	19.0	27.0	2.30	1.40	Steel GV
P0363.200-GV	M20	21.0	30.0	2.50	1.40	Steel GV
P0363.220-GV	M22	23.0	33.0	2.70	1.40	Steel GV
P0363.240-GV	M24	25.6	36.0	2.90	1.60	Steel GV
P0363.270-GV	M27	28.6	39.0	3.10	2.00	Steel GV
P0363.300-GV	M30	31.6	45.0	3.60	2.00	Steel GV