



Blanking Plugs Heavy Duty

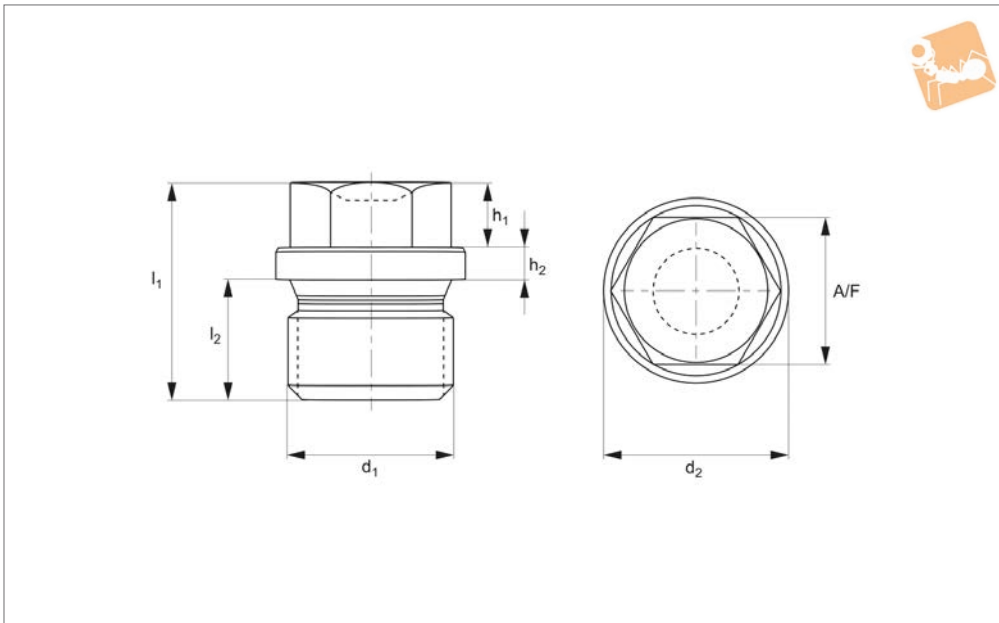
metric & BSPP

Blanking Plugs



P0182

BLANKING PLUGS



Material

Steel (self-colour & zinc-plated), stainless steel (A2 & A4), and brass.

are fine threads.

Inch threads beginning with „G“ indicate BSPP (British Standard Pipe Parallel threads ISO 228).

pressure, temperature, and material pairing

Also available on request with O rings (NBR, Viton, EPDM, Silicone etc), permanent magnet, and polyamide melt seal under head.

Technical Notes

To DIN 910. Most metric screw plug threads

Tips

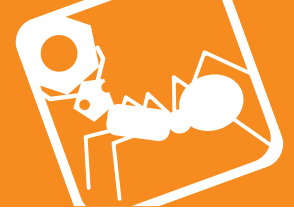
Tightening torque is dependent on fluid,

Order No.	d ₁ x p	d ₂ tol. h14	h ₁	h ₂	l ₁	l ₂ ±0.2	A/F	Material
P0182.100-100-SC	M10 x1,0	14	6	3	17	8	10	Steel SC
P0182.080-100-SC	M 8 x1,0	14	6	3	17	8	10	Steel SC
P0182.120-150-SC	M12 x1,5	17	6	3	21	12	13	Steel SC
P0182.140-150-SC	M14 x1,5	19	6	3	21	12	13	Steel SC
P0182.160-150-SC	M16 x1,5	21	6	3	21	12	17	Steel SC
P0182.180-150-SC	M18 x1,5	23	8	4	24	12	17	Steel SC
P0182.200-150-SC	M20 x1,5	25	8	4	26	14	19	Steel SC
P0182.220-150-SC	M22 x1,5	27	8	4	26	14	19	Steel SC
P0182.240-150-SC	M24 x1,5	29	9	4	27	14	22	Steel SC
P0182.260-150-SC	M26 x1,5	31	10	4	30	16	24	Steel SC
P0182.270-200-SC	M27 x2,0	32	10	4	30	16	24	Steel SC
P0182.300-150-SC	M30 x1,5	36	11	5	30	16	24	Steel SC
P0182.300-200-SC	M30 x2,0	36	11	5	32	16	24	Steel SC
P0182.330-200-SC	M33 x2,0	39	11	5	32	16	27	Steel SC
P0182.360-150-SC	M36 x1,5	42	11	5	32	16	27	Steel SC
P0182.360-200-SC	M36 x2,0	42	11	5	32	16	27	Steel SC
P0182.380-150-SC	M38 x1,5	44	11	5	32	16	27	Steel SC
P0182.390-200-SC	M39 x2	44	11	5	32	16	27	Steel SC
P0182.420-150-SC	M42 x1,5	49	12	5	33	16	30	Steel SC
P0182.420-200-SC	M42 x2,0	49	12	5	33	16	30	Steel SC
P0182.450-150-SC	M45 x1,5	52	12	5	33	16	30	Steel SC
P0182.450-200-SC	M45 x2	52	12	5	33	16	30	Steel SC
P0182.480-150-SC	M48 x1,5	52	12	5	33	16	30	Steel SC
P0182.480-200-SC	M48 x2,0	55	12	5	33	16	30	Steel SC
P0182.520-200-SC	M52 x2,0	60	12	5	33	16	30	Steel SC
P0182.520-150-SC	M52 x1,5	60	12	5	33	16	30	Steel SC
P0182.560-200-SC	M56 x2,0	64	12	5	40	20	36	Steel SC
P0182.600-200-SC	M60 x2,0	72	15	5	40	20	36	Steel SC
P0182.640-200-SC	M64 x2,0	72	15	5	40	20	36	Steel SC
P0182.G1/8-SC	G1/8"	14	6	3	17	8	10	Steel SC
P0182.G1/4-SC	G1/4"	18	6	3	21	12	13	Steel SC



Blanking Plugs

Blanking Plugs Heavy Duty metric & BSPP



BLANKING PLUGS

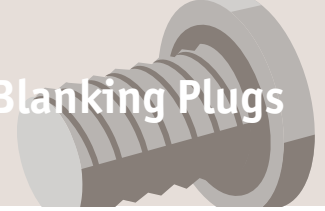
Order No.	d ₁ x p	d ₂ tol. h14	h ₁	h ₂	l ₁	l ₂ ±0.2	A/F	Material
P0182.G1/4x8-SC	G1/4"x8	18	6	3	21	12	13	Steel SC
P0182.G3/8-SC	G3/8"	22	6	3	21	12	17	Steel SC
P0182.G3/8x8-SC	G3/8"x8	22	6	3	17	8	17	Steel SC
P0182.G1/2-SC	G1/2"	26	8	4	26	14	19	Steel SC
P0182.G1/1x10-SC	G1/1"x10	26	8	4	22	10	19	Steel SC
P0182.G1/2x10-SC	G1/2"x10	26	8	4	22	10	19	Steel SC
P0182.G3/4-SC	G3/4"	32	10	4	30	16	24	Steel SC
P0182.G3/4x12-SC	G3/4"x12	32	10	4	26	12	24	Steel SC
P0182.G5/8-SC	G5/8"	28	10	4	30	16	24	Steel SC
P0182.G1-SC	G1"	39	11	5	32	16	27	Steel SC
P0182.G1-1/8-SC	G1-1/8"	44	11	5	32	16	27	Steel SC
P0182.G1-1/4-SC	G1-1/4"	49	12	5	33	16	30	Steel SC
P0182.G1-1/2-SC	G1-1/2"	55	12	5	33	16	30	Steel SC
P0182.G1-3/4-SC	G1-3/4"	62	10	4	40	20	24	Steel SC
P0182.G2-SC	G2"	68	15	5	40	20	36	Steel SC
P0182.G2-1/2-SC	G2-1/2"	85	15	5	40	20	36	Steel SC
P0182.G3-SC	G3	85	15	5	40	20	36	Steel SC
P0182.080-100-ZP	M 8 x1,0	14	6	3	17	8	10	Steel ZP
P0182.100-100-ZP	M10 x1,0	14	6	3	17	8	10	Steel ZP
P0182.120-100-ZP	M12 x1	17	6	3	21	12	13	Steel ZP
P0182.120-150-ZP	M12 x1,5	17	6	3	21	12	13	Steel ZP
P0182.140-150-ZP	M14 x1,5	19	6	3	21	12	13	Steel ZP
P0182.160-150-ZP	M16 x1,5	21	6	3	21	12	17	Steel ZP
P0182.180-150-ZP	M18 x1,5	23	8	4	24	12	17	Steel ZP
P0182.200-150-ZP	M20 x1,5	25	8	4	26	14	19	Steel ZP
P0182.220-150-ZP	M22 x1,5	27	8	4	26	14	19	Steel ZP
P0182.240-150-ZP	M24 x1,5	29	9	4	27	14	22	Steel ZP
P0182.260-150-ZP	M26 x1,5	31	10	4	30	16	24	Steel ZP
P0182.270-200-ZP	M27 x2,0	32	10	4	30	16	24	Steel ZP
P0182.300-150-ZP	M30 x1,5	36	11	5	30	16	24	Steel ZP
P0182.300-200-ZP	M30 x2,0	36	11	5	32	16	24	Steel ZP
P0182.330-200-ZP	M33 x2,0	39	11	5	32	16	27	Steel ZP
P0182.360-150-ZP	M36 x1,5	42	11	5	32	16	27	Steel ZP
P0182.360-200-ZP	M36 x2,0	42	11	5	32	16	27	Steel ZP
P0182.380-150-ZP	M38 x1,5	42	11	5	32	16	27	Steel ZP
P0182.390-200-ZP	M39 x2,0	42	11	5	32	16	27	Steel ZP
P0182.450-200-ZP	M45 x2,0	42	11	5	32	16	27	Steel ZP
P0182.480-150-ZP	M48 x1,5	42	11	5	32	16	27	Steel ZP
P0182.520-200-ZP	M52 x2,0	42	11	5	32	16	27	Steel ZP
P0182.G1/8-ZP	G1/8"	14	6	3	17	8	10	Steel ZP
P0182.G1/4-ZP	G1/4"	18	6	3	21	12	13	Steel ZP
P0182.G1/4x8-ZP	G1/4"x8	18	6	3	21	12	13	Steel ZP
P0182.G3/8-ZP	G3/8"	22	6	3	21	12	17	Steel ZP
P0182.G3/8x8-ZP	G3/8"x8	22	6	3	17	8	17	Steel ZP
P0182.G1/2-ZP	G1/2"	26	8	4	26	14	19	Steel ZP
P0182.G1/1x10-ZP	G1/1"x10	26	8	4	22	10	19	Steel ZP
P0182.G1/2x10-ZP	G1/2"x10	26	8	4	22	10	19	Steel ZP
P0182.G5/8-ZP	G5/8"	28	10	4	30	16	24	Steel ZP
P0182.G3/4-ZP	G3/4"	32	10	4	30	16	24	Steel ZP
P0182.G3/4x12-ZP	G3/4"x12	32	10	4	26	12	24	Steel ZP
P0182.G7/8-ZP	G7/8	32	10	4	26	12	24	Steel ZP
P0182.G1-ZP	G1"	39	11	5	32	16	27	Steel ZP
P0182.G1-1/8-ZP	G1-1/8"	44	11	5	32	16	27	Steel ZP
P0182.G1-1/4-ZP	G1-1/4"	49	12	5	33	16	30	Steel ZP
P0182.G1-1/2-ZP	G1-1/2"	55	12	5	33	16	30	Steel ZP
P0182.G1-3/4-ZP	G1-3/4"	55	12	5	33	16	30	Steel ZP
P0182.G2-ZP	G2	55	12	5	33	16	30	Steel ZP
P0182.G2-1/2-ZP	G2-1/2	55	12	5	33	16	30	Steel ZP
P0182.G3-ZP	G3	55	12	5	33	16	30	Steel ZP
P0182.G1/8-A4	G1/8"	14	6	3	17	8	10	A4 s/s
P0182.G1/4-A4	G1/4"	18	6	3	21	12	13	A4 s/s
P0182.G1/4x8-A4	G1/4"x8	18	6	3	21	12	13	A4 s/s
P0182.G3/8-A4	G3/8"	22	6	3	21	12	17	A4 s/s
P0182.G3/8x8-A4	G3/8"x8	22	6	3	17	8	17	A4 s/s
P0182.G1/2-A4	G1/2"	26	8	4	26	14	19	A4 s/s
P0182.G1/2x10-A4	G1/2"x10	26	8	4	22	10	19	A4 s/s
P0182.G5/8-A4	G5/8"	28	10	4	30	16	24	A4 s/s
P0182.G3/4-A4	G3/4"	32	10	4	30	16	24	A4 s/s



Blanking Plugs Heavy Duty

metric & BSPP

Blanking Plugs



Order No.	d ₁ x p	d ₂ tol. h14	h ₁	h ₂	l ₁	l ₂ ±0.2	A/F	Material
P0182.G3/4x12-A4	G3/4"x12	32	10	4	26	12	24	A4 s/s
P0182.G7/8-A4	G7/8	32	10	4	26	12	24	A4 s/s
P0182.G1-A4	G1"	39	11	5	32	16	27	A4 s/s
P0182.G1-1/8-A4	G1-1/8"	44	11	5	32	16	27	A4 s/s
P0182.G1-1/4-A4	G1-1/4"	49	12	5	33	16	30	A4 s/s
P0182.G1-1/2-A4	G1-1/2"	55	12	5	33	16	30	A4 s/s
P0182.G1-3/4-A4	G1-3/4	62	15	5	40	20	36	A4 s/s
P0182.G2-A4	G2"	68	15	5	40	20	36	A4 s/s
P0182.100-100-A4	M10 x1,0	14	6	3	17	8	10	A4 s/s
P0182.120-150-A4	M12 x1,5	17	6	3	21	12	13	A4 s/s
P0182.140-150-A4	M14 x1,5	19	6	3	21	12	13	A4 s/s
P0182.160-150-A4	M16 x1,5	21	6	3	21	12	17	A4 s/s
P0182.180-150-A4	M18 x1,5	23	8	4	24	12	17	A4 s/s
P0182.200-150-A4	M20 x1,5	25	8	4	26	14	19	A4 s/s
P0182.220-150-A4	M22 x1,5	27	8	4	26	14	19	A4 s/s
P0182.240-150-A4	M24 x1,5	29	9	4	27	14	22	A4 s/s
P0182.260-150-A4	M26 x1,5	31	10	4	30	16	24	A4 s/s
P0182.270-200-A4	M27 x2,0	32	10	4	30	16	24	A4 s/s
P0182.300-150-A4	M30 x1,5	36	11	5	30	16	24	A4 s/s
P0182.300-200-A4	M30 x2,0	36	11	5	32	16	24	A4 s/s
P0182.420-150-A4	M42 x1,5	36	11	5	32	16	24	A4 s/s
P0182.100-100-A2	M10 x1,0	14	6	3	17	8	10	A2 s/s
P0182.120-150-A2	M12 x1,5	17	6	3	21	12	13	A2 s/s
P0182.140-150-A2	M14 x1,5	19	6	3	21	12	13	A2 s/s
P0182.160-150-A2	M16 x1,5	21	6	3	21	12	17	A2 s/s
P0182.180-150-A2	M18 x1,5	23	8	4	24	12	17	A2 s/s
P0182.200-150-A2	M20 x1,5	25	8	4	26	14	19	A2 s/s
P0182.220-150-A2	M22 x1,5	27	8	4	26	14	19	A2 s/s
P0182.240-150-A2	M24 x1,5	29	9	4	27	14	22	A2 s/s
P0182.260-150-A2	M26 x1,5	31	10	4	30	16	24	A2 s/s
P0182.270-200-A2	M27 x2,0	32	10	4	30	16	24	A2 s/s
P0182.300-150-A2	M30 x1,5	36	11	5	30	16	24	A2 s/s
P0182.300-200-A2	M30 x2,0	36	11	5	32	16	24	A2 s/s
P0182.G1/8-A2	G1/8"	14	6	3	17	8	10	A2 s/s
P0182.G1/4-A2	G1/4"	18	6	3	21	12	13	A2 s/s
P0182.G3/8-A2	G3/8"	22	6	3	21	12	17	A2 s/s
P0182.G1/2-A2	G1/2"	26	8	4	26	14	19	A2 s/s
P0182.G5/8-A2	G5/8"	28	10	4	30	16	24	A2 s/s
P0182.G3/4-A2	G3/4"	32	10	4	30	16	24	A2 s/s
P0182.G1-A2	G1"	39	11	5	32	16	27	A2 s/s
P0182.G1-1/8-A2	G1-1/8"	44	11	5	32	16	27	A2 s/s
P0182.G1-1/4-A2	G1-1/4"	49	12	5	33	16	30	A2 s/s
P0182.G1-1/2-A2	G1-1/2"	55	12	5	33	16	30	A2 s/s
P0182.G1-3/4-A2	G1-3/4	62	15	5	40	20	36	A2 s/s
P0182.G2-A2	G2"	68	15	5	40	20	36	A2 s/s
P0182.080-100-BR	M 8 x1,0	14	6	3	17	8	10	Brass
P0182.100-100-BR	M10 x1,0	14	6	3	17	8	10	Brass
P0182.120-150-BR	M12 x1,5	17	6	3	21	12	13	Brass
P0182.140-150-BR	M14 x1,5	19	6	3	21	12	13	Brass
P0182.160-150-BR	M16 x1,5	21	6	3	21	12	17	Brass
P0182.180-150-BR	M18 x1,5	23	8	4	24	12	17	Brass
P0182.200-150-BR	M20 x1,5	25	8	4	26	14	19	Brass
P0182.220-150-BR	M22 x1,5	27	8	4	26	14	19	Brass
P0182.240-150-BR	M24 x1,5	29	9	4	27	14	22	Brass
P0182.260-150-BR	M26 x1,5	31	10	4	30	16	24	Brass
P0182.270-200-BR	M27 x2,0	32	10	4	30	16	24	Brass
P0182.300-150-BR	M30 x1,5	36	11	5	30	16	24	Brass
P0182.300-200-BR	M30 x2,0	36	11	5	32	16	24	Brass
P0182.330-200-BR	M33 x2,0	39	11	5	32	16	27	Brass
P0182.360-150-BR	M36 x1,5	42	11	5	32	16	27	Brass
P0182.360-200-BR	M36 x2	42	11	5	32	16	27	Brass
P0182.420-150-BR	M42 x1,5	49	12	5	33	16	30	Brass
P0182.G1/8-BR	G1/8"	14	6	3	17	8	10	Brass
P0182.G1/4-BR	G1/4"	18	6	3	21	12	13	Brass
P0182.G1/4x8-BR	G1/4"x8	18	6	3	21	12	13	Brass
P0182.G3/8-BR	G3/8"	22	6	3	21	12	17	Brass
P0182.G3/8x8-BR	G3/8"x8	22	6	3	17	8	17	Brass
P0182.G1/2-BR	G1/2"	26	8	4	26	14	19	Brass

BLANKING PLUGS



Order No.	d ₁ x p	d ₂ tol. h14	h ₁	h ₂	l ₁	l ₂ ±0.2	A/F	Material
P0182.G1/2x10-BR	G1/2"x10	26	8	4	22	10	19	Brass
P0182.G5/8-BR	G5/8"	28	10	4	30	16	24	Brass
P0182.G3/4-BR	G3/4"	32	10	4	30	16	24	Brass
P0182.G3/4X12-BR	G3/4"x12	32	10	4	26	12	24	Brass
P0182.G7/8-BR	G7/8"	32	10	4	26	12	24	Brass
P0182.G1-BR	G1"	39	11	5	32	16	27	Brass
P0182.G1-1/8-BR	G1-1/8"	44	11	5	32	16	27	Brass
P0182.G1-1/4-BR	G1-1/4"	49	12	5	33	16	30	Brass
P0182.G1-1/2-BR	G1-1/2"	55	12	5	33	16	30	Brass
P0182.G1-3/4-BR	G1-3/4"	62	15	5	40	20	36	Brass
P0182.G2-BR	G2"	68	15	5	40	20	36	Brass



Blanking Plugs with Collar

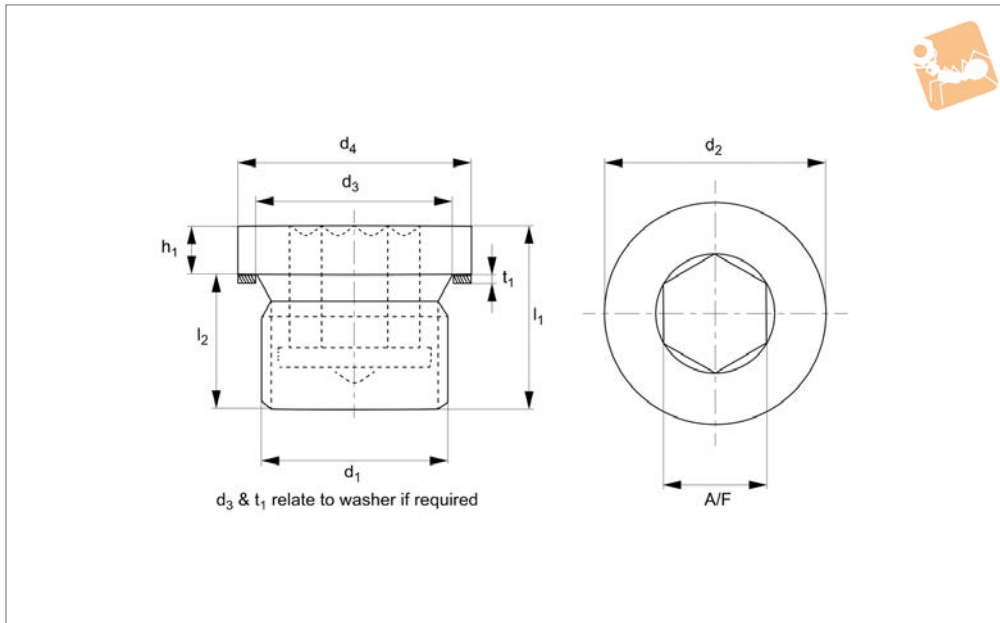
metric & BSPP

Blanking Plugs



P0183

BLANKING PLUGS



Material

Steel (self-colour & zinc-plated, class 5.8), stainless steel (A2 & A4), and brass.

Technical Notes

To DIN 908. Most metric screw plug threads are fine threads.

Inch threads beginning with „G“ indicate BSPP (British Standard Pipe Parallel

threads ISO 228).

For sealing washers (copper to DIN 7603A see part no. P0334).

Tightening torque is dependent on fluid, pressure, temperature, and material pairing.

Tips

Also available on request with O rings

(NBR, Viton, EPDM, Silicone etc), permanent magnet, and polyamide melt seal under head (PS).

ZP - Zinc Plated

A2 - A2 Stainless Steel

A4 - A4 Stainless Steel

BR - Brass

Order No.	d ₁ x p	d ₂ tol. h14	h ₁ ±0.5	d ₃	d ₄	l ₁	l ₂ ±0.2	t ₁	A/F	Material
P0183.080-100-ZP	M 8 x1,0	12	3	8.3	11.5	11	8	1.0	4	Zinc Plated
P0183.100-075-ZP	M10 x0,75	14	3	10.3	13.5	11	8	1.0	5	Zinc Plated
P0183.100-100-ZP	M10 x1,0	14	3	10.3	13.5	11	8	1.0	5	Zinc Plated
P0183.100-125-ZP	M10 x1,25	17	3	12.3	16.0	15	12	1.5	6	Zinc Plated
P0183.100-150-ZP	M10 x1,5	14	3	10.3	13.5	11	8	1.0	5	Zinc Plated
P0183.120-100-ZP	M12 x1	17	3	12.3	16.0	15	12	1.5	6	Zinc Plated
P0183.120-125-ZP	M12 x1,25	17	3	12.3	16.0	15	12	1.5	6	Zinc Plated
P0183.120-150-ZP	M12 x1,5	17	3	12.3	16.0	15	12	1.5	6	Zinc Plated
P0183.140-125-ZP	M14 x1,25	19	3	14.3	18.0	15	12	1.5	6	Zinc Plated
P0183.140-150-ZP	M14 x1,5	19	3	14.3	18.0	15	12	1.5	6	Zinc Plated
P0183.160-100-ZP	M16 x1	21	3	16.3	20.0	15	12	1.5	8	Zinc Plated
P0183.160-150-ZP	M16 x1,5	21	3	16.3	20.0	15	12	1.5	8	Zinc Plated
P0183.160-200-ZP	M16 x2	21	3	16.3	20.0	15	12	1.5	8	Zinc Plated
P0183.180-100-ZP	M18 x1	23	4	18.3	22.0	16	12	1.5	8	Zinc Plated
P0183.180-150-ZP	M18 x1,5	23	4	18.3	22.0	16	12	1.5	8	Zinc Plated
P0183.200-150-ZP	M20 x1,5	25	4	20.3	24.0	18	14	1.5	10	Zinc Plated
P0183.220-150-ZP	M22 x1,5	27	4	22.3	27.0	18	14	1.5	10	Zinc Plated
P0183.240-150-ZP	M24 x1,5	29	4	24.3	29.0	18	14	2.0	12	Zinc Plated
P0183.260-150-ZP	M26 x1,5	31	4	26.3	31.0	20	16	2.0	12	Zinc Plated
P0183.270-200-ZP	M27 x2,0	32	4	27.3	32.0	20	16	2.0	12	Zinc Plated
P0183.300-150-ZP	M30 x1,5	36	4	30.3	36.0	20	16	2.0	17	Zinc Plated
P0183.300-200-ZP	M30 x2,0	36	4	30.3	36.0	20	16	2.0	17	Zinc Plated
P0183.330-200-ZP	M33 x2,0	39	5	33.3	39.0	21	16	2.0	17	Zinc Plated
P0183.360-150-ZP	M36 x1,5	42	5	36.3	42.0	21	16	2.0	19	Zinc Plated
P0183.360-200-ZP	M36 x2	42	5	36.3	42.0	21	16	2.0	19	Zinc Plated
P0183.380-150-ZP	M38 x1,5	44	5	38.3	44.0	21	16	2.0	19	Zinc Plated
P0183.380-200-ZP	M38 x2	44	5	38.3	44.0	21	16	2.0	19	Zinc Plated
P0183.390-200-ZP	M32 x2	44	5	38.3	44.0	21	16	2.0	19	Zinc Plated
P0183.420-150-ZP	M42 x1,5	49	5	42.3	49.0	21	16	2.0	22	Zinc Plated



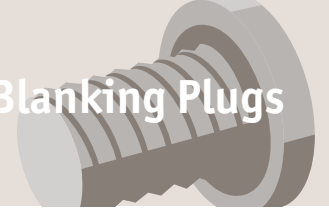
Order No.	d ₁ x p	d ₂ tol. h14	h ₁ ±0.5	d ₃	d ₄	l ₁	l ₂ ±0.2	t ₁	A/F	Material
P0183.420-200-ZP	M42 x2,0	49	5	42.3	49.0	21	16	2.0	22	Zinc Plated
P0183.450-150-ZP	M45 x1,5	55	5	48.3	55.0	21	16	2.0	24	Zinc Plated
P0183.450-200-ZP	M45 x2	55	5	48.3	55.0	21	16	2.0	24	Zinc Plated
P0183.480-150-ZP	M48 x1,5	55	5	48.3	55.0	21	16	2.0	24	Zinc Plated
P0183.480-200-ZP	M48 x2,0	55	5	48.3	55.0	21	16	2.0	24	Zinc Plated
P0183.520-150-ZP	M52 x1,5	60	5	52.3	60.0	21	16	2.0	24	Zinc Plated
P0183.520-200-ZP	M52 x2	60	5	52.3	60.0	21	16	2.0	24	Zinc Plated
P0183.560-200-ZP	M56 x2,0	64	5	56.3	64.0	25	20	2.0	32	Zinc Plated
P0183.600-200-ZP	M60 x2,0	68	5	60.3	68.0	25	20	2.0	32	Zinc Plated
P0183.640-200-ZP	M64 x2,0	72	5	64.3	72.0	25	20	2.0	32	Zinc Plated
P0183.G1/8-ZP	G1/8"	14	3	10.0	13.5	11	8	1	5	Zinc Plated
P0183.G1/4-ZP	G1/4"	18	3	13.4	18.0	15	12	1.5	6	Zinc Plated
P0183.G3/8-ZP	G3/8"	22	3	17.0	21.0	15	12	1.5	8	Zinc Plated
P0183.G1/2-ZP	G1/2"	26	4	21.3	26.0	18	14	1.5	10	Zinc Plated
P0183.G5/8-ZP	G5/8"	28	4	24.0	28.0	18	14	1.5	12	Zinc Plated
P0183.G3/4-ZP	G3/4"	32	4	26.7	32.0	20	16	2	12	Zinc Plated
P0183.G7/8-ZP	G7/8"	36	4	29.4	36.0	20	16	2	12	Zinc Plated
P0183.G1-ZP	G1"	39	5	33.5	39.0	21	16	2	17	Zinc Plated
P0183.G1-1/8-ZP	G1-1/8"	44	5	36.2	44.0	21	16	2	19	Zinc Plated
P0183.G1-1/4-ZP	G1 1/4"	49	5	42.2	49.0	21	16	2	22	Zinc Plated
P0183.G1-1/2-ZP	G1-1/2"	55	5	48.1	55.0	21	16	2	24	Zinc Plated
P0183.G1-3/4-ZP	G1-3/4"	62	5	51.8	62.0	25	20	2	32	Zinc Plated
P0183.G2-ZP	G2"	68	5	54.5	68.0	25	20	2	32	Zinc Plated
P0183.G2-1/2-ZP	G2-1/2"	68	5	54.5	68.0	25	20	2	32	Zinc Plated
P0183.G3-ZP	G3"	68	5	54.5	68.0	25	20	2	32	Zinc Plated
P0183.080-100-SC	M 8 x1,0	12	3	8.3	11.5	11	8	1.0	4	Self Colour
P0183.100-075-SC	M10 x0,75	14	3	10.3	13.5	11	8	1.0	5	Self Colour
P0183.100-100-SC	M10 x1,0	14	3	10.3	13.5	11	8	1.0	5	Self Colour
P0183.100-125-SC	M10 x1,25	14	3	10.3	13.5	11	8	1.0	5	Self Colour
P0183.100-150-SC	M10 x1,5	14	3	10.3	13.5	11	8	1.0	5	Self Colour
P0183.120-100-SC	M12 x1	17	3	12.3	16.0	15	12	1.5	6	Self Colour
P0183.120-125-SC	M12 x1,25	17	3	12.3	16.0	15	12	1.5	6	Self Colour
P0183.120-150-SC	M12 x1,5	17	3	12.3	16.0	15	12	1.5	6	Self Colour
P0183.140-125-SC	M14 x1,25	19	3	14.3	18.0	15	12	1.5	6	Self Colour
P0183.140-150-SC	M14 x1,5	19	3	14.3	18.0	15	12	1.5	6	Self Colour
P0183.160-100-SC	M16 x1	21	3	16.3	20.0	15	12	1.5	8	Self Colour
P0183.160-150-SC	M16 x1,5	21	3	16.3	20.0	15	12	1.5	8	Self Colour
P0183.160-200-SC	M16 x2	21	3	16.3	20.0	15	12	1.5	8	Self Colour
P0183.180-150-SC	M18 x1,5	23	4	18.3	22.0	16	12	1.5	8	Self Colour
P0183.200-150-SC	M20 x1,5	25	4	20.3	24.0	18	14	1.5	10	Self Colour
P0183.220-150-SC	M22 x1,5	27	4	22.3	27.0	18	14	1.5	10	Self Colour
P0183.240-150-SC	M24 x1,5	29	4	24.3	29.0	18	14	2.0	12	Self Colour
P0183.260-150-SC	M26 x1,5	31	4	26.3	31.0	20	16	2.0	12	Self Colour
P0183.270-200-SC	M27 x2,0	32	4	27.3	32.0	20	16	2.0	12	Self Colour
P0183.300-150-SC	M30 x1,5	36	4	30.3	36.0	20	16	2.0	17	Self Colour
P0183.300-200-SC	M30 x2,0	36	4	30.3	36.0	20	16	2.0	17	Self Colour
P0183.330-150-SC	M33 x1,5	39	5	33.3	39.0	21	16	2.0	17	Self Colour
P0183.330-200-SC	M33 x2,0	39	5	33.3	39.0	21	16	2.0	17	Self Colour
P0183.360-150-SC	M36 x1,5	42	5	36.3	42.0	21	16	2.0	19	Self Colour
P0183.360-200-SC	M36 x2	42	5	36.3	42.0	21	16	2.0	19	Self Colour
P0183.380-150-SC	M38 x1,5	44	5	38.3	44.0	21	16	2.0	19	Self Colour
P0183.380-200-SC	M38 x2	44	5	38.3	44.0	21	16	2.0	19	Self Colour
P0183.390-200-SC	M39 x2	44	5	38.3	44.0	21	16	2.0	19	Self Colour
P0183.420-150-SC	M42 x1,5	49	5	42.3	49.0	21	16	2.0	22	Self Colour
P0183.420-200-SC	M42 x2,0	49	5	42.3	49.0	21	16	2.0	22	Self Colour
P0183.450-150-SC	M45 x1,5	49	5	42.3	49.0	21	16	2.0	22	Self Colour
P0183.450-200-SC	M45 x2	49	5	42.3	49.0	21	16	2.0	22	Self Colour
P0183.480-150-SC	M48 x1,5	55	5	48.3	55.0	21	16	2.0	24	Self Colour
P0183.480-200-SC	M48 x2,0	55	5	48.3	55.0	21	16	2.0	24	Self Colour
P0183.520-150-SC	M52 x1,5	60	5	52.3	60.0	21	16	2.0	24	Self Colour
P0183.520-200-SC	M52 x2	60	5	52.3	60.0	21	16	2.0	24	Self Colour
P0183.560-200-SC	M56 x2,0	64	5	56.3	64.0	25	20	2.0	32	Self Colour
P0183.600-200-SC	M60 x2,0	68	5	60.3	68.0	25	20	2.0	32	Self Colour
P0183.640-200-SC	M64 x2,0	72	5	64.3	72.0	25	20	2.0	32	Self Colour
P0183.G1/8-SC	G1/8"	14	3	10.0	13.5	11	8	1.0	5	Self Colour
P0183.G1/4-SC	G1/4"	18	3	13.4	18.0	15	12	1.5	6	Self Colour
P0183.G3/8-SC	G3/8"	22	3	17.0	21.0	15	12	1.5	8	Self Colour
P0183.G1/2-SC	G1/2"	26	4	21.3	26.0	18	14	1.5	10	Self Colour



Blanking Plugs with Collar

metric & BSPP

Blanking Plugs



Order No.	d ₁ x p	d ₂ tol. h14	h ₁ ±0.5	d ₃	d ₄	l ₁	l ₂ ±0.2	t ₁	A/F	Material
P0183.G5/8-SC	G5/8"	28	4	24.0	28.0	18	14	1.5	12	Self Colour
P0183.G3/4-SC	G3/4"	32	4	26.7	32.0	20	16	2.0	12	Self Colour
P0183.G7/8-SC	G7/8"	36	4	29.4	36.0	20	16	2.0	12	Self Colour
P0183.G1-SC	G1"	39	5	33.5	39.0	21	16	2.0	17	Self Colour
P0183.G1-1/8-SC	G1-1/8"	44	5	36.2	44.0	21	16	2.0	19	Self Colour
P0183.G1-1/4-SC	G1 1/4"	49	5	42.2	49.0	21	16	2.0	22	Self Colour
P0183.G1-1/2-SC	G1-1/2"	55	5	48.1	55.0	21	16	2.0	24	Self Colour
P0183.G1-3/4-SC	G1-3/4"	62	5	51.8	62.0	25	20	2.0	32	Self Colour
P0183.G2-SC	G2"	68	5	54.5	68.0	25	20	2.0	32	Self Colour
P0183.080-100-A4	M 8 x1,0	12	3	8.3	11.5	11	8	1.0	4	A4 s/s
P0183.100-100-A4	M10 x1,0	14	3	10.3	13.5	11	8	1.0	5	A4 s/s
P0183.120-100-A4	M12 x1	17	3	12.3	16.0	15	12	1.5	6	A4 s/s
P0183.120-150-A4	M12 x1,5	17	3	12.3	16.0	15	12	1.5	6	A4 s/s
P0183.140-150-A4	M14 x1,5	19	3	14.3	18.0	15	12	1.5	6	A4 s/s
P0183.160-150-A4	M16 x1,5	21	3	16.3	20.0	15	12	1.5	8	A4 s/s
P0183.180-150-A4	M18 x1,5	23	4	18.3	22.0	16	12	1.5	8	A4 s/s
P0183.200-150-A4	M20 x1,5	25	4	20.3	24.0	18	14	1.5	10	A4 s/s
P0183.220-150-A4	M22 x1,5	27	4	22.3	27.0	18	14	1.5	10	A4 s/s
P0183.240-150-A4	M24 x1,5	29	4	24.3	29.0	18	14	2.0	12	A4 s/s
P0183.260-150-A4	M26 x1,5	31	4	26.3	31.0	20	16	2.0	12	A4 s/s
P0183.270-200-A4	M27 x2,0	32	4	27.3	32.0	20	16	2.0	12	A4 s/s
P0183.300-150-A4	M30 x1,5	36	4	30.3	36.0	20	16	2.0	17	A4 s/s
P0183.300-200-A4	M30 x2,0	36	4	30.3	36.0	20	16	2.0	17	A4 s/s
P0183.360-150-A4	M36 x1,5	36	4	30.3	36.0	20	16	2.0	17	A4 s/s
P0183.380-150-A4	M38 x1,5	36	4	30.3	36.0	20	16	2.0	17	A4 s/s
P0183.420-150-A4	M42 x1,5	36	4	30.3	36.0	20	16	2.0	17	A4 s/s
P0183.420-200-A4	M42 x2	36	4	30.3	36.0	20	16	2.0	17	A4 s/s
P0183.450-150-A4	M45 x1,5	36	4	30.3	36.0	20	16	2.0	17	A4 s/s
P0183.480-200-A4	M48 x2	36	4	30.3	36.0	20	16	2.0	17	A4 s/s
P0183.520-200-A4	M52 x2	36	4	30.3	36.0	20	16	2.0	17	A4 s/s
P0183.G1/8-A4	G1/8"	14	3	10.0	13.5	11	8	1.0	5	A4 s/s
P0183.G1/4-A4	G1/4"	18	3	13.4	18.0	15	12	1.5	6	A4 s/s
P0183.G3/8-A4	G3/8"	22	3	17.0	21.0	15	12	1.5	8	A4 s/s
P0183.G1/2-A4	G1/2"	26	4	21.3	26.0	18	14	1.5	10	A4 s/s
P0183.G5/8-A4	G5/8"	28	4	24.0	28.0	18	14	1.5	12	A4 s/s
P0183.G3/4-A4	G3/4"	32	4	26.7	32.0	20	16	2.0	12	A4 s/s
P0183.G7/8-A4	G7/8"	36	4	29.4	36.0	20	16	2.0	12	A4 s/s
P0183.G1-A4	G1"	39	5	33.5	39.0	21	16	2.0	17	A4 s/s
P0183.G1-1/8-A4	G1-1/8"	44	5	36.2	44.0	21	16	2.0	19	A4 s/s
P0183.G1-1/4-A4	G1 1/4"	49	5	42.2	49.0	21	16	2.0	22	A4 s/s
P0183.G1-1/2-A4	G1-1/2"	55	5	48.1	55.0	21	16	2.0	24	A4 s/s
P0183.G1-3/4-A4	G1-3/4"	62	5	51.8	62.0	25	20	2.0	32	A4 s/s
P0183.G2-A4	G2"	68	5	54.5	68.0	25	20	2.0	32	A4 s/s
P0183.080-100-A2	M 8 x1,0	12	3	8.3	11.5	11	8	1.0	4	A2 s/s
P0183.100-100-A2	M10 x1,0	14	3	10.3	13.5	11	8	1.0	5	A2 s/s
P0183.120-150-A2	M12 x1,5	17	3	12.3	16.0	15	12	1.5	6	A2 s/s
P0183.140-150-A2	M14 x1,5	19	3	14.3	18.0	15	12	1.5	6	A2 s/s
P0183.160-150-A2	M16 x1,5	21	3	16.3	20.0	15	12	1.5	8	A2 s/s
P0183.180-150-A2	M18 x1,5	23	4	18.3	22.0	16	12	1.5	8	A2 s/s
P0183.200-150-A2	M20 x1,5	25	4	20.3	24.0	18	14	1.5	10	A2 s/s
P0183.220-150-A2	M22 x1,5	27	4	22.3	27.0	18	14	1.5	10	A2 s/s
P0183.240-150-A2	M24 x1,5	29	4	24.3	29.0	18	14	2.0	12	A2 s/s
P0183.260-150-A2	M26 x1,5	31	4	26.3	31.0	20	16	2.0	12	A2 s/s
P0183.270-200-A2	M27 x2,0	32	4	27.3	32.0	20	16	2.0	12	A2 s/s
P0183.300-150-A2	M30 x1,5	36	4	30.3	36.0	20	16	2.0	17	A2 s/s
P0183.300-200-A2	M30 x2,0	36	4	30.3	36.0	20	16	2.0	17	A2 s/s
P0183.G1/8-A2	G1/8"	14	3	10.0	13.5	11	8	1.0	5	A2 s/s
P0183.G1/4-A2	G1/4"	18	3	13.4	18.0	15	12	1.5	6	A2 s/s
P0183.G3/8-A2	G3/8"	22	3	17.0	21.0	15	12	1.5	8	A2 s/s
P0183.G1/2-A2	G1/2"	26	4	21.3	26.0	18	14	1.5	10	A2 s/s
P0183.G5/8-A2	G5/8"	28	4	24.0	28.0	18	14	1.5	12	A2 s/s
P0183.G3/4-A2	G3/4"	32	4	26.7	32.0	20	16	2.0	12	A2 s/s
P0183.G7/8-A2	G7/8"	36	4	29.4	36.0	20	16	2.0	12	A2 s/s
P0183.G1-A2	G1"	39	5	33.5	39.0	21	16	2.0	17	A2 s/s
P0183.G1-1/8-A2	G1-1/8"	44	5	36.2	44.0	21	16	2.0	19	A2 s/s
P0183.G1-1/4-A2	G1 1/4"	49	5	42.2	49.0	21	16	2.0	22	A2 s/s
P0183.G1-1/2-A2	G1-1/2"	55	5	48.1	55.0	21	16	2.0	24	A2 s/s
P0183.G1-3/4-A2	G1-3/4"	62	5	51.8	62.0	25	20	2.0	32	A2 s/s

BLANKING PLUGS



Blanking Plugs

Blanking Plugs with Collar metric & BSPP



BLANKING PLUGS

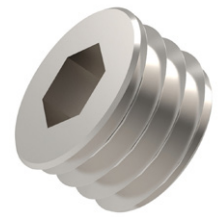
Order No.	d ₁ x p	d ₂ tol. h14	h ₁ ±0.5	d ₃	d ₄	l ₁	l ₂ ±0.2	t ₁	A/F	Material
P0183.G2-A2	G2"	68	5	54.5	68.0	25	20	2.0	32	A2 s/s
P0183.080-100-BR	M 8 x1,0	12	3	8.3	11.5	11	8	1.0	4	Brass
P0183.100-100-BR	M10 x1,0	14	3	10.3	13.5	11	8	1.0	5	Brass
P0183.120-150-BR	M12 x1,5	17	3	12.3	16.0	15	12	1.5	6	Brass
P0183.140-150-BR	M14 x1,5	19	3	14.3	18.0	15	12	1.5	6	Brass
P0183.160-150-BR	M16 x1,5	21	3	16.3	20.0	15	12	1.5	8	Brass
P0183.180-100-BR	M18 x1,0	23	4	18.3	22.0	16	12	1.5	8	Brass
P0183.180-150-BR	M18 x1,5	23	4	18.3	22.0	16	12	1.5	8	Brass
P0183.200-150-BR	M20 x1,5	25	4	20.3	24.0	18	14	1.5	10	Brass
P0183.220-150-BR	M22 x1,5	27	4	22.3	27.0	18	14	1.5	10	Brass
P0183.240-150-BR	M24 x1,5	29	4	24.3	29.0	18	14	2.0	12	Brass
P0183.260-150-BR	M26 x1,5	31	4	26.3	31.0	20	16	2.0	12	Brass
P0183.270-200-BR	M27 x2,0	32	4	27.3	32.0	20	16	2.0	12	Brass
P0183.300-150-BR	M30 x1,5	36	4	30.3	36.0	20	16	2.0	17	Brass
P0183.300-200-BR	M30 x2,0	36	4	30.3	36.0	20	16	2.0	17	Brass
P0183.330-200-BR	M33 x2,0	39	5	33.3	39.0	21	16	2.0	17	Brass
P0183.360-150-BR	M36 x1,5	42	5	36.3	42.0	21	16	2.0	19	Brass
P0183.360-200-BR	M36 x2	42	5	36.3	42.0	21	16	2.0	19	Brass
P0183.380-150-BR	M38 x1,5	44	5	38.3	44.0	21	16	2.0	19	Brass
P0183.420-150-BR	M42 x1,5	49	5	42.3	49.0	21	16	2.0	22	Brass
P0183.420-200-BR	M42 x2,0	49	5	42.3	49.0	21	16	2.0	22	Brass
P0183.450-200-BR	M45 x2,0	49	5	42.3	49.0	21	16	2.0	22	Brass
P0183.480-150-BR	M48 x1,5	55	5	48.3	55.0	21	16	2.0	24	Brass
P0183.480-200-BR	M48 x2,0	55	5	48.3	55.0	21	16	2.0	24	Brass
P0183.520-150-BR	M52 x1,5	60	5	52.3	60.0	21	16	2.0	24	Brass
P0183.520-200-BR	M52 x2	60	5	52.3	60.0	21	16	2.0	24	Brass
P0183.560-200-BR	M56 x2,0	64	5	56.3	64.0	25	20	2.0	32	Brass
P0183.600-200-BR	M60 x2,0	68	5	60.3	68.0	25	20	2.0	32	Brass
P0183.640-200-BR	M64 x2,0	72	5	64.3	72.0	25	20	2.0	32	Brass
P0183.G1/8-BR	G1/8"	14	3	10.0	13.5	11	8	1.0	5	Brass
P0183.G1/4-BR	G1/4"	18	3	13.4	18.0	15	12	1.5	6	Brass
P0183.G3/8-BR	G3/8"	22	3	17.0	21.0	15	12	1.5	8	Brass
P0183.G1/2-BR	G1/2"	26	4	21.3	26.0	18	14	1.5	10	Brass
P0183.G5/8-BR	G5/8"	28	4	24.0	28.0	18	14	1.5	12	Brass
P0183.G3/4-BR	G3/4"	32	4	26.7	32.0	20	16	2.0	12	Brass
P0183.G7/8-BR	G7/8"	36	4	29.4	36.0	20	16	2.0	12	Brass
P0183.G1-BR	G1"	39	5	33.5	39.0	21	16	2.0	17	Brass
P0183.G1-1/8-BR	G1-1/8"	44	5	36.2	44.0	21	16	2.0	19	Brass
P0183.G1-1/4-BR	G1 1/4"	49	5	42.2	49.0	21	16	2.0	22	Brass
P0183.G1-1/2-BR	G1-1/2"	55	5	48.1	55.0	21	16	2.0	24	Brass
P0183.G1-3/4-BR	G1-3/4"	62	5	51.8	62.0	25	20	2.0	32	Brass
P0183.G2-BR	G2"	68	5	54.5	68.0	25	20	2.0	32	Brass



Blanking Plugs

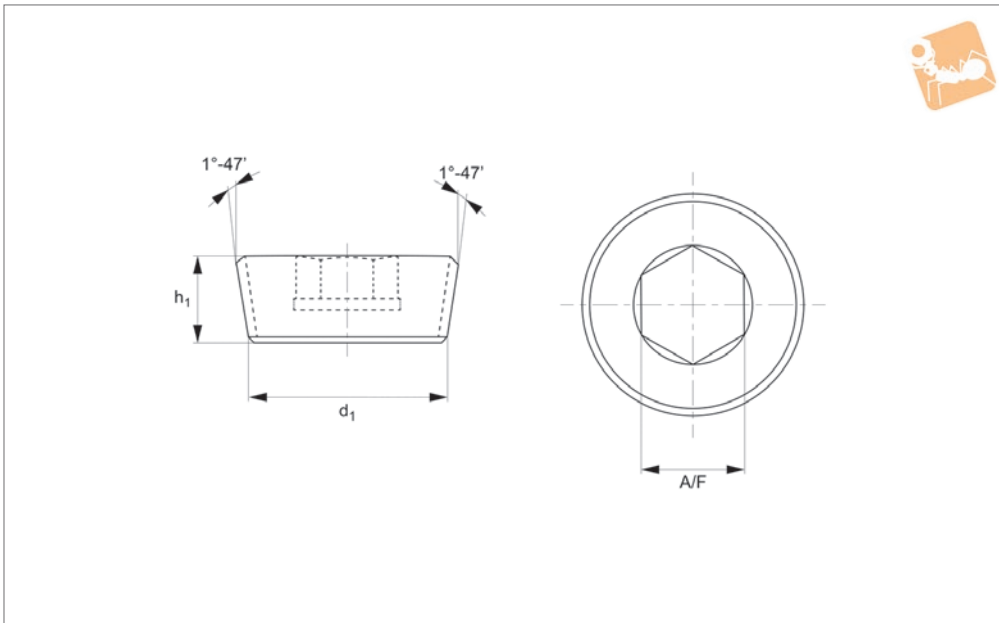
Metric & BSPT

Blanking Plugs



P0184

BLANKING PLUGS



Material

Steel (self-colour & zinc-plated), stainless steel (A2 & A4), and brass.

Inch threads beginning with „R“ indicate BSPT (British Standard Pipe Taper threads ISO 7).

Tightening torque is dependent on fluid, pressure, temperature, and material pairing.

Technical Notes

To DIN 906. Metric fine taper threads.

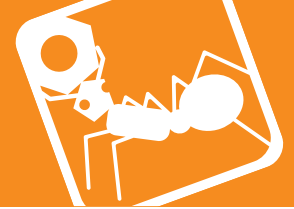
Order No.	d ₁	h ₁ tol. JS16	A/F	Material
P0184.060-100-ZP	M6 x1,0	6	3	Steel ZP
P0184.080-100-ZP	M8 x1,0	8	4	Steel ZP
P0184.100-100-ZP	M10 x1,0	8	5	Steel ZP
P0184.120-150-ZP	M12 x1,5	10	6	Steel ZP
P0184.140-150-ZP	M14 x1,5	10	7	Steel ZP
P0184.160-150-ZP	M16 x1,5	10	8	Steel ZP
P0184.180-150-ZP	M18 x1,5	10	8	Steel ZP
P0184.200-150-ZP	M20 x1,5	10	10	Steel ZP
P0184.220-150-ZP	M22 x1,5	10	10	Steel ZP
P0184.240-150-ZP	M24 x1,5	12	12	Steel ZP
P0184.260-150-ZP	M26 x1,5	12	12	Steel ZP
P0184.270-200-ZP	M27 x2,0	12	12	Steel ZP
P0184.300-150-ZP	M30 x1,5	12	17	Steel ZP
P0184.080-075-ZP	M8 x0,75	8	4	Steel ZP
P0184.080-125-ZP	M8 x1,25	8	4	Steel ZP
P0184.270-150-ZP	M27 x1,5	12	12	Steel ZP
P0184.300-200-ZP	M30 x2	12	17	Steel ZP
P0184.360-150-ZP	M36 x1,5	15	19	Steel ZP
P0184.420-150-ZP	M42x1,5	18	22	Steel ZP
P0184.520-150-ZP	M52 x1,5	20	24	Steel ZP
P0184.R1/8-ZP	R1/8"	8	5	Steel ZP
P0184.R1/4-ZP	R1/4"	10	7	Steel ZP
P0184.R3/8-ZP	R3/8"	10	8	Steel ZP
P0184.R1/2-ZP	R1/2"	10	10	Steel ZP
P0184.R5/8-ZP	R5/8"	10	10	Steel ZP
P0184.R3/4-ZP	R3/4"	12	12	Steel ZP
P0184.R1-ZP	R1"	12	17	Steel ZP
P0184.R1-1/4-ZP	R1 1/4"	18	22	Steel ZP
P0184.R1-1/2-ZP	R1 1/2"	20	24	Steel ZP
P0184.R2-ZP	R2"	22	32	Steel ZP
P0184.060-100-SC	M6 x1,0	6	3	Steel SC



Blanking Plugs

Blanking Plugs

Metric & BSPT



BLANKING PLUGS

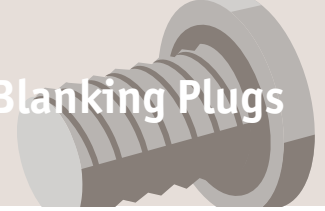
Order No.	d ₁	h ₁ tol. JS16	A/F	Material
P0184.080-100-SC	M8 x1,0	8	4	Steel SC
P0184.080-125-SC	M8 x1,25	8	4	Steel SC
P0184.080-075-SC	M8 x0,75	8	4	Steel SC
P0184.100-100-SC	M10 x1,0	8	5	Steel SC
P0184.120-100-SC	M12 x1,0	10	6	Steel SC
P0184.120-150-SC	M12 x1,5	10	6	Steel SC
P0184.140-150-SC	M14 x1,5	10	7	Steel SC
P0184.160-150-SC	M16 x1,5	10	8	Steel SC
P0184.180-150-SC	M18 x1,5	10	8	Steel SC
P0184.200-150-SC	M20 x1,5	10	10	Steel SC
P0184.220-150-SC	M22 x1,5	10	10	Steel SC
P0184.240-150-SC	M24 x1,5	12	12	Steel SC
P0184.260-150-SC	M26 x1,5	12	12	Steel SC
P0184.270-150-SC	M27 x1,5	12	12	Steel SC
P0184.270-200-SC	M27 x2,0	12	12	Steel SC
P0184.300-150-SC	M30 x1,5	12	17	Steel SC
P0184.300-200-SC	M30 x2,0	12	17	Steel SC
P0184.330-150-SC	M33 x1,5	12	17	Steel SC
P0184.330-200-SC	M33 x2,0	12	17	Steel SC
P0184.360-150-SC	M36 x1,5	15	19	Steel SC
P0184.360-200-SC	M36 x2	15	19	Steel SC
P0184.380-150-SC	M38 x1,5	15	19	Steel SC
P0184.420-200-SC	M42 x2,0	18	22	Steel SC
P0184.450-150-SC	M45 x1,5	18	22	Steel SC
P0184.480-150-SC	M48 x1,5	20	24	Steel SC
P0184.420-150-SC	M42 x1,5	18	22	Steel SC
P0184.480-200-SC	M48 x2,0	20	24	Steel SC
P0184.520-150-SC	M52 x1,5	20	24	Steel SC
P0184.520-200-SC	M52 x2	20	24	Steel SC
P0184.560-200-SC	M56 x2,0	22	32	Steel SC
P0184.600-200-SC	M60 x2,0	22	32	Steel SC
P0184.R1/8-SC	R1/8"	8	5	Steel SC
P0184.R1/4-SC	R1/4"	10	7	Steel SC
P0184.R3/8-SC	R3/8"	10	8	Steel SC
P0184.R1/2-SC	R1/2"	10	10	Steel SC
P0184.R5/8-SC	R5/8"	10	10	Steel SC
P0184.R3/4-SC	R3/4"	12	12	Steel SC
P0184.R1-SC	R1"	12	17	Steel SC
P0184.R1-1/4-SC	R1 1/4"	18	22	Steel SC
P0184.R1-1/2-SC	R1 1/2"	20	24	Steel SC
P0184.R2-SC	R2"	22	32	Steel SC
P0184.060-100-A4	M6 x1,0	6	3	A4 s/s
P0184.080-075-A4	M8 x0,75	8	4	A4 s/s
P0184.080-100-A4	M8 x1,0	8	4	A4 s/s
P0184.080-125-A4	M8 x1,25	8	4	A4 s/s
P0184.100-100-A4	M10 x1,0	8	5	A4 s/s
P0184.120-150-A4	M12 x1,5	10	6	A4 s/s
P0184.140-150-A4	M14 x1,5	10	7	A4 s/s
P0184.160-150-A4	M16 x1,5	10	8	A4 s/s
P0184.180-150-A4	M18 x1,5	10	8	A4 s/s
P0184.200-150-A4	M20 x1,5	10	10	A4 s/s
P0184.220-150-A4	M22 x1,5	10	10	A4 s/s
P0184.240-150-A4	M24 x1,5	12	12	A4 s/s
P0184.260-150-A4	M26 x1,5	12	12	A4 s/s
P0184.270-200-A4	M27 x2,0	12	12	A4 s/s
P0184.300-150-A4	M30 x1,5	12	17	A4 s/s
P0184.330-200-A4	M33 x2	12	17	A4 s/s
P0184.360-150-A4	M36 x1,5	15	19	A4 s/s
P0184.360-200-A4	M36 x2	15	19	A4 s/s
P0184.420-150-A4	M42 x1,5	18	22	A4 s/s
P0184.420-200-A4	M42 x2	18	22	A4 s/s
P0184.480-150-A4	M48 x1,5	20	24	A4 s/s
P0184.R1/8-A4	R1/8"	8	5	A4 s/s
P0184.R1/4-A4	R1/4"	10	7	A4 s/s
P0184.R3/8-A4	R3/8"	10	8	A4 s/s
P0184.R1/2-A4	R1/2"	10	10	A4 s/s
P0184.R5/8-A4	R5/8"	10	10	A4 s/s
P0184.R3/4-A4	R3/4"	12	12	A4 s/s



Blanking Plugs

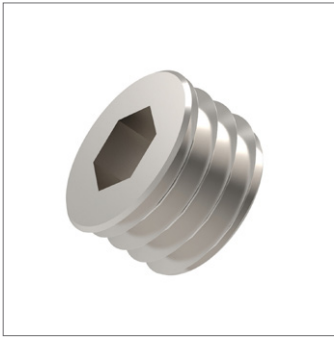
Metric & BSPT

Blanking Plugs

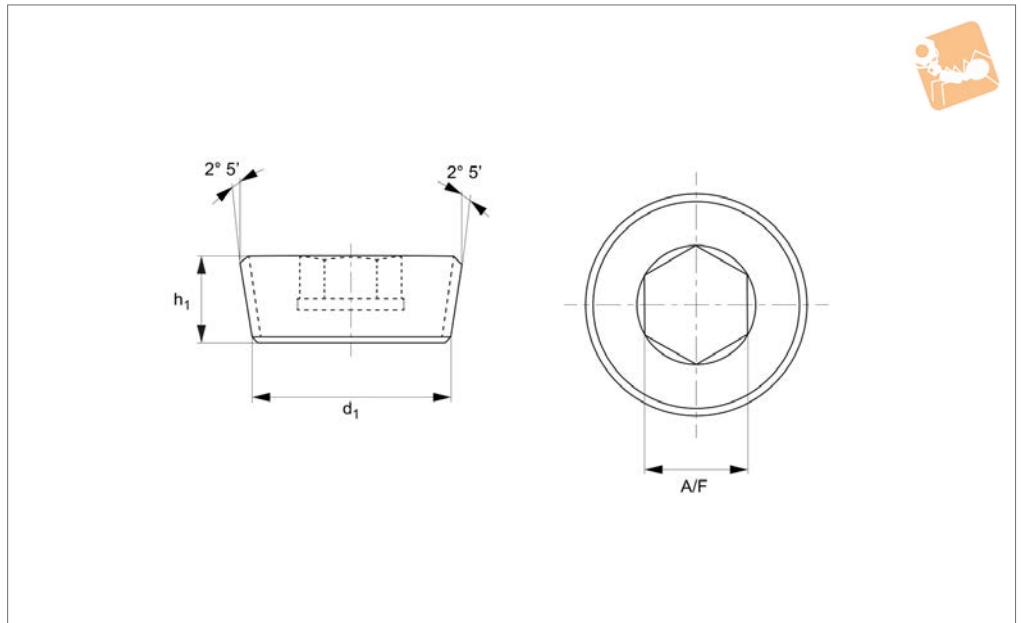


Order No.	d ₁	h ₁ tol. JS16	A/F	Material
P0184.R1-A4	R1"	12	17	A4 s/s
P0184.R1-1/4-A4	R1 1/4"	18	22	A2 s/s
P0184.R1-1/2-A4	R1 1/2"	20	24	A4 s/s
P0184.R2-A4	R2"	22	32	A4 s/s
P0184.R1/8-A2	R1/8"	8	5	A2 s/s
P0184.R1/4-A2	R1/4"	10	7	A2 s/s
P0184.R3/8-A2	R3/8"	10	8	A2 s/s
P0184.R1/2-A2	R1/2"	10	10	A2s/s
P0184.R3/4-A2	R3/4"	12	12	A2 s/s
P0184.R5/8-A2	R5/8"	12	12	A2 s/s
P0184.R1-A2	R1"	12	17	A2 s/s
P0184.R1-1/2-A2	R1 1/2"	20	24	A2 s/s
P0184.060-100-BR	M6 x1,0	6	3	Brass
P0184.080-075-BR	M8 x0,75	8	4	Brass
P0184.080-100-BR	M8 x1,0	8	4	Brass
P0184.080-125-BR	M8 x1,25	8	4	Brass
P0184.100-100-BR	M10 x1,0	8	5	Brass
P0184.120-150-BR	M12 x1,5	10	6	Brass
P0184.140-150-BR	M14 x1,5	10	7	Brass
P0184.160-150-BR	M16 x1,5	10	8	Brass
P0184.180-150-BR	M18 x1,5	10	8	Brass
P0184.200-150-BR	M20 x1,5	10	10	Brass
P0184.220-150-BR	M22 x1,5	10	10	Brass
P0184.240-150-BR	M24 x1,5	1	12	Brass
P0184.300-150-BR	M30 x1,5	12	17	Brass
P0184.300-200-BR	M30 x2	12	17	Brass
P0184.420-200-BR	M42 x2	18	22	Brass
P0184.R1/8-BR	R1/8"	8	5	Brass
P0184.R1/4-BR	R1/4"	10	7	Brass
P0184.R3/8-BR	R3/8"	10	8	Brass
P0184.R1/2-BR	R1/2"	10	10	Brass
P0184.R5/8-BR	R5/8"	10	10	Brass
P0184.R3/4-BR	R3/4"	12	12	Brass
P0184.R1-BR	R1"	12	17	Brass
P0184.R1-1/4-BR	R1 1/4"	18	22	Brass
P0184.R1-1/2-BR	R1 1/2"	20	24	Brass
P0184.R2-BR	R2"	22	32	Brass

BLANKING PLUGS



P0184.NL



Material

Steel (self-colour), stainless steel (A4) and brass.

Technical Notes

The Level Seal pressure plug has a 2° 5' taper thread extending its entire length and designed to provide a flush condition

with a standard 1° 47' tapered hole. It achieves a high pressure seal through the difference in taper, with dimensions pre-calculated to provide a higher sealing load near the large end of the plug and the threads near the top of the tapped hole. It is used in applications where high pressures are encountered and where protrusion is undesirable.

ion is undesirable.

Tightening torque is dependent on fluid, pressure, temperature, and material pairing.

Important Notes

For dry seal type plug see part P0184.NPT.

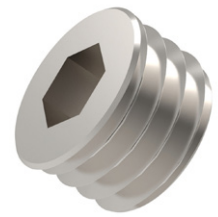
Order No.	d ₁	tpi	d ₁ max.	l ₁ nom.	A/F	Material
P0184.NL1/16-BR	NPT1/16"	27.0	7.8	6.35	5/32	Brass
P0184.NL1/8-BR	NPT1/8"	27.0	10.2	6.35	3/16	Brass
P0184.NL1/4-BR	NPT1/4"	18.0	13.4	10.3	1/4	Brass
P0184.NL3/8-BR	NPT3/8"	18.0	16.9	10.3	5/16	Brass
P0184.NL1/2-BR	NPT1/2"	14.0	21.1	13.5	3/8	Brass
P0184.NL3/4-BR	NPT3/4"	14.0	26.4	13.5	9/16	Brass
P0184.NL1-BR	NPT1"	11.5	33.1	16.7	5/8	Brass
P0184.NL1-1/4-BR	NPT1 1/4"	11.5	41.8	16.7	3/4	Brass
P0184.NL1-1/2-BR	NPT1 1/2"	11.5	47.9	16.7	3/4	Brass
P0184.NL1/16-SC	NPT1/16"	27.0	7.8	6.35	5/32	Steel SC
P0184.NL1/8-SC	NPT1/8"	27.0	10.2	6.35	3/16	Steel SC
P0184.NL1/4-SC	NPT1/4"	18.0	13.4	10.3	1/4	Steel SC
P0184.NL3/8-SC	NPT3/8"	18.0	16.9	10.3	5/16	Steel SC
P0184.NL1/2-SC	NPT1/2"	14.0	21.1	13.5	3/8	Steel SC
P0184.NL3/4-SC	NPT3/4"	14.0	26.4	13.5	9/16	Steel SC
P0184.NL1-SC	NPT1"	11.5	33.1	16.7	5/8	Steel SC
P0184.NL1-1/4-SC	NPT1 1/4"	11.5	41.8	16.7	3/4	Steel SC
P0184.NL1-1/2-SC	NPT1 1/2"	11.5	47.9	16.7	3/4	Steel SC
P0184.NL1/16-A4	NPT1/16"	27.0	7.8	6.35	5/32	A4 s/s
P0184.NL1/8-A4	NPT1/8"	27.0	10.2	6.35	3/16	A4 s/s
P0184.NL1/4-A4	NPT1/4"	18.0	13.4	10.3	1/4	A4 s/s
P0184.NL3/8-A4	NPT3/8"	18.0	16.9	10.3	5/16	A4 s/s
P0184.NL1/2-A4	NPT1/2"	14.0	21.1	13.5	3/8	A4 s/s
P0184.NL3/4-A4	NPT3/4"	14.0	26.4	13.5	9/16	A4 s/s
P0184.NL1-A4	NPT1"	11.5	33.1	16.7	5/8	A4 s/s
P0184.NL1-1/4-A4	NPT1 1/4"	11.5	41.8	16.7	3/4	A4 s/s
P0184.NL1-1/2-A4	NPT1 1/2"	11.5	47.9	16.7	3/4	A4 s/s



Blanking Plugs - Dry Seal

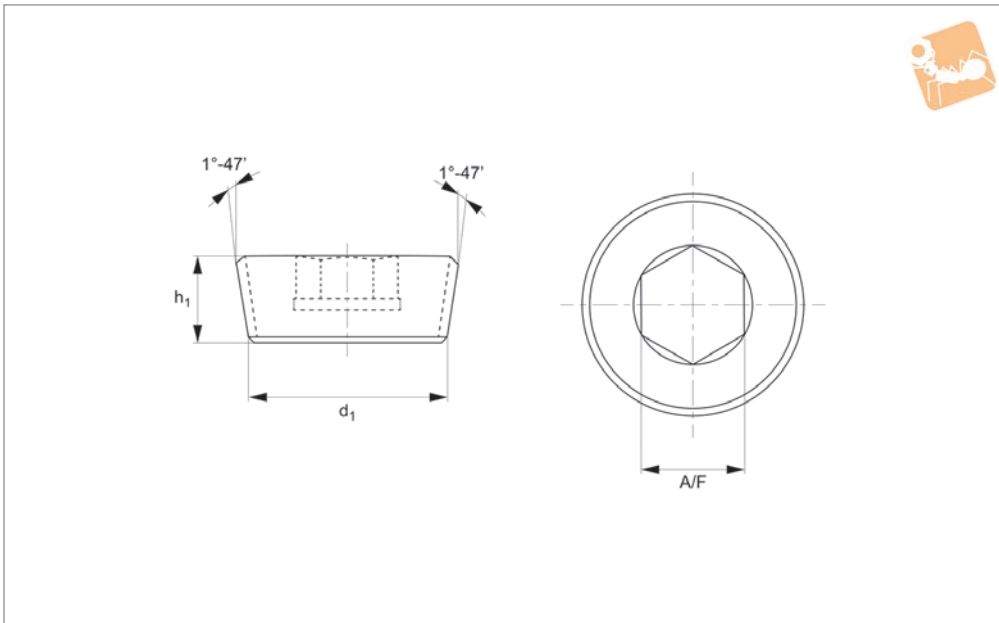
NPT and NPTF

Blanking Plugs



P0184.NPT

BLANKING PLUGS



Material

Steel (hardened or self-colour) and stainless steel (A4)

Technical Notes

To DIN 906. NPT (National Pipe Thread Taper) and NPTF (National Pipe Taper Fuel). The NPTF dry seal versions fit holes that are not as accurately tapped. Tightening torque is dependent on fluid, pressure, temperature, and material pairing.

Tips

NPTF threads will screw together with NPT threads and should have no noticeable assembly problem. There will most likely be an interference fit between the root and crest on either the major or minor diameter of the thread, depending on which part is NPTF. To accomplish a seal on the joint, a sealant will be required. NPTF threads are designed to screw together. They are designed to have interference at the roots and crests of the

threads on both the major and minor diameters. This interference should cause no assembly problem. The thread deformation caused by the interference fit and the wrench tightening is designed to make a dry mechanical seal.

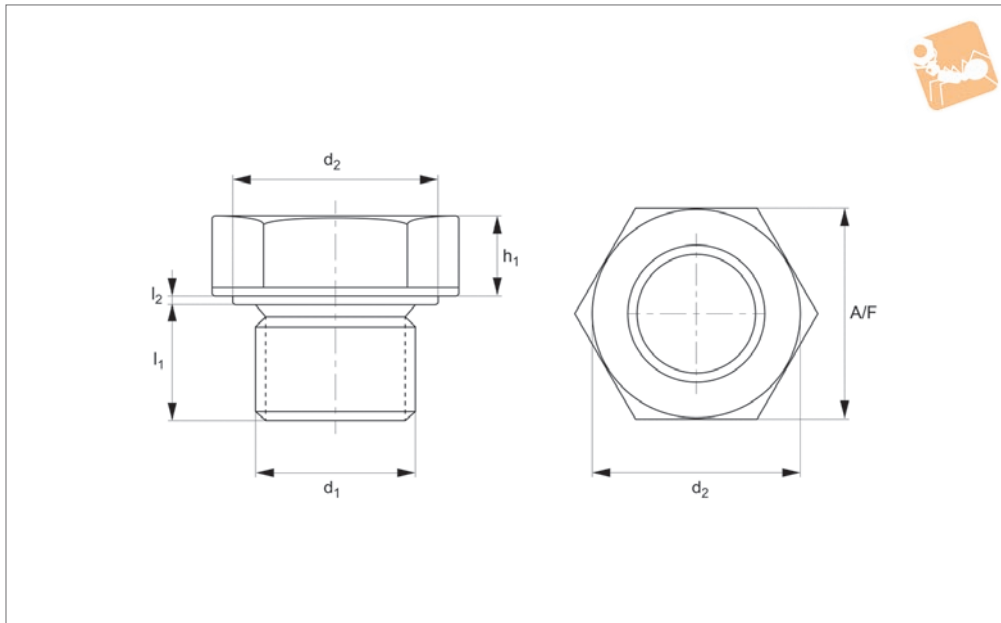
Important Notes

For level of flush type plug see part P0184.NL.

Order No.	d ₁	tpi	d ₁ max.	l ₁ nom.	A/F	Material
P0184.NPT1/16-A4	NPT1/16"	27.0	8.08	7.92	5/32	A4 s/s
P0184.NPT1/8-A4	NPT 1/8"	27.0	10.40	7.92	3/16	A4 s/s
P0184.NPT1/4-A4	NPT 1/4"	18.0	13.80	11.10	1/4	A4 s/s
P0184.NPT3/8-A4	NPT 3/8"	18.0	17.40	12.70	5/16	A4 s/s
P0184.NPT1/2-A4	NPT 1/2"	14.0	21.10	15.90	3/8	A4 s/s
P0184.NPT3/4-A4	NPT 3/4"	14.0	26.90	19.00	1/4	A4 s/s
P0184.NPT1-A4	NPT 1"	11.5	33.90	20.60	1/2	A4 s/s
P0184.NPT1-1/4-A4	NPT 1-1/4"	11.5	33.90	20.60	1/2	A4 s/s
P0184.NPT1/16-SC	NPT1/16"	27.0	8.08	7.92	5/32	Steel SC
P0184.NPT1/8-SC	NPT1/8"	27.0	10.40	7.92	3/16	Steel SC
P0184.NPT1/4-SC	NPT1/4"	18.0	13.80	11.10	1/4	Steel SC
P0184.NPT3/8-SC	NPT3/8"	18.0	17.40	12.70	5/16	Steel SC
P0184.NPT1/2-SC	NPT1/2"	14.0	21.50	15.90	3/8	Steel SC
P0184.NPT5/8-SC	NPT5/8"	14.0	21.50	15.90	3/8	Steel SC
P0184.NPT3/4-SC	NPT3/4"	14.0	26.90	19.00	1/4	Steel SC
P0184.NPT1-SC	NPT1"	11.5	33.90	20.60	1/2	Steel SC
P0184.NPT1-1/4-SC	NPT1 1/4"	11.5	42.60	20.60	3/4	Steel SC
P0184.NPT1-1/2-SC	NPT1 1/2"	11.5	48.70	20.60	1	Steel SC
P0184.NPT2-SC	NPT2"	11.5	48.70	20.60	1	Steel SC
P0184.NPTF1/16-HS	NPTF1/16"	27.0	8.08	7.92	5/32	Hardened steel
P0184.NPTF1/8-HS	NPTF1/8"	27.0	10.40	7.92	3/16	Hardened steel
P0184.NPTF1/4-HS	NPTF1/4"	18.0	13.80	11.10	1/4	Hardened steel
P0184.NPTF3/8-HS	NPTF3/8"	18.0	17.40	12.70	5/16	Hardened steel
P0184.NPTF1/2-HS	NPTF1/2"	14.0	21.50	14.30	3/8	Hardened steel



Order No.	d ₁	tpi	d ₁ max.	l ₁ nom.	A/F	Material
P0184.NPTF3/4-HS	NPTF3/4"	14.0	26.90	15.90	1/8	Hardened steel
P0184.NPTF1-HS	NPTF1"	11.5	33.90	19.00	1/2	Hardened steel



P0187

BLANKING PLUGS

Material

Steel (self-colour), stainless steel (A4, AISI 316) or brass.

Technical Notes

To DIN 7604A. Most metric screw plug

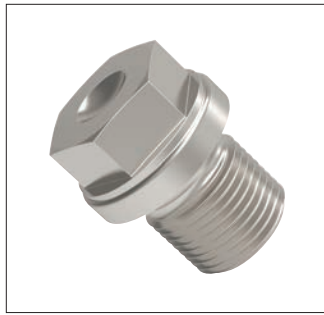
threads are fine threads.

Tightening torque is dependent on fluid, pressure, temperature, and material pairing.

Tips

Also available on request with O rings (NBR, Viton, EPDM, Silicone etc), permanent magnet, and polyamide melt seal under head.

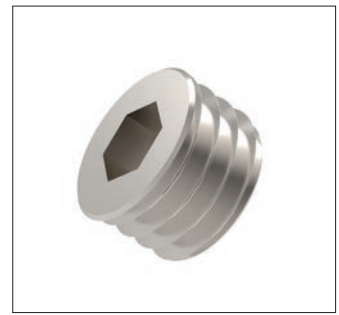
Order No.	d ₁ x p	d ₂ tol. h14	h ₁	l ₁	l ₂ +0.2 -0	A/F	Material
P0187.100-100-ZP	M10 x1,0	14	4	6	0.5	14	Steel ZP
P0187.120-150-ZP	M12 x1,5	17	6	9	0.5	17	Steel ZP
P0187.140-150-ZP	M14 x1,5	19	6	9	0.5	19	Steel ZP
P0187.160-150-ZP	M16 x1,5	21	6	9	0.5	22	Steel ZP
P0187.180-150-ZP	M18 x1,5	23	6	9	2	17	Steel ZP
P0187.220-150-ZP	M22 x1,5	27	6	9	2	19	Steel ZP
P0187.260-150-ZP	M26 x1,5	31	8	9	2.5	22	Steel ZP
P0187.300-150-ZP	M30 x1,5	36	8	9	2.5	22	Steel ZP
P0187.100-100-A4	M10 x1,0	14	4	6	0.5	14	A4 s/s
P0187.120-150-A4	M12 x1,5	17	6	9	0.5	17	A4 s/s
P0187.140-150-A4	M14 x1,5	19	6	9	0.5	19	A4 s/s
P0187.160-150-A4	M16 x1,5	21	6	9	0.5	22	A4 s/s
P0187.180-150-A4	M18 x1,5	23	6	9	2	17	A4 s/s
P0187.220-150-A4	M22 x1,5	27	6	9	2	19	A4 s/s
P0187.260-150-A4	M26 x1,5	31	8	9	2.5	22	A4 s/s
P0187.300-150-A4	M30 x1,5	36	8	9	2.5	22	A4 s/s
P0187.100-100-BR	M10 x1,0	14	4	6	0.5	14	Brass
P0187.120-150-BR	M12 x1,5	17	6	9	0.5	17	Brass
P0187.140-150-BR	M14 x1,5	19	6	9	0.5	19	Brass
P0187.160-150-BR	M16 x1,5	21	6	9	0.5	22	Brass
P0187.180-150-BR	M18 x1,5	23	6	9	2	17	Brass
P0187.220-150-BR	M22 x1,5	27	6	9	2	19	Brass
P0187.260-150-BR	M26 x1,5	31	8	9	2.5	22	Brass
P0187.300-150-BR	M30 x1,5	36	8	9	2.5	22	Brass
P0187.100-100-SC	M10 x1,0	14	4	6	0.5	14	Steel SC
P0187.120-150-SC	M12 x1,5	17	6	9	0.5	17	Steel SC
P0187.140-150-SC	M14 x1,5	19	6	9	0.5	19	Steel SC
P0187.160-150-SC	M16 x1,5	21	6	9	0.5	22	Steel SC
P0187.180-150-SC	M18 x1,5	23	6	9	2	17	Steel SC
P0187.220-150-SC	M22 x1,5	27	6	9	2	19	Steel SC
P0187.260-150-SC	M26 x1,5	31	8	9	2.5	22	Steel SC
P0187.300-150-SC	M30 x1,5	36	8	9	2.5	22	Steel SC



P0182
Hex head screw blanking plugs
DIN 910



P0183
Hex socket screw blanking plugs
DIN 908



P0184
Hex socket taper blanking plugs
DIN 906



P0184.NPT
Hex socket blanking plugs NPT
and NPTF dry seal



P0184.NL
Hex socket blanking plugs level
seal



P0187
Hexagon blanking plugs DIN
7604 A

Blanking Plugs from Automation Components

Threads

Blanking plugs come with either metric or inch threads. Most metric threads are fine threads (to DIN 13).

Inch threads come in four types:

G indicates BSPP British Standard pipe parallel (to ISO 288)

R indicates BSPT British Standard pipe taper (to ISO 7)

NPT indicates National Standard pipe taper (to ANSI B1.20.1)

NPTF indicates National Standard pipe taper fuel dry seal (to ANSI B1.20.3)

NL indicates National Standard pipe taper fuel level seal (to ANSI B1.20.3)

Materials

Blanking Plugs are available in three material types:

Steel (untreated or zinc plated)

Stainless steel (A2, AISI 303 and A4, AISI 316)

Brass

Options: with built-in magnet or with NBR seal and O Ring.

NPT and NPTF pipe threads

The two most common US standard taper pipe threads used are National Pipe Taper (NPT) and National Pipe Taper Fuel (NPTF). Applications range from electrical conduits and hand railings to high-pressure pipe lines that carry gas or caustic fluids. NPT threads are for mechanical or low-pressure air or fluid applications and often require the use of sealing compounds like Teflon tape, to provide the seal. When the application is more critical, and the sealing compound may fail due to high heat or pressure, NPTF Dryseal threads are used. This mechanical seal is produced by the mating and slight crushing of the threads when a wrench is applied to tighten the fittings.