

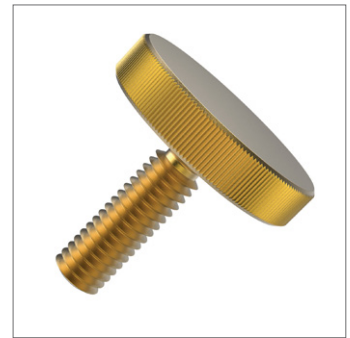
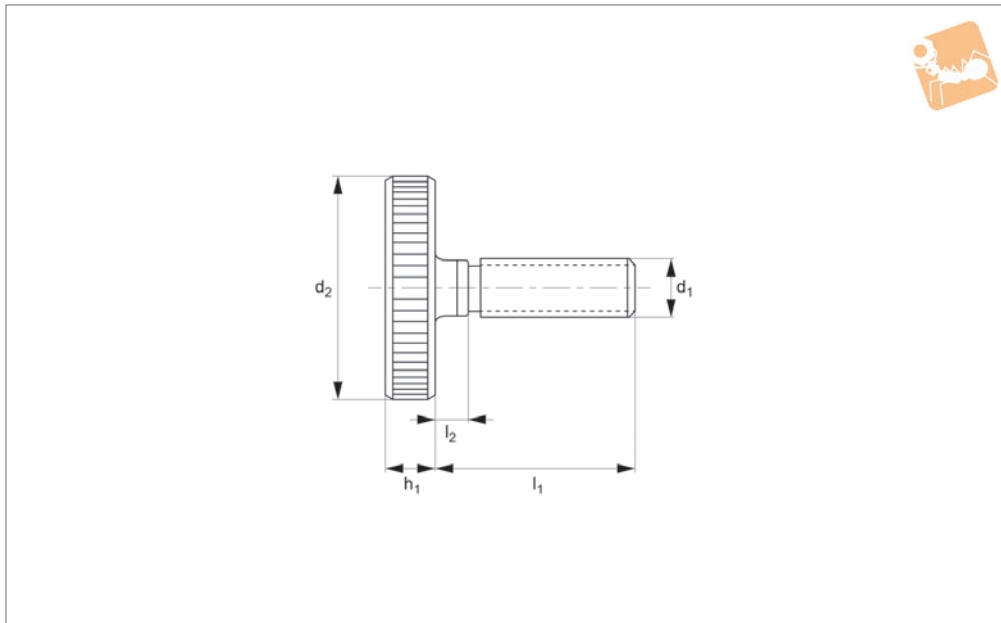


Flat Knurled Thumb Screws

DIN 653



Thumb Screws



P0405.BR

THUMB SCREWS

Material

Brass, Cu3 (CuZn39Pb3).

Technical Notes

To DIN 653.

Order No.	Thread	l_1	d_2	h_1	l_2	Material	Weight g
P0405.030-006-BR	M 3	6.0	12	2.5	2.0	Brass	2.3
P0405.030-008-BR	M 3	8.0	12	2.5	2.0	Brass	2.4
P0405.030-010-BR	M 3	10	12	2.5	2.0	Brass	2.5
P0405.030-012-BR	M 3	12	12	2.5	2.0	Brass	2.6
P0405.030-016-BR	M 3	16	12	2.5	2.0	Brass	2.7
P0405.030-020-BR	M 3	20	12	2.5	2.0	Brass	2.7
P0405.030-025-BR	M 3	25	12	2.5	2.0	Brass	2.7
P0405.040-008-BR	M 4	8.0	16	3.5	3.0	Brass	6.1
P0405.040-010-BR	M 4	10	16	3.5	3.0	Brass	6.2
P0405.040-012-BR	M 4	12	16	3.5	3.0	Brass	6.4
P0405.040-016-BR	M 4	16	16	3.5	3.0	Brass	6.7
P0405.040-020-BR	M 4	20	16	3.5	3.0	Brass	6.7
P0405.040-025-BR	M 4	25	16	3.5	3.0	Brass	6.7
P0405.050-008-BR	M 5	8	20	4.0	3.0	Brass	11.0
P0405.050-010-BR	M 5	10	20	4.0	3.0	Brass	11.0
P0405.050-012-BR	M 5	12	20	4.0	3.0	Brass	11.3
P0405.050-016-BR	M 5	16	20	4.0	3.0	Brass	11.7
P0405.050-020-BR	M 5	20	20	4.0	3.0	Brass	12.0
P0405.050-025-BR	M 5	25	20	4.0	3.0	Brass	12.0
P0405.050-030-BR	M 5	30	20	4.0	3.0	Brass	12.0
P0405.060-010-BR	M 6	10	24.0	5.0	4.0	Brass	20.0
P0405.060-012-BR	M 6	12	24.0	5.0	4.0	Brass	20.0
P0405.060-016-BR	M 6	16	24.0	5.0	4.0	Brass	20.4
P0405.060-020-BR	M 6	20	24.0	5.0	4.0	Brass	21.0
P0405.060-025-BR	M 6	25	24.0	5.0	4.0	Brass	25.0
P0405.060-030-BR	M 6	30	24.0	5.0	4.0	Brass	22.0
P0405.060-040-BR	M 6	40	24.0	5.0	4.0	Brass	22.0
P0405.080-016-BR	M 8	16	30.0	6.0	5.0	Brass	40.0
P0405.080-020-BR	M 8	20	30.0	6.0	5.0	Brass	40.0
P0405.080-025-BR	M 8	25	30.0	6.0	5.0	Brass	42.0
P0405.080-030-BR	M 8	30	30.0	6.0	5.0	Brass	43.0
P0405.080-040-BR	M 8	40	30.0	6.0	5.0	Brass	45.0