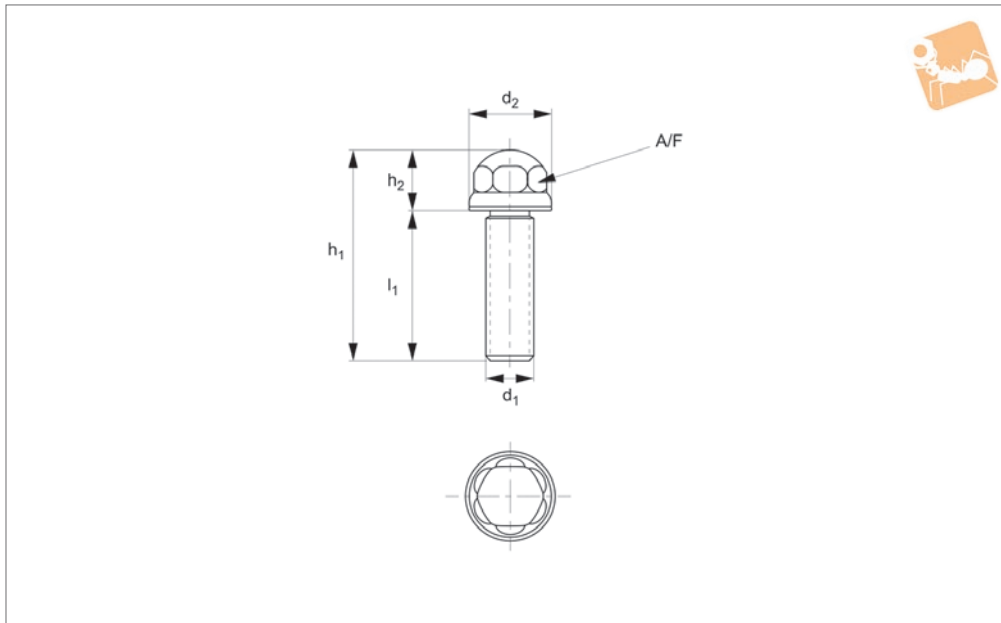
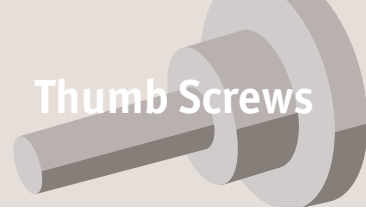


Hygienic Screws - Male

304 stainless steel

Thumb Screws



P0490

THUMB SCREWS

Material

Stainless steel (AISI 304) high-gloss polished dome-nut, FDA blue silicone gasket, 3-A accepted.

be mounted without dead spaces.

Sealing ring is hydrogenated acrylonitrile butadiene rubber (H-NBR), hardness 85±5 shore A, temp range -25°C to +150°C, blue.

Polished finish Ra < 0,8µ.

Technical Notes

For use in hygienic areas, components can

Order No.	d ₁	d ₂	h ₁	l ₁	h ₂	A/F
P0490.050-010	M5x0,8	19	24	10	14	HEX 14
P0490.050-016	M5x0,8	19	26	16	10	HEX 14
P0490.050-020	M5x0,8	19	34	20	14	HEX 14
P0490.060-012	M6x1	19	26	12	14	HEX 14
P0490.060-016	M6x1	19	30	16	14	HEX 14
P0490.060-020	M6x1	19	34	20	14	HEX 14
P0490.060-025	M6x1	19	39	25	14	HEX 14
P0490.060-030	M6x1	19	44	30	14	HEX 14
P0490.080-016	M8x1,25	24	33	16	17	HEX 17
P0490.080-020	M8x1,25	24	37	20	17	HEX 17
P0490.080-025	M8x1,25	24	42	25	17	HEX 17
P0490.080-030	M8x1,25	24	47	30	17	HEX 17
P0490.080-040	M8x1,25	24	57	40	17	HEX 17
P0490.100-020	M10x1,5	24	37	20	17	HEX 17
P0490.100-025	M10x1,5	24	42	25	17	HEX 17
P0490.100-030	M10x1,5	24	47	30	17	HEX 17
P0490.100-040	M10x1,5	24	57	40	17	HEX 17
P0490.100-050	M10x1,5	24	67	50	17	HEX 17
P0490.120-020	M12x1,75	24	27	20	7	HEX 17
P0490.120-025	M12x1,75	24	42	25	17	HEX 17
P0490.120-030	M12x1,75	24	47	30	17	HEX 17
P0490.120-040	M12x1,75	24	57	40	17	HEX 17
P0490.120-050	M12x1,75	24	67	50	17	HEX 17
P0490.160-030	M16x2	30	52	30	22	HEX 22
P0490.160-040	M16x2	30	62	40	22	HEX 22
P0490.160-050	M16x2	30	72	50	22	HEX 22
P0490.160-060	M16x2	30	82	60	22	HEX 22
P0490.160-070	M16x2	30	92	70	22	HEX 22
P0490.160-080	M16x2	30	102	80	22	HEX 22
P0490.200-030	M20x2,5	35	56	30	26	HEX 27
P0490.200-040	M20x2,5	35	66	40	26	HEX 27
P0490.200-050	M20x2,5	35	76	50	26	HEX 27



Order No.	d ₁	d ₂	h ₁	l ₁	h ₂	A/F
P0490.200-060	M20x2,5	35	86	60	26	HEX 27
P0490.200-070	M20x2,5	35	96	70	26	HEX 27
P0490.200-080	M20x2,5	35	106	80	26	HEX 27

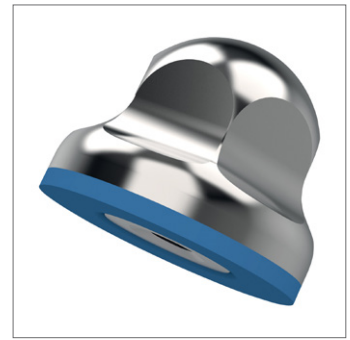
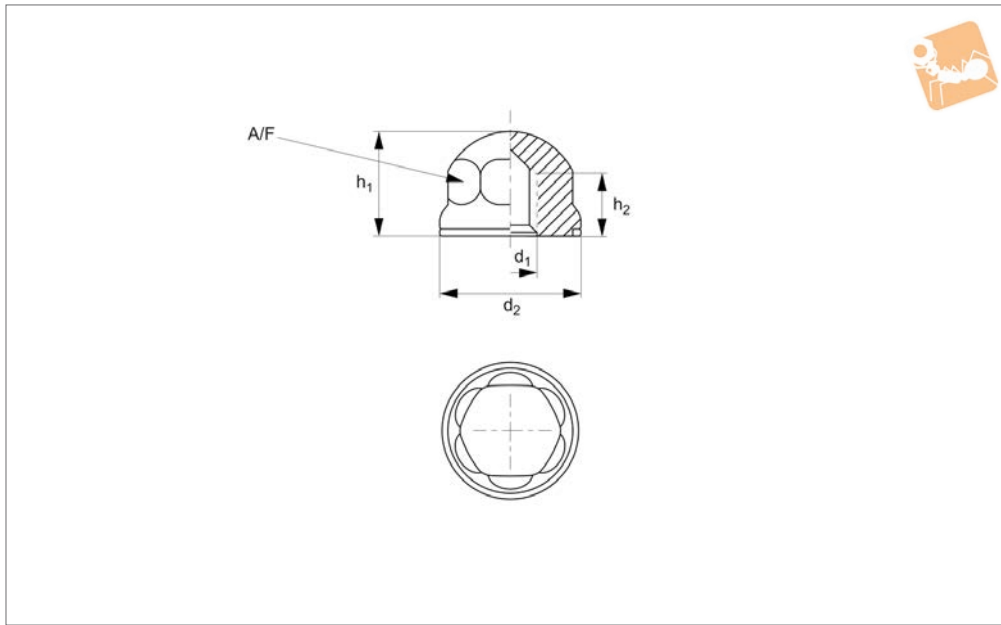


Hygienic Nuts - Female

304 stainless steel



Thumb Screws



P0491

THUMB SCREWS

Material

AISI 304 stainless steel high-gloss polished dome-nut, FDA blue silicone gasket, 3-A accepted. Available on request in AISI 316.

Technical Notes

For use in hygienic areas, components can be mounted without dead spaces. Sealing ring is hydrogenated acrylonitrile butadiene rubber (H-NBR), hardness 85±5

shore A, temp range -25°C to +150°C, blue.

Polished finish Ra < 0,8μ

Order No.	d ₁	d ₂	h ₁	h ₂	A/F
P0491.030	M 3x0,5	15	12	8	HEX 10
P0491.040	M 4x0,7	15	12	8	HEX 10
P0491.050	M 5x0,8	19	17	12	HEX 14
P0491.060	M 6x1	19	17	12	HEX 14
P0491.080	M 8x1,25	24	23	15	HEX 17
P0491.100	M10x1,5	24	23	15	HEX 17
P0491.120	M12x1,75	24	23	15	HEX 17
P0491.140	M14x2	30	28	20	HEX 22
P0491.160	M16x2	30	28	20	HEX 22
P0491.200	M20x2,5	35	34	25	HEX 27
P0491.240	M24x3	42	40	30	HEX 32