



Ball and Socket Joints

Ball and socket joints to DIN 71802 available in zinc plated steel and stainless steel.
Right and left hand threads available.

Sizes M5 up to M16.



Pages 65 - 68

Ball and Socket Joints - with sealing caps

Ball and socket joints to DIN 71802 available in zinc plated steel and stainless steel.
Right and left hand threads available.

Sizes M5 up to M16.



Pages 69 - 72

Ball and Socket Joints - with sealing caps and spanner flats

Ball and socket joints to DIN 71802 available in zinc plated steel and stainless steel.
Right and left hand threads available. Spanner flats on housing to aid installation.

Sizes M5 up to M16.



Pages 73 - 76

Axial Ball and Socket Joints

In-line ball and socket joints to DIN 71802 available in zinc plated steel and stainless steel.

Sizes M5 up to M14 x 1,5.



Pages 77 - 80

Threaded Ball Studs

Threaded ball studs to DIN 71803 form C available in zinc plated steel.

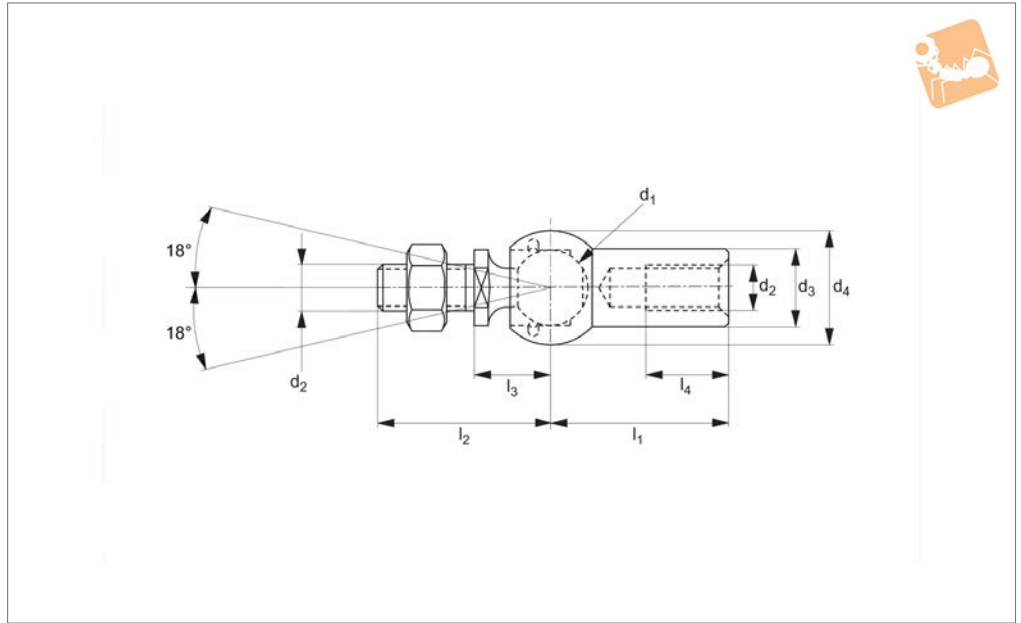
Sizes M5 up to M14.



Pages 87



R3500



Material

Steel, silver zinc plated, ball stud: minimum tensile strength $R_m=600N/mm^2$.
Housing: minimum tensile strength $R_m=500N/mm^2$.

Technical Notes

Similar to DIN 71802, *M14x1,5 is a fine pitch thread.

Tips

Standard thread is right hand, (for left hand thread see R3501).
For stainless steel version see R3506.

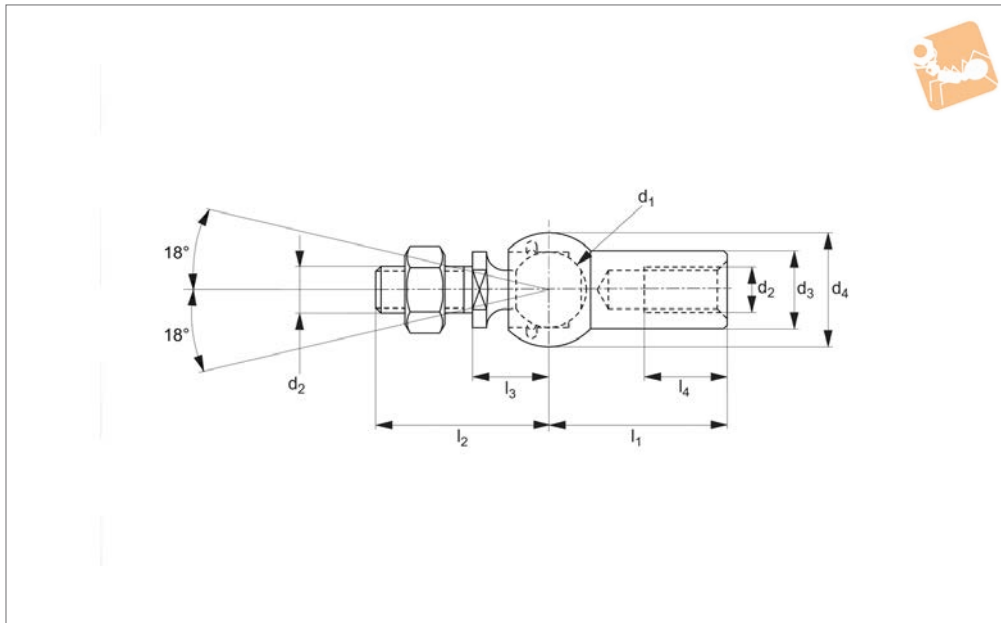
Order No.	Thread hand	d_1 tol. h9	d_2	l_1	d_3 ± 0.5	d_4 ± 0.5	l_2	l_3	l_4	Extraction force N	Weight g
R3500.R005	Right	8	M 5	22	8	12.8	19.2	9	10.2	30	15.2
R3500.R006	Right	10	M 6	25	10	14.8	23.5	11	11.5	40	25.2
R3500.R008	Right	13	M 8	30	13	19.3	29.5	13	14.0	60	53.1
R3500.R010	Right	16	M10	35	16	24.0	36.0	16	15.5	80	103.8
R3500.R014	Right	19	M14x1,5*	45	22	30.0	48.0	20	21.5	100	220.9



Axial Ball and Socket Joints

left hand thread

Ball & Socket Joints



R3501

BALL & SOCKET JOINTS

Material

Steel, silver zinc plated, ball stud:
minimum tensile strength $R_m=600N/mm^2$.
Housing: minimum tensile strength

$R_m=500N/mm^2$.

Technical Notes

Similar to DIN 71802, *M14x1,5 is a fine

pitch thread.

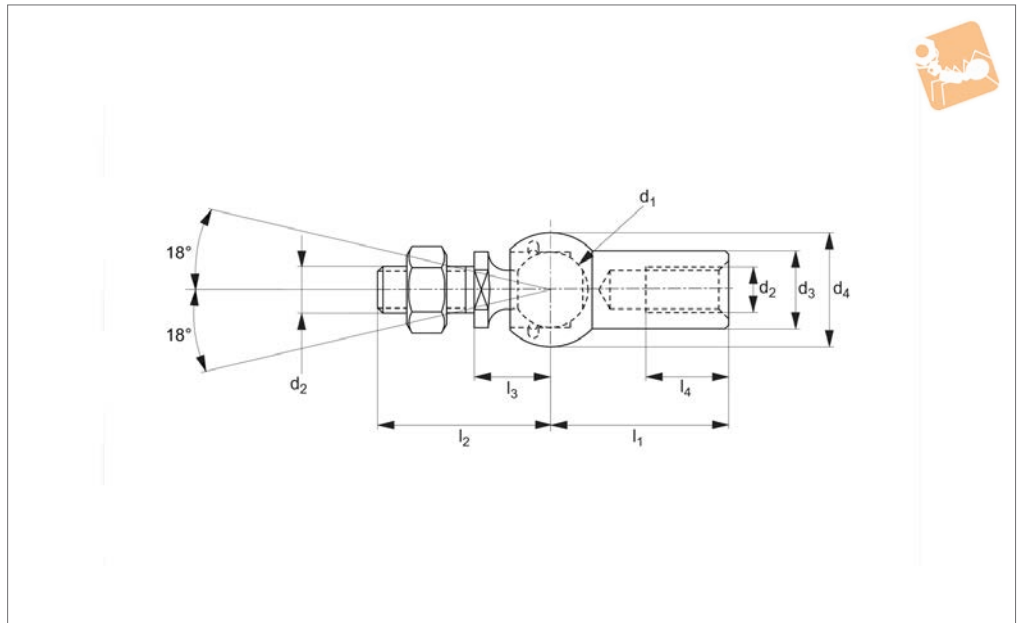
Tips

For stainless steel version see R3507.

Order No.	Thread hand	d_1 tol. h9	d_2	l_1	d_3 ± 0.5	d_4 ± 0.5	l_2	l_3	l_4	Extraction force N	Weight g
R3501.L005	Left	8	M5	22	8	12.8	19.2	9	10.2	30	15.2
R3501.L006	Left	10	M6	25	10	14.8	23.5	11	11.5	40	25.2
R3501.L008	Left	13	M8	30	13	19.3	29.5	13	14.0	60	53.1
R3501.L010	Left	16	M10	35	16	24.0	36.0	16	15.5	80	103.8
R3501.L014	Left	19	M14x1,5*	45	22	30.0	48.0	20	21.5	100	220.9



R3506



Material

Stainless steel (AISI 303).

pitch thread.

Technical Notes

Similar to DIN 71802, *M14x1,5 is a fine

Tips

Standard thread is right hand, (for left hand thread see R3507).

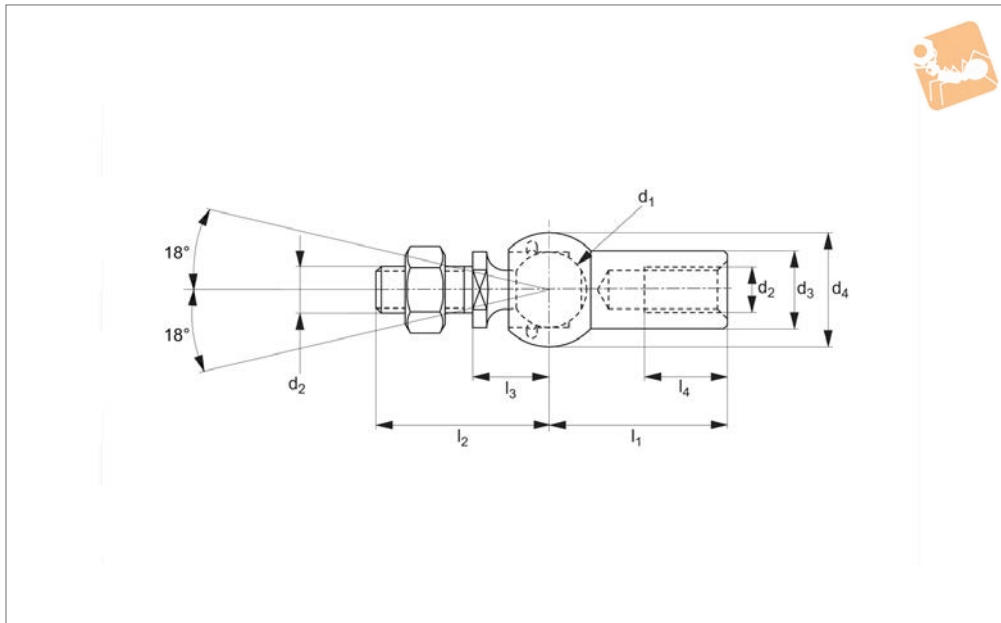
Order No.	Thread hand	d ₁ tol. h9	d ₂	l ₁	d ₃ ±0.5	d ₄ ±0.5	l ₂	l ₃	l ₄	Extraction force N	Weight g
R3506.R005	Right	8	M5	22	8	12.8	19.2	9	10.2	30	15.2
R3506.R006	Right	10	M6	25	10	14.8	23.5	11	11.5	40	25.2
R3506.R008	Right	13	M8	30	13	19.3	29.5	13	14.0	60	53.1
R3506.R010	Right	16	M10	35	16	24.0	36.0	16	15.5	80	103.8
R3506.R014	Right	19	M14x1,5*	45	22	30.0	48.0	20	21.5	100	220.9



Stainless Axial Ball and Socket Joints

left hand thread

Ball & Socket Joints



R3507

BALL & SOCKET JOINTS

Material

Stainless steel (AISI 303).

Technical Notes

Similar to DIN 71802, *M14x1,5 is a fine pitch thread.

Order No.	Thread hand	d ₁ tol. h9	d ₂	l ₁	d ₃ ±0.5	d ₄ ±0.5	l ₂	l ₃	l ₄	Extraction force N	Weight g
R3507.L005	Left	8	M5	22	8	12.8	19.2	9	10.2	30	15.2
R3507.L006	Left	10	M6	25	10	14.8	23.5	11	11.5	40	25.2
R3507.L008	Left	13	M8	30	13	19.3	29.5	13	14.0	60	53.1
R3507.L010	Left	16	M10	35	16	24.0	36.0	16	15.5	80	103.8
R3507.L014	Left	19	M14x1,5*	45	22	30.0	48.0	20	21.5	100	220.9