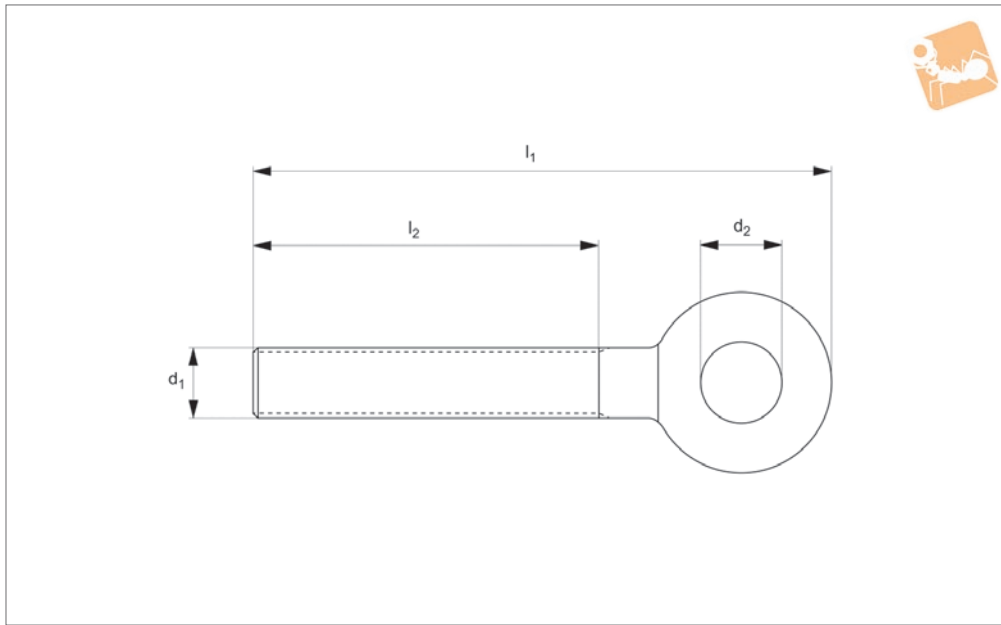
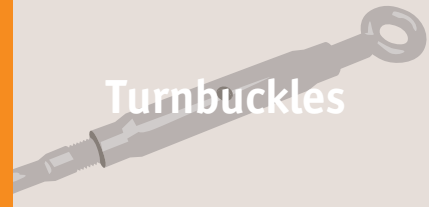




# Eyes for Turnbuckles

steel

## Turnbuckles



**R3860**

TURNBUCKLES

### Material

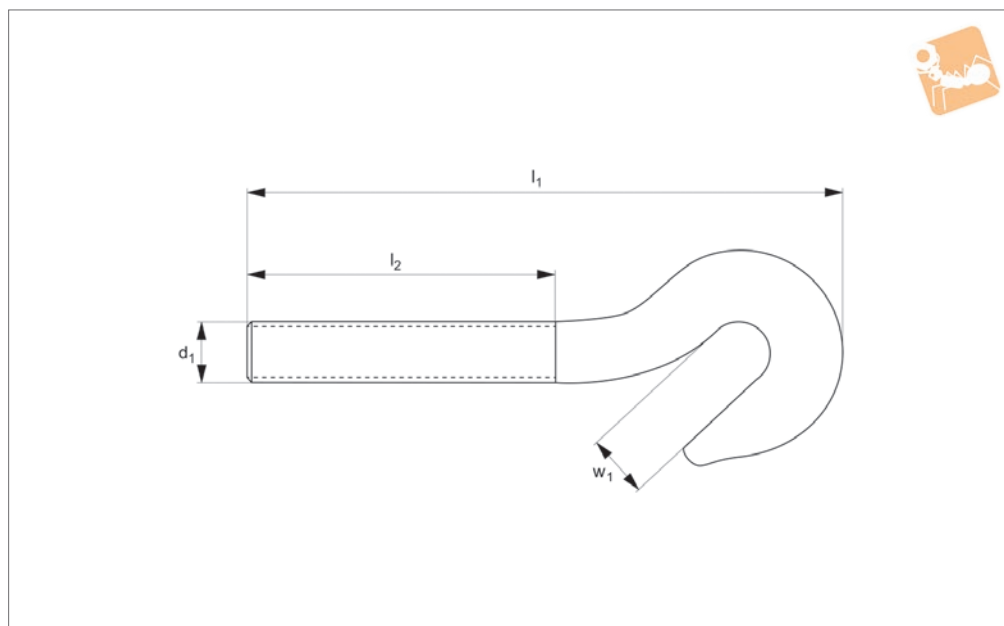
Steel (1.0037), zinc-plated.  
Hot dip galvanized version, available on request providing increased protection

against corrosion. Please add -FZ for hot dip galvanized, e.g. R3860.R006-FZ.

### Important Notes

**Turnbuckles are not to be used for lifting. Only suitable for use in tension.**

| Order No.     | Thread hand | d <sub>1</sub> | d <sub>2</sub> | l <sub>1</sub> | l <sub>2</sub> | Weight kg |
|---------------|-------------|----------------|----------------|----------------|----------------|-----------|
| R3860.R006-ZP | Right       | M 6            | 10             | 74             | 50             | 0.015     |
| R3860.R008-ZP | Right       | M 8            | 11             | 80             | 52             | 0.030     |
| R3860.R010-ZP | Right       | M10            | 15             | 95             | 59             | 0.050     |
| R3860.R012-ZP | Right       | M12            | 17             | 107            | 66             | 0.085     |
| R3860.R014-ZP | Right       | M14            | 18             | 158            | 85             | 0.130     |
| R3860.R016-ZP | Right       | M16            | 22             | 146            | 85             | 0.210     |
| R3860.R020-ZP | Right       | M20            | 24             | 170            | 100            | 0.380     |
| R3860.R022-ZP | Right       | M22            | 30             | 203            | 123            | 0.580     |
| R3860.R024-ZP | Right       | M24            | 33             | 213            | 134            | 0.830     |
| R3860.R030-ZP | Right       | M30            | 39             | 255            | 150            | 1.400     |
| R3860.R036-ZP | Right       | M36            | 37             | 260            | 150            | 2.180     |
| R3860.R042-ZP | Right       | M42            | 48             | 285            | 165            | 3.190     |
| R3860.R048-ZP | Right       | M48            | 58             | 335            | 185            | 4.970     |
| R3860.L006-ZP | Left        | M 6            | 10             | 74             | 50             | 0.015     |
| R3860.L008-ZP | Left        | M 8            | 11             | 80             | 52             | 0.030     |
| R3860.L010-ZP | Left        | M10            | 15             | 95             | 59             | 0.050     |
| R3860.L012-ZP | Left        | M12            | 17             | 107            | 66             | 0.085     |
| R3860.L014-ZP | Left        | M14            | 18             | 158            | 85             | 0.130     |
| R3860.L016-ZP | Left        | M16            | 22             | 146            | 85             | 0.210     |
| R3860.L020-ZP | Left        | M20            | 24             | 170            | 100            | 0.380     |
| R3860.L022-ZP | Left        | M22            | 30             | 203            | 123            | 0.580     |
| R3860.L024-ZP | Left        | M24            | 33             | 213            | 134            | 0.830     |
| R3860.L030-ZP | Left        | M30            | 39             | 255            | 150            | 1.400     |
| R3860.L036-ZP | Left        | M36            | 37             | 260            | 150            | 2.180     |
| R3860.L042-ZP | Left        | M42            | 48             | 285            | 165            | 3.190     |
| R3860.L048-ZP | Left        | M48            | 58             | 335            | 185            | 4.970     |


**R3862**

**Material**

Steel (1.0037).

Hot dip galvanized version, available on request providing increased protection

against corrosion. Please add -FZ for hot dip galvanized, e.g. R3862.R006-FZ.

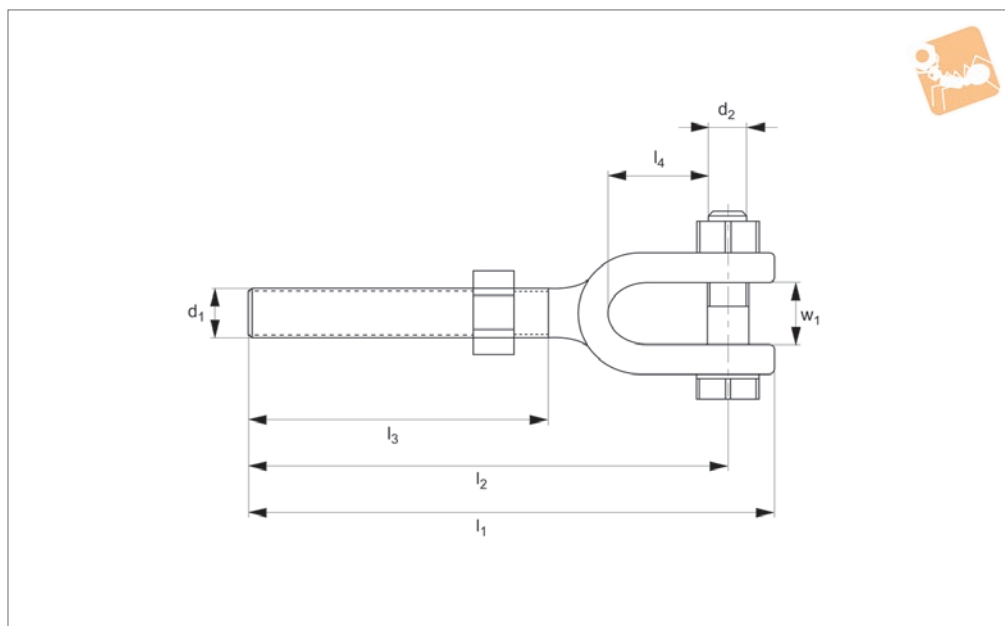
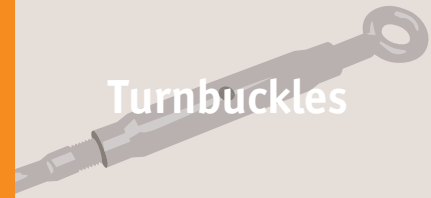
**Important Notes**
**Turnbuckles are not to be used for lifting. Only suitable for use in tension.**

| Order No.     | Thread hand | $d_1$ | $l_1$ | $l_2$ | $w_1$ | S.W.L.<br>kg | Weight<br>kg |
|---------------|-------------|-------|-------|-------|-------|--------------|--------------|
| R3862.R006-ZP | Right       | M 6   | 77.0  | 50    | 9.5   | 75           | 0.016        |
| R3862.R008-ZP | Right       | M 8   | 98.0  | 60    | 11.0  | 165          | 0.034        |
| R3862.R010-ZP | Right       | M10   | 116.5 | 73    | 14.0  | 235          | 0.060        |
| R3862.R012-ZP | Right       | M12   | 146.0 | 90    | 18.0  | 320          | 0.113        |
| R3862.R014-ZP | Right       | M14   | 140.0 | 80    | 16.0  | 420          | 0.170        |
| R3862.R016-ZP | Right       | M16   | 165.0 | 100   | 19.0  | 530          | 0.275        |
| R3862.R020-ZP | Right       | M20   | 180.0 | 105   | 21.0  | 730          | 0.440        |
| R3862.R022-ZP | Right       | M22   | 215.0 | 120   | 26.0  | 1120         | 0.685        |
| R3862.R024-ZP | Right       | M24   | 225.0 | 135   | 29.0  | 1550         | 0.765        |
| R3862.R030-ZP | Right       | M30   | 225.0 | 140   | 31.0  | 2240         | 1.325        |
| R3862.R036-ZP | Right       | M36   | 300.0 | 170   | 35.0  | 3530         | 2.285        |
| R3862.L006-ZP | Left        | M 6   | 77.0  | 50    | 9.5   | 75           | 0.016        |
| R3862.L008-ZP | Left        | M 8   | 98.0  | 60    | 11.0  | 165          | 0.034        |
| R3862.L010-ZP | Left        | M10   | 116.5 | 73    | 14.0  | 235          | 0.060        |
| R3862.L012-ZP | Left        | M12   | 146.0 | 90    | 18.0  | 320          | 0.113        |
| R3862.L014-ZP | Left        | M14   | 140.0 | 80    | 16.0  | 420          | 0.170        |
| R3862.L016-ZP | Left        | M16   | 165.0 | 100   | 19.0  | 530          | 0.275        |
| R3862.L020-ZP | Left        | M20   | 180.0 | 105   | 21.0  | 730          | 0.440        |
| R3862.L022-ZP | Left        | M22   | 215.0 | 120   | 26.0  | 1120         | 0.685        |
| R3862.L024-ZP | Left        | M24   | 225.0 | 135   | 29.0  | 1550         | 0.765        |
| R3862.L030-ZP | Left        | M30   | 225.0 | 140   | 31.0  | 2240         | 1.325        |
| R3862.L036-ZP | Left        | M36   | 300.0 | 170   | 35.0  | 3530         | 2.285        |

# Jaws for Turnbuckles

steel

## Turnbuckles



**R3864**

TURNBUCKLES

### Material

Steel (C45, 1.0503), zinc-plated.  
Hot dip galvanized version, above M12  
available on request providing increased  
protection against corrosion. Please add -

FZ for hot dip galvanized, e.g. R3864.  
R008-FZ.

**Only suitable for use in tension.**

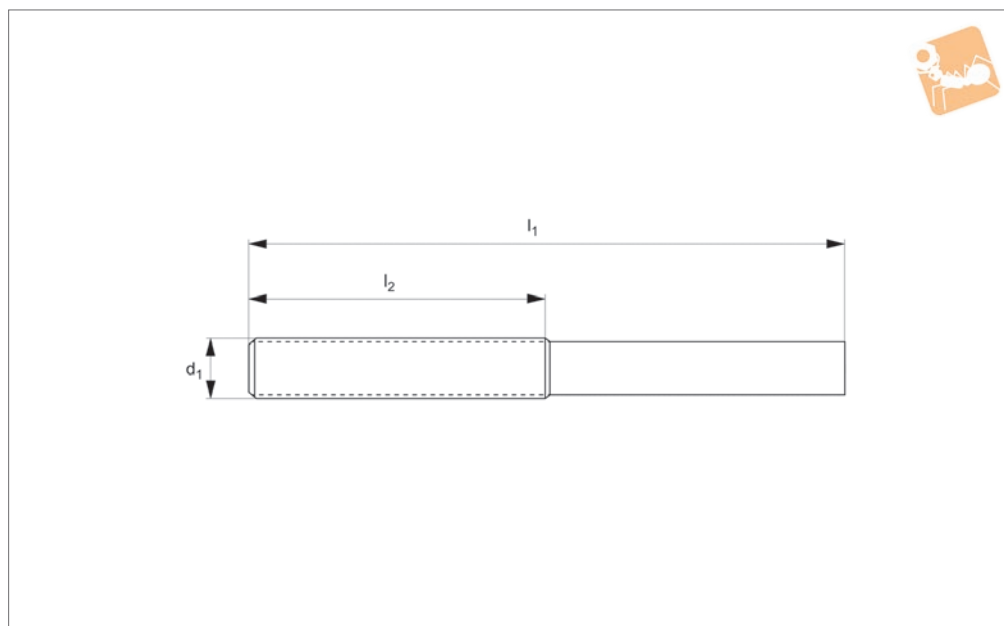
### Important Notes

**Turnbuckles are not to be used for lifting.**

| Order No.     | Thread hand | d <sub>1</sub> | d <sub>2</sub> | l <sub>1</sub> | l <sub>2</sub> | l <sub>3</sub> | l <sub>4</sub> | w <sub>1</sub> | Weight<br>kg |
|---------------|-------------|----------------|----------------|----------------|----------------|----------------|----------------|----------------|--------------|
| R3864.R008-ZP | Right       | M 8            | 8.5            | 125            | 116            | 68             | 28.75          | 9.0            | 0.095        |
| R3864.R010-ZP | Right       | M10            | 8.5            | 139            | 130            | 82             | 29.25          | 10.7           | 0.132        |
| R3864.R012-ZP | Right       | M12            | 10.5           | 160            | 150            | 90             | 44.75          | 15.5           | 0.215        |
| R3864.R016-ZP | Right       | M16            | 12.5           | 186            | 172            | 102            | 45.25          | 20.0           | 0.405        |
| R3864.R020-ZP | Right       | M20            | 17.0           | 205            | 185            | 115            | 59.50          | 23.5           | 0.812        |
| R3864.R024-ZP | Right       | M24            | 20.5           | 240            | 215            | 125            | 62.75          | 29.0           | 1.395        |
| R3864.R030-ZP | Right       | M30            | 25.0           | 290            | 255            | 150            | 89.50          | 34.0           | 2.690        |
| R3864.L008-ZP | Left        | M 8            | 8.5            | 125            | 116            | 68             | 28.75          | 9.0            | 0.095        |
| R3864.L010-ZP | Left        | M10            | 8.5            | 139            | 130            | 82             | 29.25          | 10.7           | 0.132        |
| R3864.L012-ZP | Left        | M12            | 10.5           | 160            | 150            | 90             | 44.75          | 15.5           | 0.215        |
| R3864.L016-ZP | Left        | M16            | 12.5           | 186            | 172            | 102            | 45.25          | 20.0           | 0.405        |
| R3864.L020-ZP | Left        | M20            | 17.0           | 205            | 185            | 115            | 59.50          | 23.5           | 0.812        |
| R3864.L024-ZP | Left        | M24            | 20.5           | 240            | 215            | 125            | 62.75          | 29.0           | 1.395        |
| R3864.L030-ZP | Left        | M30            | 25.0           | 290            | 255            | 150            | 89.5           | 34.0           | 2.690        |



## R3866



TURNBUCKLES

**Material**

Steel (1.0037 up to M36, above M36 1.0052).

Hot dip galvanized version, available on request providing increased protection

against corrosion. Please add -FZ for hot dip galvanized, e.g. R3866.R006-FZ.

**Technical Notes**

To DIN 34828.

**Important Notes**

**Turnbuckles are not to be used for lifting. Only suitable for use in tension.**

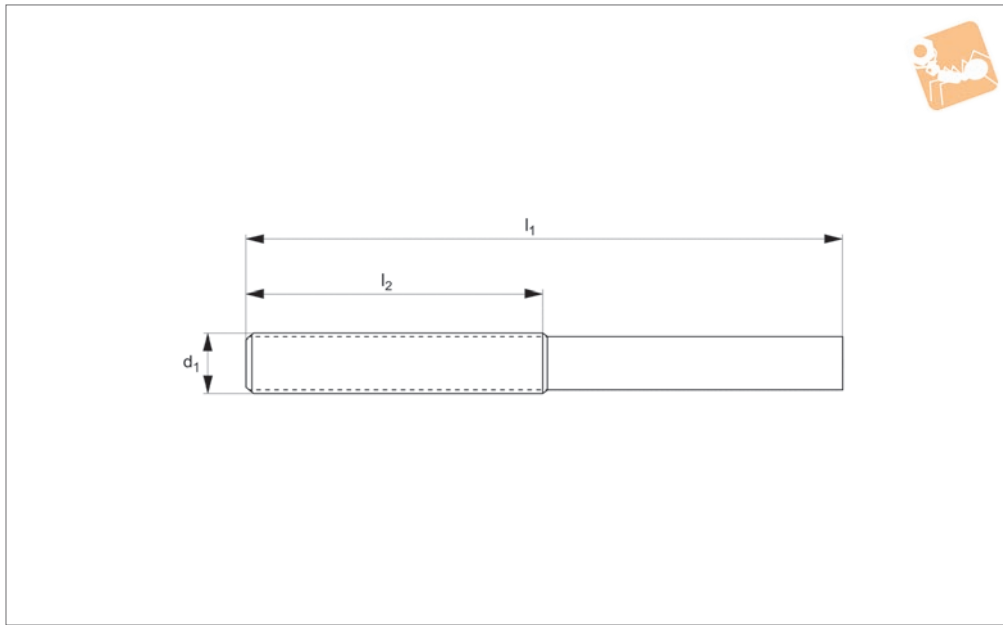
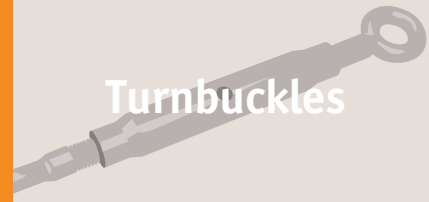
| Order No.     | Thread hand | d   | $l_1$ | $l_2$ | S.W.L.<br>kg | Weight<br>kg |
|---------------|-------------|-----|-------|-------|--------------|--------------|
| R3866.R006-ZP | Right       | M 6 | 120   | 60    | 0.02         | 0.02         |
| R3866.R008-ZP | Right       | M 8 | 120   | 65    | 0.04         | 0.04         |
| R3866.R010-ZP | Right       | M10 | 150   | 75    | 0.07         | 0.07         |
| R3866.R012-ZP | Right       | M12 | 150   | 75    | 0.11         | 0.11         |
| R3866.R014-ZP | Right       | M14 | 165   | 80    | 0.15         | 0.15         |
| R3866.R016-ZP | Right       | M16 | 200   | 100   | 0.26         | 0.26         |
| R3866.R020-ZP | Right       | M20 | 200   | 120   | 0.44         | 0.44         |
| R3866.R024-ZP | Right       | M24 | 260   | 150   | 0.76         | 0.76         |
| R3866.R030-ZP | Right       | M30 | 260   | 160   | 1.20         | 1.20         |
| R3866.R036-ZP | Right       | M36 | 300   | 180   | 2.10         | 2.10         |
| R3866.R042-ZP | Right       | M42 | 350   | 200   | 3.15         | 3.15         |
| R3866.R048-ZP | Right       | M48 | 380   | 220   | 4.60         | 4.60         |
| R3866.R056-ZP | Right       | M56 | 380   | 230   | 6.28         | 6.28         |
| R3866.R064-ZP | Right       | M64 | 425   | 300   | 9.16         | 9.16         |
| R3866.R072-ZP | Right       | M72 | 400   | 270   | 4.60         | 4.60         |
| R3866.L006-ZP | Left        | M 6 | 120   | 60    | 0.02         | 0.02         |
| R3866.L008-ZP | Left        | M 8 | 120   | 65    | 0.04         | 0.04         |
| R3866.L010-ZP | Left        | M10 | 150   | 75    | 0.07         | 0.07         |
| R3866.L012-ZP | Left        | M12 | 150   | 75    | 0.11         | 0.11         |
| R3866.L014-ZP | Left        | M14 | 165   | 80    | 0.15         | 0.15         |
| R3866.L016-ZP | Left        | M16 | 200   | 100   | 0.26         | 0.26         |
| R3866.L020-ZP | Left        | M20 | 200   | 120   | 0.44         | 0.44         |
| R3866.L024-ZP | Left        | M24 | 260   | 150   | 0.76         | 0.76         |
| R3866.L030-ZP | Left        | M30 | 260   | 160   | 1.20         | 1.20         |
| R3866.L036-ZP | Left        | M36 | 300   | 180   | 2.10         | 2.10         |
| R3866.L042-ZP | Left        | M42 | 350   | 200   | 3.15         | 3.15         |
| R3866.L048-ZP | Left        | M48 | 380   | 220   | 4.60         | 4.60         |
| R3866.L056-ZP | Left        | M56 | 380   | 230   | 6.28         | 6.28         |
| R3866.L064-ZP | Left        | M64 | 425   | 300   | 9.16         | 9.16         |
| R3866.L072-ZP | Left        | M72 | 400   | 270   | 4.60         | 4.60         |



# Welding Studs

stainless steel

# Turnbuckles



## R3868

TURNBUCKLES

### Material

Stainless steel (A4).

### Technical Notes

To DIN 34828.

### Important Notes

**Turnbuckles are not to be used for lifting.**  
**Only suitable for use in tension.**

| Order No.     | Thread hand | $d_1$ | $l_1$ | $l_2$ | Weight<br>kg |
|---------------|-------------|-------|-------|-------|--------------|
| R3868.R006-A4 | Right       | M 6   | 120   | 60    | 0.02         |
| R3868.R008-A4 | Right       | M 8   | 120   | 65    | 0.04         |
| R3868.R010-A4 | Right       | M10   | 150   | 75    | 0.07         |
| R3868.R012-A4 | Right       | M12   | 150   | 75    | 0.11         |
| R3868.R014-A4 | Right       | M14   | 165   | 80    | 0.15         |
| R3868.R016-A4 | Right       | M16   | 200   | 100   | 0.26         |
| R3868.R020-A4 | Right       | M20   | 220   | 120   | 0.44         |
| R3868.R024-A4 | Right       | M24   | 260   | 150   | 0.76         |
| R3868.R030-A4 | Right       | M30   | 260   | 160   | 1.20         |
| R3868.R036-A4 | Right       | M36   | 300   | 180   | 2.10         |
| R3868.L006-A4 | Left        | M 6   | 120   | 60    | 0.02         |
| R3868.L008-A4 | Left        | M 8   | 120   | 65    | 0.04         |
| R3868.L010-A4 | Left        | M10   | 150   | 75    | 0.07         |
| R3868.L012-A4 | Left        | M12   | 150   | 75    | 0.11         |
| R3868.L014-A4 | Left        | M14   | 165   | 80    | 0.15         |
| R3868.L016-A4 | Left        | M16   | 200   | 100   | 0.26         |
| R3868.L020-A4 | Left        | M20   | 220   | 120   | 0.44         |
| R3868.L024-A4 | Left        | M24   | 260   | 150   | 0.76         |
| R3868.L030-A4 | Left        | M30   | 260   | 160   | 1.20         |
| R3868.L036-A4 | Left        | M36   | 300   | 180   | 2.10         |