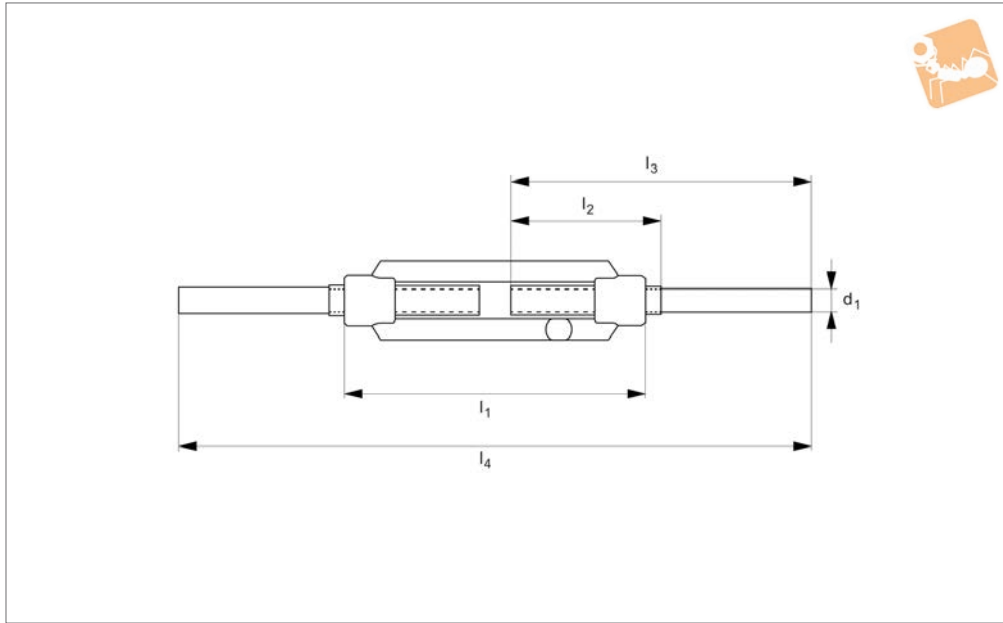
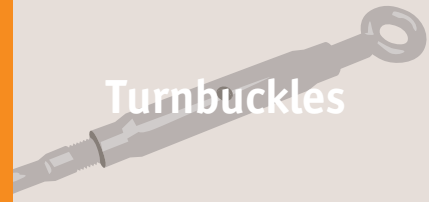


# Stub End Turnbuckles

stainless steel

## Turnbuckles



**R3836**

TURNBUCKLES

### Material

Stainless steel (A4).

### Technical Notes

To DIN 1480 stub end.

### Tips

Turnbuckles consist of a metal frame with

right hand thread one end and left hand thread the other end. Used for tensioning by rotating turnbuckle body without twisting attached rope or cable.

**Only suitable for use in tension.**

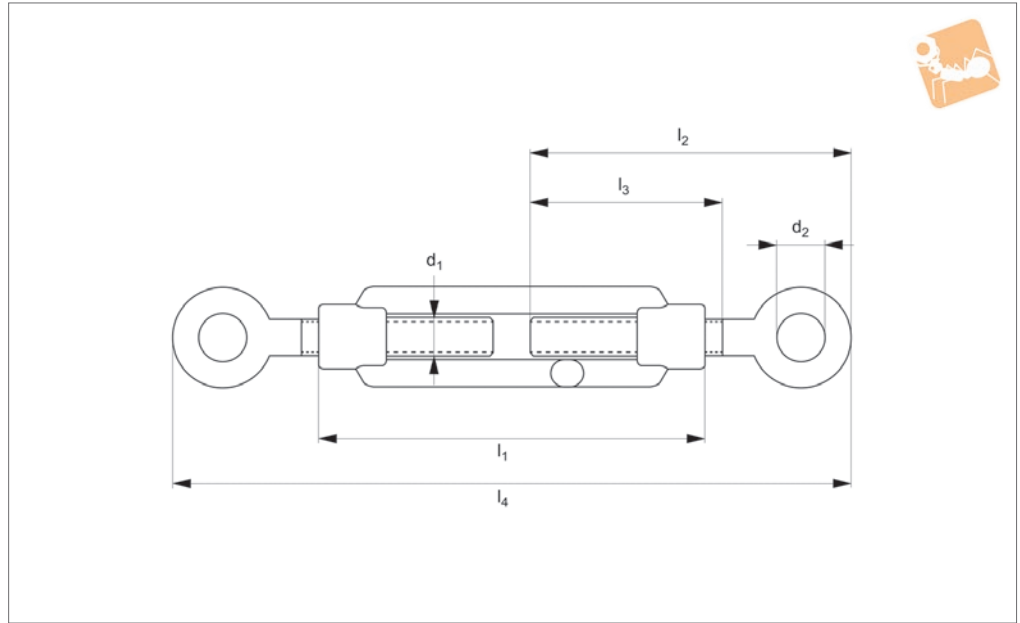
### Important Notes

**Turnbuckles are not to be used for lifting.**

Order No.	d <sub>1</sub>	l <sub>1</sub>	l <sub>2</sub>	l <sub>3</sub>	l <sub>4</sub> min.	l <sub>4</sub> max.	Weight kg
R3836.006-A4	M 6	110	60	120	240	320	0.10
R3836.008-A4	M 8	110	65	120	240	315	0.16
R3836.010-A4	M10	125	75	150	301	386	0.30
R3836.012-A4	M12	125	75	150	301	381	0.40
R3836.016-A4	M16	170	100	200	400	510	0.96
R3836.020-A4	M20	200	120	220	440	570	1.74
R3836.024-A4	M24	255	150	260	521	691	2.74



**R3842**



**Material**  
Stainless steel (A4).

**Technical Notes**  
To DIN 1480 eye to eye.

**Tips**  
Turnbuckles consist of a metal frame with

right hand thread one end and left hand thread the other end. Used for tensioning by rotating turnbuckle body without twisting attached rope or cable.

**Only suitable for use in tension.**

**Important Notes**  
**Turnbuckles are not to be used for lifting.**

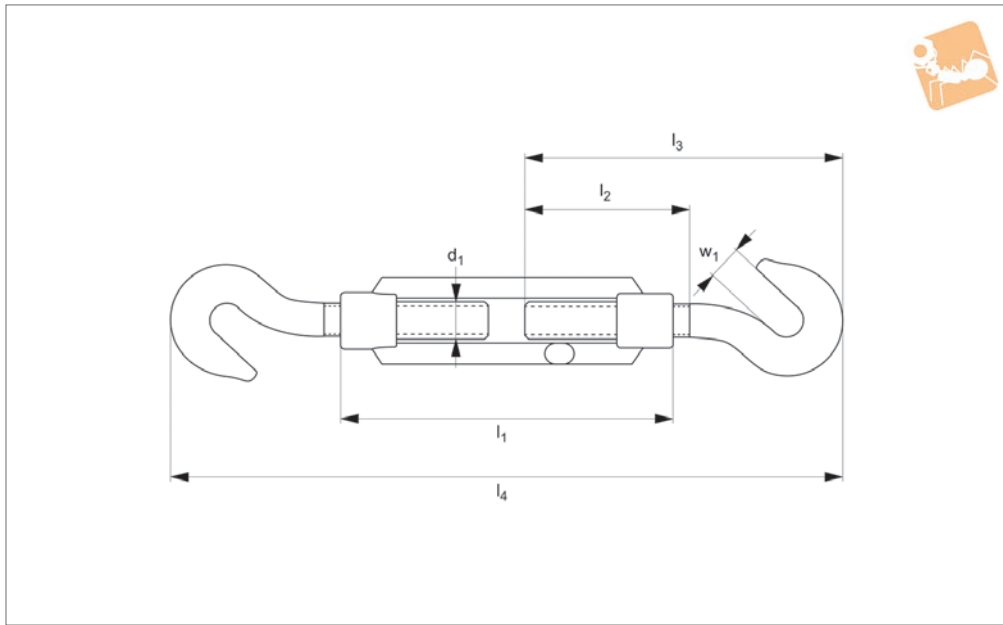
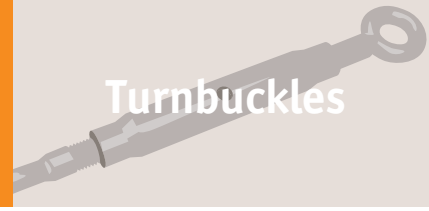
Order No.	d <sub>1</sub>	d <sub>2</sub>	l <sub>1</sub>	l <sub>2</sub>	l <sub>3</sub>	l <sub>4</sub> min.	l <sub>4</sub> max.	Weight kg
R3842.006-A4	M 6	10	110	74	50	148	228	0.09
R3842.008-A4	M 8	11	110	80	52	160	235	0.14
R3842.010-A4	M10	15	125	95	59	191	276	0.25
R3842.012-A4	M12	17	125	107	66	215	295	0.37
R3842.016-A4	M16	22	170	146	85	292	402	0.90
R3842.020-A4	M20	24	200	170	100	340	470	1.62



# Hook End Turnbuckles

stainless steel

## Turnbuckles



**R3846**

TURNBUCKLES

**Material**

Stainless steel (A4).

**Technical Notes**

To DIN 1480 hook to hook.

**Tips**

Turnbuckles consist of a metal frame with

right hand thread one end and left hand thread the other end. Used for tensioning by rotating turnbuckle body without twisting attached rope or cable.

**Only suitable for use in tension.**

**Important Notes**

**Turnbuckles are not to be used for lifting.**

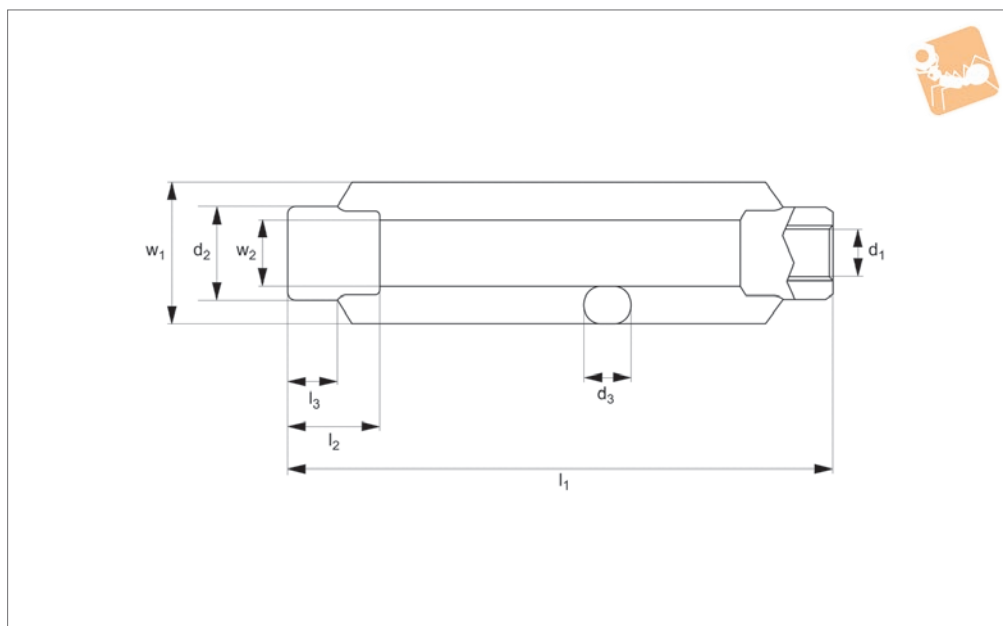
Order No.	d <sub>1</sub>	l <sub>1</sub>	l <sub>2</sub>	l <sub>3</sub>	l <sub>4</sub> min.	l <sub>4</sub> max.	w <sub>1</sub>	Weight kg
R3846.006-A4	M 6	110	50	77.0	154	234	8.0	0.09
R3846.008-A4	M 8	110	60	98.0	196	271	10.0	0.16
R3846.010-A4	M10	125	73	116.5	233	318	12.5	0.27
R3846.012-A4	M12	125	90	146.0	293	373	16.0	0.42
R3846.016-A4	M16	170	100	165.0	330	440	16.0	1.00



TURNBUCKLES



## R3832



**Material**  
Stainless steel (A4).

**Technical Notes**  
To DIN 1480.

**Tips**  
Turnbuckles consist of a metal frame with

right hand thread one end and left hand thread the other end. Used for tensioning by rotating turnbuckle body without twisting attached rope or cable.

**Only suitable for use in tension.**

**Important Notes**  
**Turnbuckles are not to be used for lifting.**

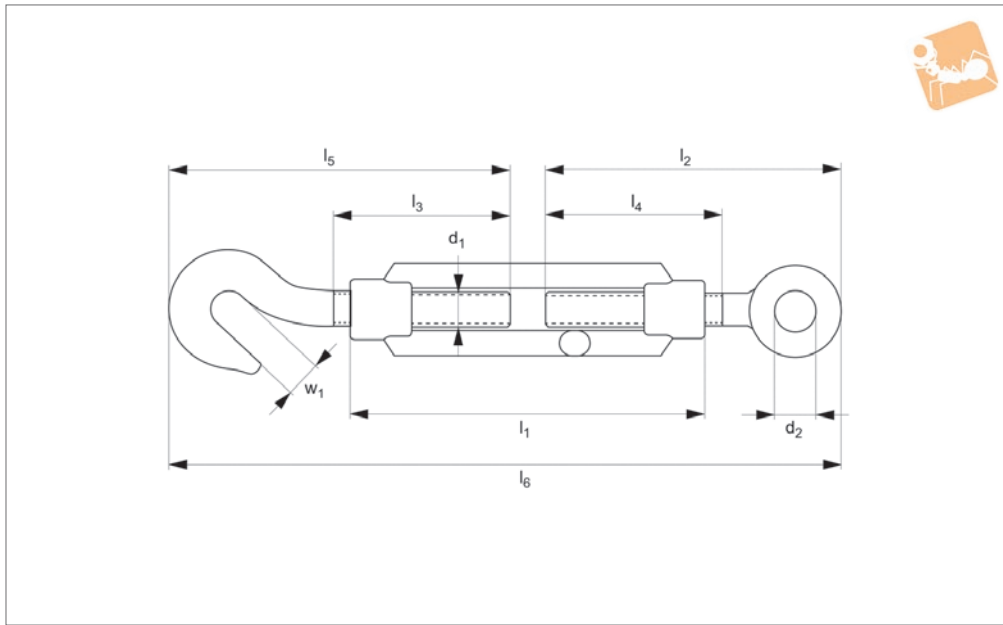
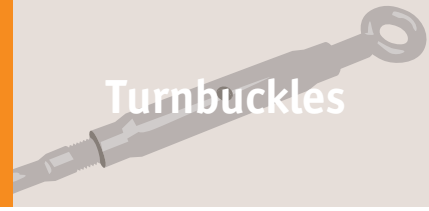
Order No.	$d_1$	$d_2$	$d_3$	$l_1$	$l_2$	$l_3$	$w_1$	$w_2$	Adjustment	Weight kg
R3832.050-070-A4	M 5	-	-	70	-	-	-	-	-	-
R3832.060-110-A4	M 6	12	6	110	12	6	19	9	80	0.06
R3832.060-090-A4	M 6	8	6	90	12	6	19	9	80	0.06
R3832.080-110-A4	M 8	15	8	110	15	8	23	11	75	0.09
R3832.100-125-A4	M10	18	9	125	18	9	30	14	85	0.15
R3832.100-150-A4	M10	16	9	150	18	9	30	14	85	0.15
R3832.120-125-A4	M12	21	11	125	21	11	34	16	80	0.20
R3832.120-200-A4	M12	18	11	200	21	11	34	16	80	0.20
R3832.160-170-A4	M16	27	14	170	27	14	42	20	110	0.44
R3832.160-250-A4	M16	26	14	250	27	14	42	20	110	0.44
R3832.200-200-A4	M20	34	17	200	34	17	52	24	130	0.44
R3832.200-300-A4	M20	30	17	300	34	17	52	24	130	0.44
R3832.240-255-A4	M24	39	20	255	39	20	60	28	170	1.20



# Hook & Eye Turnbuckles

stainless steel

## Turnbuckles



**R3852**

TURNBUCKLES

**Material**

Stainless steel (A4).

**Technical Notes**

To DIN 1480 hook & eye.

**Tips**

Turnbuckles consist of a metal frame with

right hand thread one end and left hand thread the other end. Used for tensioning by rotating turnbuckle body without twisting attached rope or cable.

**Only suitable for use in tension.**

**Important Notes**

**Turnbuckles are not to be used for lifting.**

Order No.	d <sub>1</sub>	d <sub>2</sub>	l <sub>1</sub>	l <sub>2</sub>	l <sub>3</sub>	l <sub>4</sub>	l <sub>5</sub>	l <sub>6</sub> min.	w <sub>1</sub>	Weight kg
R3852.006-A4	M 6	10	110	74	50	50	77.0	151	8.0	0.09
R3852.008-A4	M 8	11	110	80	52	60	98.0	178	10.0	0.15
R3852.010-A4	M10	15	125	95	59	73	116.5	212	12.5	0.26
R3852.012-A4	M12	17	125	107	66	90	146.0	264	16.0	0.40
R3852.016-A4	M16	22	170	146	85	100	165.0	311	16.0	0.95