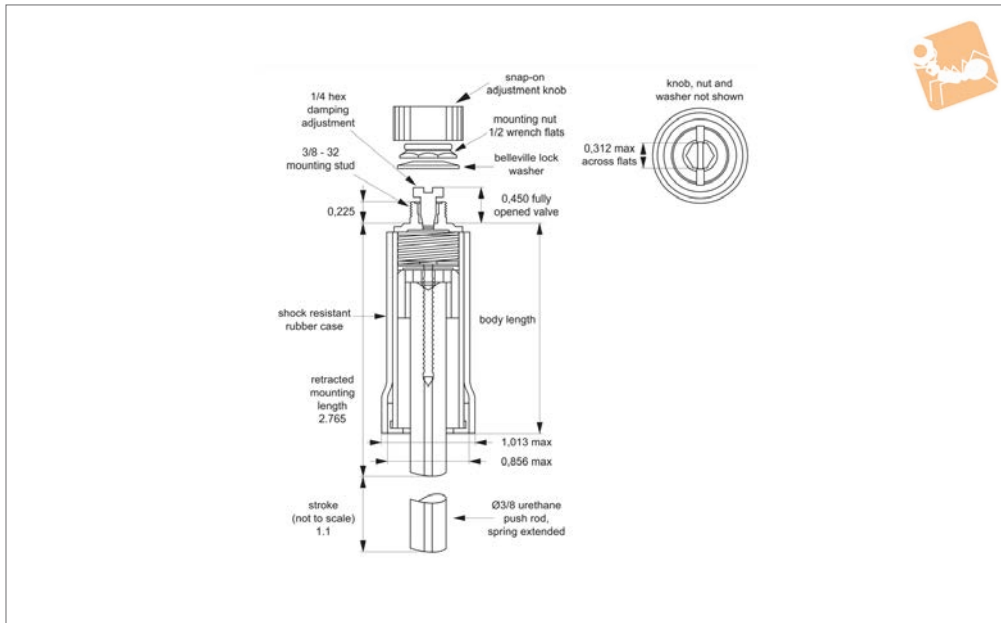




Shock Absorber

0.627" bore

Cylinders



L4620

CYLINDERS

Material

Shock resistant rubber case.
Urethane push rod.
Pyrex glass cylinder.

over +70°C).

Piston friction force without side load = less than 1 gram.

Round: 0.375" (10mm)

Suggested mounting bracket thickness: 0.060" - 0.125" (1.52 - 3.18mm)

Technical Notes

Max operating temperature: -55°C to +150°C.

(Please advise if operating at temperatures

Mounting data:

Mounting hole:

Rectangular: 0.312" x 0.375" (8mm x 10mm)

Mounting nut torque:

Head: 4-8 in-lb (0.45 to 0.90 Nm)

Level of shock absorption adjustable by hand.

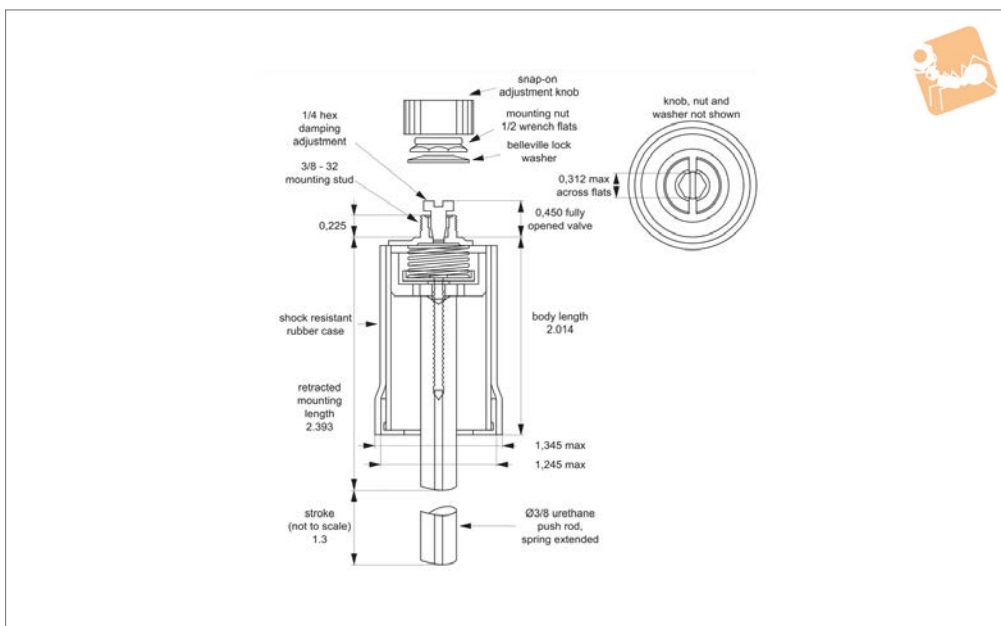
Order No.	Stroke	Energy capacity ft-lb	Spring force extended lb	Spring force retracted lb	Push rod reset time with valve fully open m/s	Push rod reset time with valve fully closed m/s	Friction coefficient
L4620.627	1,1"	0-0,3	0,16	0,28	30	50	0,2



CYLINDERS



L4622



Material

Shock resistant rubber case.
Urethane push rod.
Pyrex glass cylinder.

Technical Notes

Max operating temperature: -55°C to +150°C.

(Please advise if operating at temperatures

over +70°C).

Piston friction force without side load = less than 1 gram.

Mounting data:

Mounting hole:

Rectangular: 0.312" x 0.375" (8mm x 10mm)

Round: 0.375" (10mm)

Suggested mounting bracket thickness: 0.060" - 0.125" (1.52 - 3.18mm)

Mounting nut torque:

Head: 4-8 in-lb (0.45 to 0.90 Nm)

Level of shock absorption adjustable by hand.

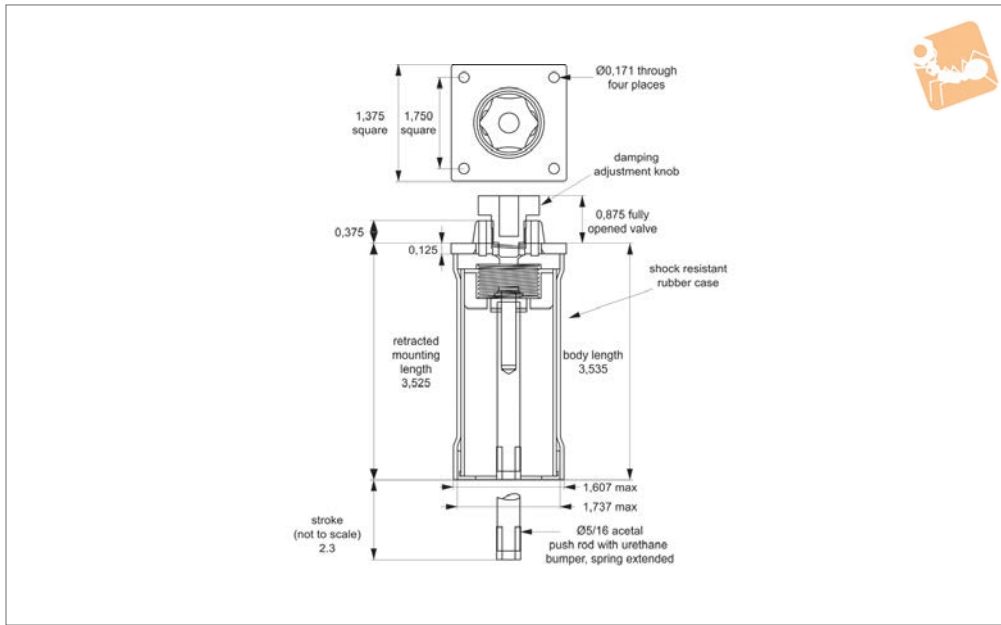
Order No.	Stroke	Energy capacity ft·lb	Spring force extended lb	Spring force retracted lb	Push rod reset time with valve fully open m/s	Push rod reset time with valve fully closed m/s	Friction coefficient
L4622.945	1,3	0-0,75	0,13	0,27	60	90	0,2



Shock Absorber

1.281" bore

Cylinders



L4624

CYLINDERS

Material

Shock resistant rubber case.
Urethane push rod.
Pyrex glass cylinder.

+150°C.

(Please advise if operating at temperatures over +70°C).

Piston friction force without side load = less than 4 grams.

Level of shock absorption adjustable by hand.

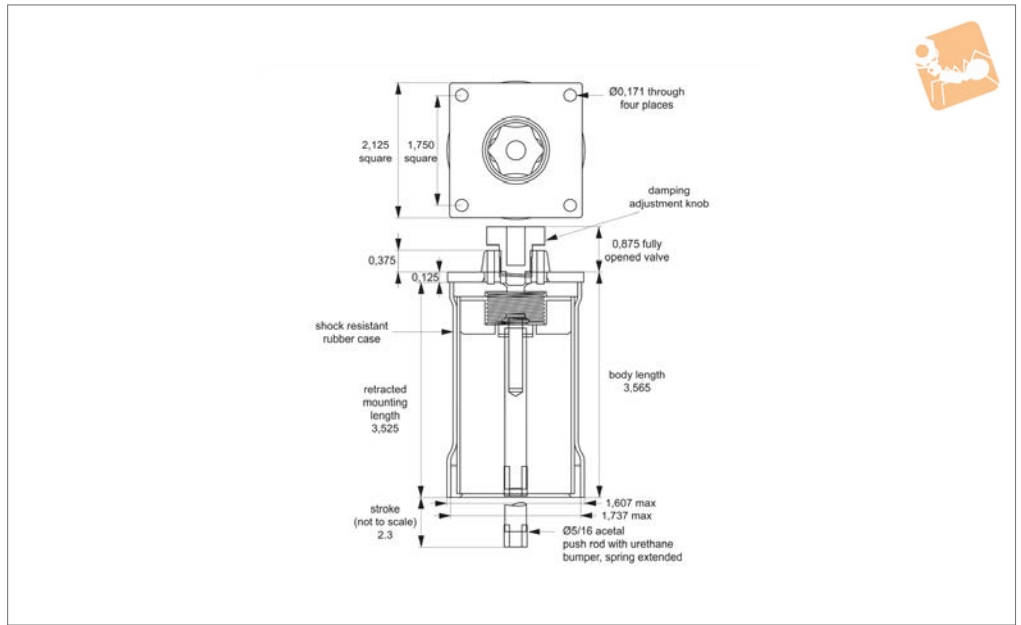
Technical Notes

Max operating temperature: -55°C to

Order No.	Stroke	Energy capacity ft·lb	Spring force extended lb	Spring force retracted lb	Push rod reset time with valve fully open m/s	Push rod reset time with valve fully closed m/s	Friction coefficient
L4624.1281	2,3"	0-3	0,25	0,5	70	150	0,2



L4626



CYLINDERS

Material

Shock resistant rubber case.
Urethane push rod.
Pyrex glass cylinder.

+150°C.
(Please advise if operating at temperatures over +70°C).
Piston friction force without side load = less than 8 gram.

Level of shock absorption adjustable by hand.

Technical Notes

Max operating temperature: -55°C to

Order No.	Stroke	Energy capacity ft·lb	Spring force extended lb	Spring force retracted lb	Push rod reset time with valve fully open m/s	Push rod reset time with valve fully closed m/s	Friction coefficient
L4626.1750	2,3"	0-7	0,25	0,5	161	430	0,2