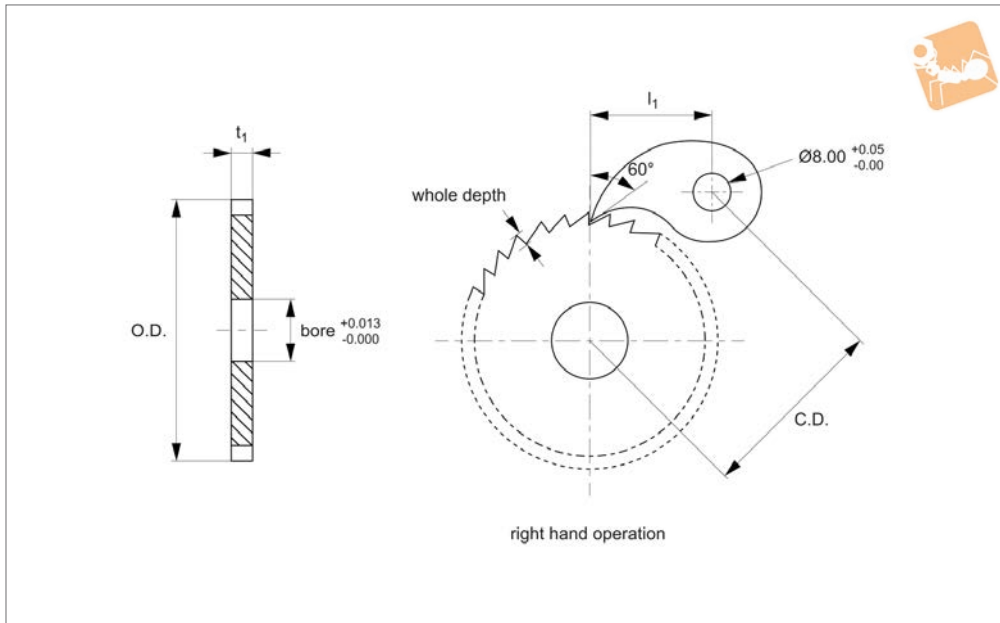




Ratchets and Pawl stainless



Other Rotary Parts



R4040

OTHER ROTARY PARTS

Material

Stainless steel 303.

Technical Notes

Right hand operation.

Order pawl and mounting shoulder screw separately.

Hardness of pawl - HRC32-38, material 17-4PH stainless steel.

Mounting shoulder screw - stainless steel 416.

Tips

Special ratchet and pawls made to order.

Order No.	No. of teeth	Module	Ø d	Bore dia.	t	C.D. +0.06 -0.00	Whole depth	Pawl
R16S120-20	20	1.59	31.7	16	9.5	38.9	3.1	Size 1
R16S120-24	24	1.59	38.1	16	9.5	40.6	3.1	Size 1
R16S120-32	32	1.59	50.8	16	9.5	44.5	3.1	Size 1
R16S120-48	48	1.59	76.2	16	9.5	53.3	3.1	Size 1
R16S120-56	56	1.59	88.9	16	9.5	58.4	3.1	Size 1
R16S120-65	65	1.59	101.6	16	9.5	63.5	3.1	Size 1
R24S106-24	24	1.05	25.4	10	6.4	28.2	1.8	Size 2
R24S106-30	30	1.05	31.7	10	6.4	30.0	1.8	Size 2
R24S106-36	36	1.05	38.1	10	6.4	32.0	1.8	Size 2
R24S106-48	48	1.05	50.8	10	6.4	36.8	1.8	Size 2
R24S106-72	72	1.05	76.2	10	6.4	47.2	1.8	Size 2
R32S103-24	21	0.79	19.0	10	3.0	26.4	1.5	Size 2
R32S103-32	32	0.79	25.4	10	3.0	28.2	1.5	Size 2
R32S103-40	40	0.79	31.7	10	3.0	30.0	1.5	Size 2
R32S103-48	48	0.79	38.1	10	3.0	32.0	1.5	Size 2
R32S103-64	64	0.79	50.8	10	3.0	36.8	1.5	Size 2
R48S103-36	36	0.53	19.0	10	3.0	26.2	0.9	Size 2
R48S103-48	48	0.53	25.4	10	3.0	28.4	0.9	Size 2
R32S103-96	96	0.79	76.2	10	3.0	47.2	1.5	Size 2
R48S103-60	60	0.53	31.7	10	3.0	30.5	0.9	Size 2
R48S103-72	72	0.53	38.1	10	3.0	32.5	0.9	Size 2
R48S103-96	96	0.53	50.8	10	3.0	37.3	0.9	Size 2
R48S103-144	144	0.53	76.2	10	3.0	47.8	0.9	Size 2



Order No.	Thickness T	Length L	Shoulder screw Order No.
RP-2M	6,2	19	PLM-28
RP-375M	9,4	33	PLM-30