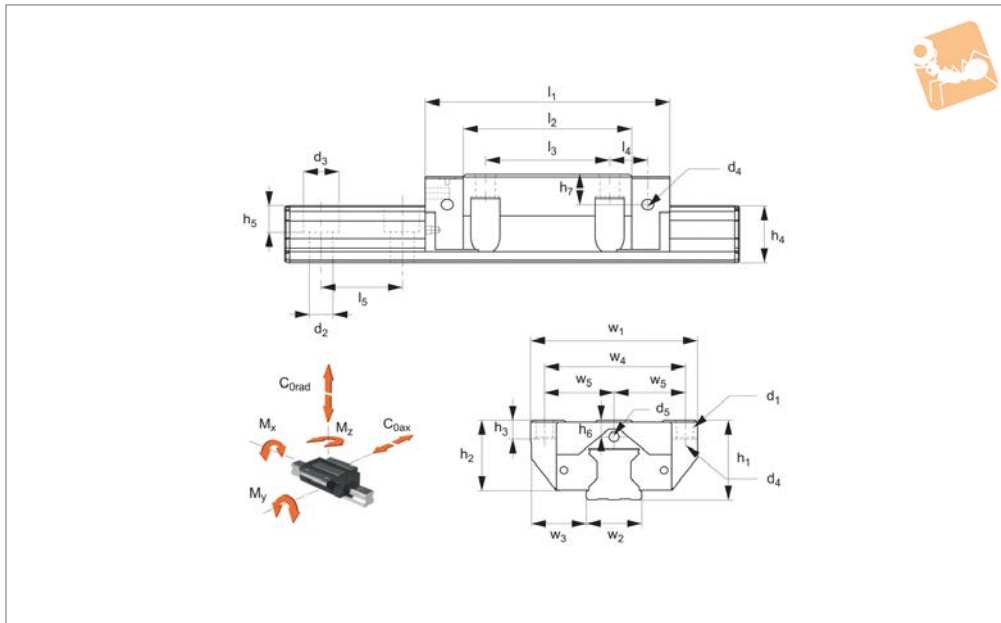




Needle Roller - Flanged Carriages

needle roller

Linear Guide-ways



L1017.F

LINEAR GUIDEWAYS

Material

Hardened and ground steel.

Technical Notes

Needle roller linear guideways can take significantly higher loads than the same size standard (ball) linear guideways. Select the size and number of carriages to

suit the required load then select the required rail length, (see part nos. L1017.25 through to L1017.65). Standard preload carriages are K_0 (no preload) or K_1 (0,02 x dynamic load capacity). Other preloads available on request.

Tips

These are very heavy duty needle roller rail carriages and can only be used with corresponding needle roller rails L1017. For standard linear guideways and carriages see part no. L1016.

| Order No. | Rail size | w ₁ | w ₂ | h ₁ | l ₁ | l ₂ | h ₂ | h ₃ | h ₄ | h ₅ | h ₆ | h ₇ | d ₁ | Weight g |
|-----------|-----------|----------------|----------------|----------------|----------------|----------------|----------------|----------------|----------------|----------------|----------------|----------------|----------------|----------|
| L1017.F35 | 35 | 100 | 34 | 48 | 122 | 84 | 42 | 13 | 31 | 17.0 | 5 | 16.4 | M10 | 1700 |
| L1017.F45 | 45 | 120 | 45 | 60 | 156 | 110 | 52 | 15 | 38 | 19.0 | 6 | 21.8 | M12 | 3400 |

| Order No. | d ₂ | d ₃ | l ₃ | l ₄ | l ₅ | w ₃ | w ₄ | w ₅ | Dyn. load C _{rad & ax} kN max. | Static load C _{0rad & ax} kN max. | Moment M _x Nm max. | Moment M _y Nm max. | Moment M _z Nm max. |
|-----------|----------------|----------------|----------------|----------------|----------------|----------------|----------------|----------------|---|--|-------------------------------|-------------------------------|-------------------------------|
| L1017.F35 | 9 | 14 | 62 | 19 | 40 | 33 | 82 | 41 | 57 | 154 | 2742 | 1946 | 1946 |
| L1017.F45 | 14 | 20 | 80 | 29.2 | 52.5 | 37.5 | 100 | 50 | 95.9 | 255 | 6350 | 4450 | 4450 |