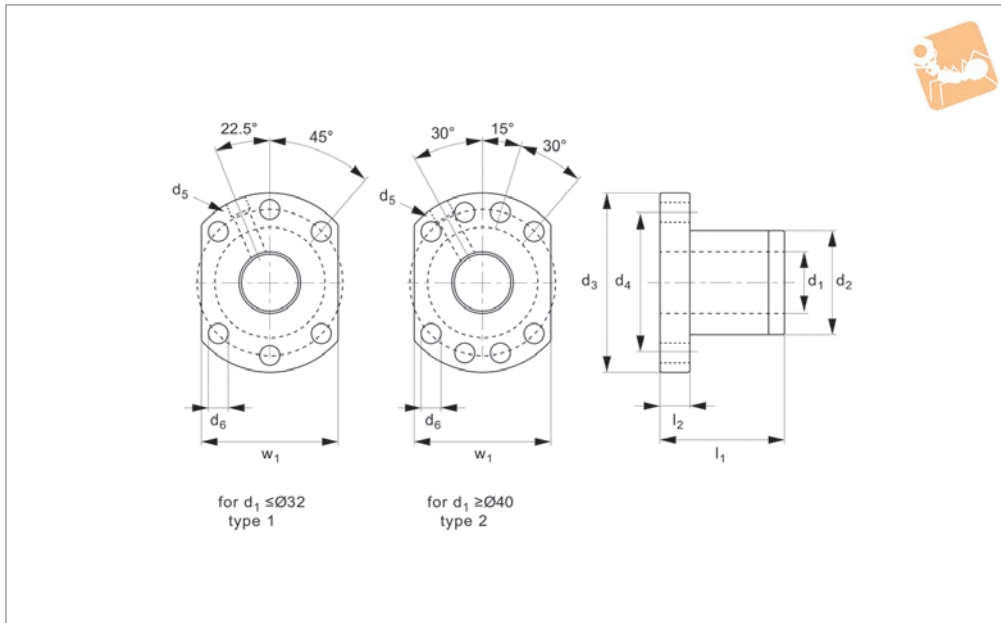
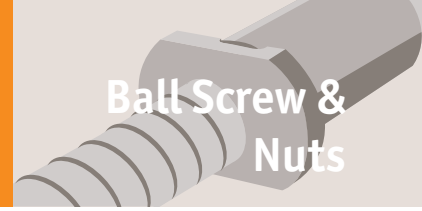




Flanged Ball Nuts

DIN 69051, form B

Ball Screw & Nuts



L1370

BALL SCREW & NUTS

Material

Steel (16MnCr5 or 100Cr6), with Vulkollan seals.

Technical Notes

To DIN 69051 form B.

Axial play for 5mm pitch = 0,05mm; for 10mm pitch = 0,10mm; for multi-starts = 0,20mm.

Preload max. 5% of max. dynamic load.

For axial run-out, concentricity and parallelism figures see technical pages.

With lubrication and fixing holes.

For use with ball screws no. L1375.

Tips

For easy mounting of the ball screw nuts see the nut bracket - part L1377.

For miniature ball screws Ø6 to Ø14 see part no. L1379.

Important Notes

Fit ball nut to screw using the sleeve provided. Offer up the ball nut to the screw and slide carefully on. Do not remove the ball nut from the sleeve provided - the ball bearings can come loose rendering the ball nut unusable.

Order No.	d ₁ for screw	Pitch	Type	d ₂ tol. G6	d ₃ ±0.15	d ₄ ±0.15	d ₅ for	d ₆	l ₁	l ₂	w ₁ ±0.15	Ball dia.	Dyn. load C max. kN	Static load C ₀ max. kN	Stiffness N/μm
L1370.16-05	16	5	Type 1	28	48	38	M 6	5,5	45	10	40	3,175	13,53	29,92	314
L1370.16-10	16	10	Type 1	28	48	38	M 6	5,5	57	10	40	3,175	10,82	23,55	255
L1370.20-05	20	5	Type 1	36	58	47	M 6	6,6	51	10	44	3,175	15,21	38,00	382
L1370.25-05	25	5	Type 1	40	62	51	M 6	6,6	51	10	48	3,175	16,91	48,09	441
L1370.25-10	25	10	Type 1	40	62	51	M 6	6,6	80	12	48	4,762	28,96	71,54	490
L1370.32-05	32	5	Type 1	50	80	65	M 6	9,0	52	12	62	3,175	18,85	62,21	529
L1370.32-10	32	10	Type 1	50	80	65	M 6	9,0	85	12	62	6,350	47,12	119,72	598
L1370.40-05	40	5	Type 2	63	93	78	M 8	9,0	55	14	70	3,175	20,69	78,34	617
L1370.40-10	40	10	Type 2	63	93	78	M 8	9,0	88	14	70	6,340	52,95	152,00	715
L1370.50-10	50	10	Type 2	75	110	93	M 8	11,0	88	16	85	6,350	58,88	192,35	833
L1370.63-10	63	10	Type 2	90	125	108	M 8	11,0	93	18	95	6,350	65,89	248,68	970
L1370.80-10	80	10	Type 2	105	145	125	M 8	13,5	93	20	110	6,350	72,04	313,36	1068