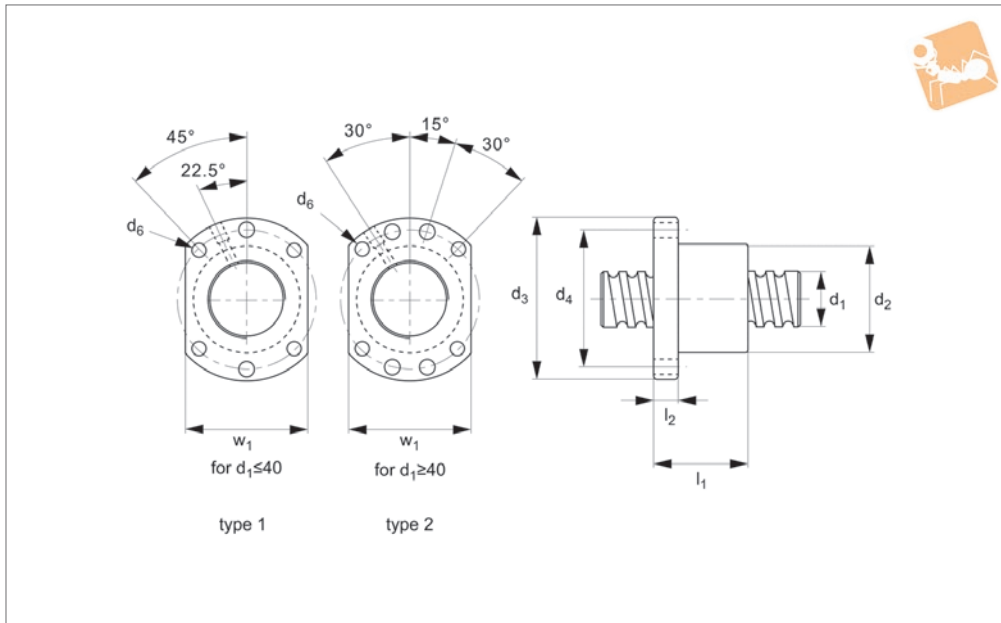
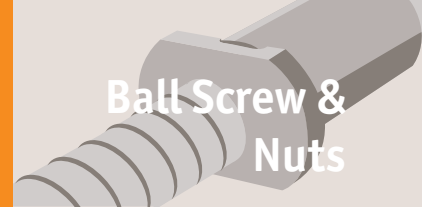




Flanged Ball Nuts- Anti corrosion

DIN 69051, form B

Ball Screw & Nuts



L1377

BALL SCREW & NUTS

Material

Black chrome steel (16MnCr5 or 100Cr6), with Vulkolan seals. Precision class C7.

Technical Notes

Axial play for 5mm pitch = 0,05mm; for 10mm pitch = 0,10mm; for multi-starts = 0,20mm.
Preload max. 5% of max. dynamic load.
For axial run-out, concentricity and paral-

lism figures see technical pages. With lubrication and fixing holes. For use with ball screws no. L1377. Anti corrosion finish consists of a thin layer of black chrome and produces good resistance to wear, and a protective effect against corrosion. Layer thickness 2-10µm.

Tips

For easy mounting of the ball screw nuts

see the nut bracket - part L1377.

Important Notes

Fit ball nut to screw using the sleeve provided. Offer up the ball nut to the screw and slide carefully on. Do not remove the ball nut from the sleeve provided - the ball bearings can come loose rendering the ball nut unusable.

Order No.	Type	Pitch	d ₁ for screw	l ₁	l ₂	d ₂ tol. G6	d ₃ ±0.15	d ₄ ±0.15	d ₅ for	d ₆	w ₁ ±0.15	Ball dia.	Dyn. load C kN max.	Static load C ₀ kN max.
L1377.16-05	Type 1	5	16	45	10	28	48	38	M 6	5.5	40	3.175	13.53	29.92
L1377.20-05	Type 1	5	20	51	10	36	58	47	M 6	6.6	44	3.175	15.21	38.00
L1377.25-05	Type 1	5	25	51	10	40	62	51	M 6	6.6	48	3.175	16.91	48.09
L1377.25-10	Type 1	10	25	80	12	40	62	51	M 6	6.6	48	4.762	28.96	71.54
L1377.32-05	Type 1	5	32	52	12	50	80	65	M 6	9.0	62	3.175	18.85	62.21
L1377.32-10	Type 1	10	32	85	12	50	80	65	M 6	9.0	62	6.350	47.12	119.72
L1377.40-05	Type 2	5	40	55	14	63	93	78	M 8	9.0	70	3.175	20.69	78.34
L1377.40-10	Type 2	10	40	88	14	63	93	78	M 8	9.0	70	6.340	52.95	152.00