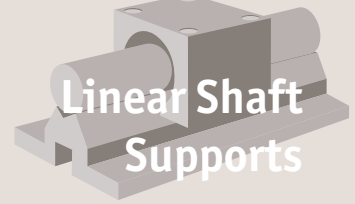


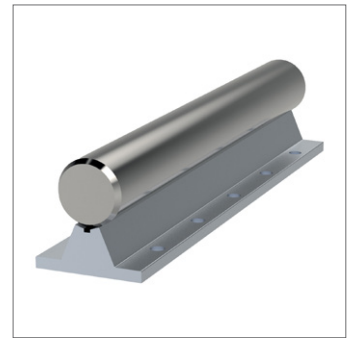
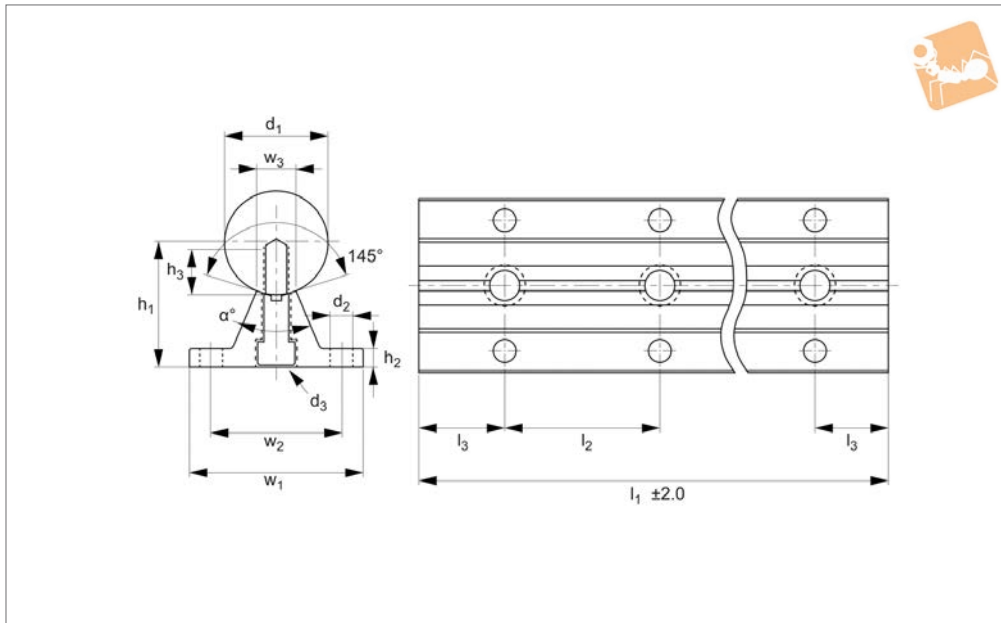


30Ø Shaft Support Rails

complete stainless and aluminium support



Linear Shaft Supports



L1781.30

LINEAR SHAFT SUPPORTS

Material

Hardened and ground stainless steel shaft (440C), aluminium alloy support rail.
Surface hardness of shaft 60-65 HRC.

Technical Notes

For open linear bushings, ensures a very rigid and stiff system.

The shaft is pre-mounted to the shaft support rail.

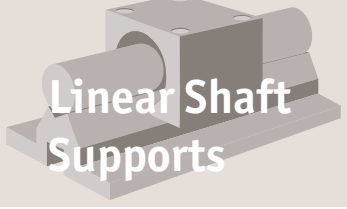
Standard lengths are shown which allow the distance to the first and last hole to be equal (ie $l_2/2$). Different holes pitches available on request.

Straightness: $\pm 0.1\text{mm/metre}$.

Tips

For linear carriages see part no. L1755 (flanged) or L1752 (unflanged).
Stainless steel carriages also available, see part no. L1756 (flanged) or L1753 (unflanged).

Order No.	d_1 tol. h6	d_2	d_3	l_1	l_2	l_3	w_1	w_2	w_3	h_1 ± 0.02	h_2	h_3	α °
L1781.30-0400	30	9	M10x35	400	200	100	69	51	11	42	7	17	50
L1781.30-0600	30	9	M10x35	600	200	100	69	51	11	42	7	17	50
L1781.30-0800	30	9	M10x35	800	200	100	69	51	11	42	7	17	50
L1781.30-1000	30	9	M10x35	1000	200	100	69	51	11	42	7	17	50
L1781.30-1200	30	9	M10x35	1200	200	100	69	51	11	42	7	17	50
L1781.30-1400	30	9	M10x35	1400	200	100	69	51	11	42	7	17	50
L1781.30-1600	30	9	M10x35	1600	200	100	69	51	11	42	7	17	50
L1781.30-1800	30	9	M10x35	1800	200	100	69	51	11	42	7	17	50
L1781.30-2000	30	9	M10x35	2000	200	100	69	51	11	42	7	17	50
L1781.30-2200	30	9	M10x35	2200	200	100	69	51	11	42	7	17	50
L1781.30-2400	30	9	M10x35	2400	200	100	69	51	11	42	7	17	50
L1781.30-2600	30	9	M10x35	2600	200	100	69	51	11	42	7	17	50
L1781.30-2800	30	9	M10x35	2800	200	100	69	51	11	42	7	17	50
L1781.30-3000	30	9	M10x35	3000	200	100	69	51	11	42	7	17	50
L1781.30-3200	30	9	M10x35	3200	200	100	69	51	11	42	7	17	50
L1781.30-3400	30	9	M10x35	3400	200	100	69	51	11	42	7	17	50
L1781.30-3600	30	9	M10x35	3600	200	100	69	51	11	42	7	17	50
L1781.30-3800	30	9	M10x35	3800	200	100	69	51	11	42	7	17	50
L1781.30-4000	30	9	M10x35	4000	200	100	69	51	11	42	7	17	50
L1781.30-4200	30	9	M10x35	4200	200	100	69	51	11	42	7	17	50
L1781.30-4400	30	9	M10x35	4400	200	100	69	51	11	42	7	17	50
L1781.30-4600	30	9	M10x35	4600	200	100	69	51	11	42	7	17	50
L1781.30-4800	30	9	M10x35	4800	200	100	69	51	11	42	7	17	50
L1781.30-5000	30	9	M10x35	5000	200	100	69	51	11	42	7	17	50
L1781.30-5200	30	9	M10x35	5200	200	100	69	51	11	42	7	17	50
L1781.30-5400	30	9	M10x35	5400	200	100	69	51	11	42	7	17	50
L1781.30-5600	30	9	M10x35	5600	200	100	69	51	11	42	7	17	50
L1781.30-5800	30	9	M10x35	5800	200	100	69	51	11	42	7	17	50
L1781.30-6000	30	9	M10x35	6000	200	100	69	51	11	42	7	17	50



Linear Shaft Supports

30Ø Shaft Support Rails
complete stainless and aluminium support



LINEAR SHAFT SUPPORTS

