

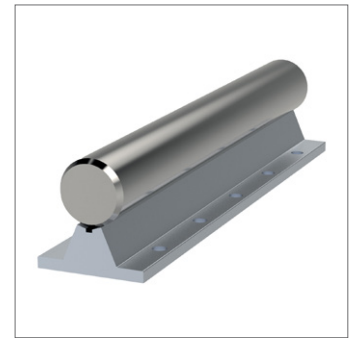
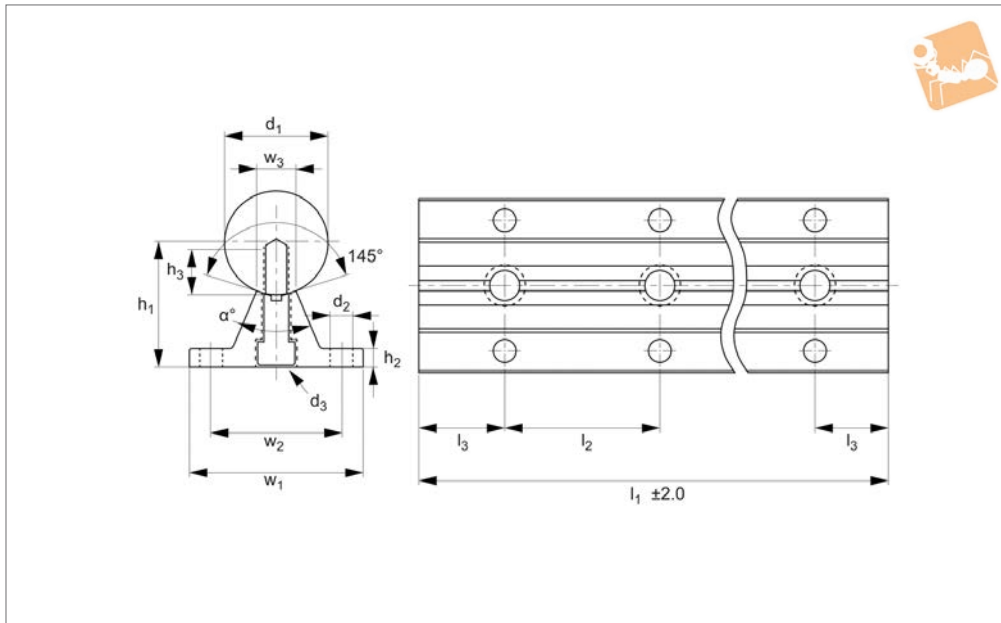


60Ø Shaft Support Rails

complete stainless and aluminium support



Linear Shaft Supports



L1781.60

LINEAR SHAFT SUPPORTS

Material

Hardened and ground stainless steel shaft (440C), aluminium alloy support rail.
Surface hardness of shaft 60-65 HRC.

Technical Notes

For open linear bushings, ensures a very rigid and stiff system.

The shaft is pre-mounted to the shaft support rail.

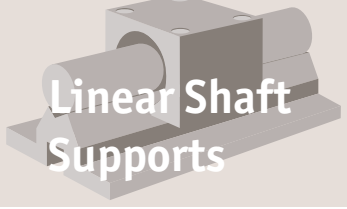
Standard lengths are shown which allow the distance to the first and last hole to be equal (ie $l_2/2$). Different holes pitches available on request.

Straightness: $\pm 0.1\text{mm/metre}$.

Tips

For linear carriages see part no. L1755 (flanged) or L1752 (unflanged).
Stainless steel carriages also available, see part no. L1756 (flanged) or L1753 (unflanged).

Order No.	d_1 tol. h6	d_2	d_3	l_1	l_2	l_3	w_1	w_2	w_3	h_1 ± 0.02	h_2	h_3	α °
L1781.60-0600	60	11	M14x50	600	300	150	94	72	25	68	10	25	46
L1781.60-0900	60	11	M14x50	900	300	150	94	72	25	68	10	25	46
L1781.60-1200	60	11	M14x50	1200	300	150	94	72	25	68	10	25	46
L1781.60-1500	60	11	M14x50	1500	300	150	94	72	25	68	10	25	46
L1781.60-1800	60	11	M14x50	1800	300	150	94	72	25	68	10	25	46
L1781.60-2100	60	11	M14x50	2100	300	150	94	72	25	68	10	25	46
L1781.60-2400	60	11	M14x50	2400	300	150	94	72	25	68	10	25	46
L1781.60-2700	60	11	M14x50	2700	300	150	94	72	25	68	10	25	46
L1781.60-3000	60	11	M14x50	3000	300	150	94	72	25	68	10	25	46
L1781.60-3300	60	11	M14x50	3300	300	150	94	72	25	68	10	25	46
L1781.60-3600	60	11	M14x50	3600	300	150	94	72	25	68	10	25	46
L1781.60-3900	60	11	M14x50	3900	300	150	94	72	25	68	10	25	46
L1781.60-4200	60	11	M14x50	4200	300	150	94	72	25	68	10	25	46
L1781.60-4500	60	11	M14x50	4500	300	150	94	72	25	68	10	25	46
L1781.60-4800	60	11	M14x50	4800	300	150	94	72	25	68	10	25	46
L1781.60-5100	60	11	M14x50	5100	300	150	94	72	25	68	10	25	46
L1781.60-5400	60	11	M14x50	5400	300	150	94	72	25	68	10	25	46
L1781.60-5700	60	11	M14x50	5700	300	150	94	72	25	68	10	25	46
L1781.60-6000	60	11	M14x50	6000	300	150	94	72	25	68	10	25	46



Linear Shaft Supports

60Ø Shaft Support Rails
complete stainless and aluminium support



LINEAR SHAFT SUPPORTS

