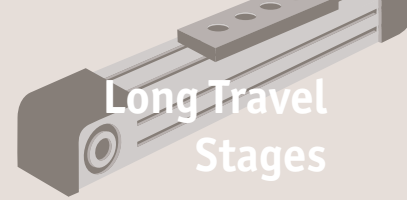


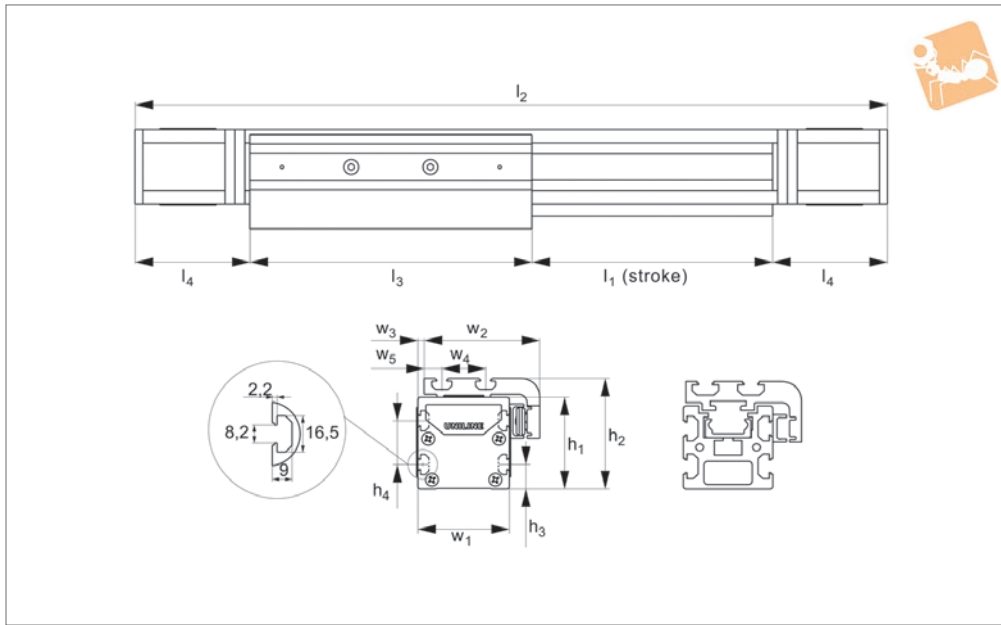


# Medium Duty Belt Driven Unit

size 55



Long Travel Stages



L3004.E55

LONG TRAVEL STAGES

### Material

Special sliders on a pair of hardened steel rails, encased in an aluminium profile.

### Technical Notes

Any length overall stroke unit can be supplied (up to 3,0 metres in a single section) for the E55 series. Longer strokes

available.

Longer carriages and double carriages are available which increase the load capacity of the units.

### Tips

See technical pages for more information on belt specification, long carriages,

double carriages and motor connections. Can easily be combined to make an XY, XYZ or other set up gantry system.

### Important Notes

For extra rigidity and where significant  $M_x$  moment loads are present.

Order No.	$l_1$	$l_2$	$l_3$	$l_4$	$h_1$ & $w_1$	$h_2$	$h_3$	$h_4$	$w_2$	$w_3$	$w_4$	$w_5$	$C_{0ax}$ N	$C_{0rad}$ N	$M_x$ Nm	$M_y$ Nm	$M_z$ Nm
L3004.E55-0100	100	516	200	108	55	71	15	25	71	1.5	28	12	1500	2175	25.5	43.4	54.4
L3004.E55-0200	200	616	200	108	55	71	15	25	71	1.5	28	12	1500	2175	25.5	43.4	54.4
L3004.E55-0300	300	716	200	108	55	71	15	25	71	1.5	28	12	1500	2175	25.5	43.4	54.4
L3004.E55-0400	400	816	200	108	55	71	15	25	71	1.5	28	12	1500	2175	25.5	43.4	54.4
L3004.E55-0500	500	916	200	108	55	71	15	25	71	1.5	28	12	1500	2175	25.5	43.4	54.4
L3004.E55-0600	600	1016	200	108	55	71	15	25	71	1.5	28	12	1500	2175	25.5	43.4	54.4
L3004.E55-0700	700	1116	200	108	55	71	15	25	71	1.5	28	12	1500	2175	25.5	43.4	54.4
L3004.E55-0800	800	1216	200	108	55	71	15	25	71	1.5	28	12	1500	2175	25.5	43.4	54.4
L3004.E55-0900	900	1316	200	108	55	71	15	25	71	1.5	28	12	1500	2175	25.5	43.4	54.4
L3004.E55-1000	1000	1416	200	108	55	71	15	25	71	1.5	28	12	1500	2175	25.5	43.4	54.4
L3004.E55-1100	1100	1516	200	108	55	71	15	25	71	1.5	28	12	1500	2175	25.5	43.4	54.4
L3004.E55-1200	1200	1616	200	108	55	71	15	25	71	1.5	28	12	1500	2175	25.5	43.4	54.4
L3004.E55-1300	1300	1716	200	108	55	71	15	25	71	1.5	28	12	1500	2175	25.5	43.4	54.4
L3004.E55-1400	1400	1816	200	108	55	71	15	25	71	1.5	28	12	1500	2175	25.5	43.4	54.4
L3004.E55-1500	1500	1916	200	108	55	71	15	25	71	1.5	28	12	1500	2175	25.5	43.4	54.4
L3004.E55-1600	1600	2016	200	108	55	71	15	25	71	1.5	28	12	1500	2175	25.5	43.4	54.4
L3004.E55-1700	1700	2116	200	108	55	71	15	25	71	1.5	28	12	1500	2175	25.5	43.4	54.4
L3004.E55-1800	1800	2216	200	108	55	71	15	25	71	1.5	28	12	1500	2175	25.5	43.4	54.4
L3004.E55-1900	1900	2316	200	108	55	71	15	25	71	1.5	28	12	1500	2175	25.5	43.4	54.4
L3004.E55-2000	2000	2416	200	108	55	71	15	25	71	1.5	28	12	1500	2175	25.5	43.4	54.4
L3004.E55-2100	2100	2516	200	108	55	71	15	25	71	1.5	28	12	1500	2175	25.5	43.4	54.4
L3004.E55-2200	2200	2616	200	108	55	71	15	25	71	1.5	28	12	1500	2175	25.5	43.4	54.4
L3004.E55-2300	2300	2716	200	108	55	71	15	25	71	1.5	28	12	1500	2175	25.5	43.4	54.4
L3004.E55-2400	2400	2816	200	108	55	71	15	25	71	1.5	28	12	1500	2175	25.5	43.4	54.4
L3004.E55-2500	2500	2916	200	108	55	71	15	25	71	1.5	28	12	1500	2175	25.5	43.4	54.4
L3004.E55-2600	2600	3016	200	108	55	71	15	25	71	1.5	28	12	1500	2175	25.5	43.4	54.4
L3004.E55-2700	2700	3116	200	108	55	71	15	25	71	1.5	28	12	1500	2175	25.5	43.4	54.4
L3004.E55-2800	2800	3216	200	108	55	71	15	25	71	1.5	28	12	1500	2175	25.5	43.4	54.4
L3004.E55-2900	2900	3316	200	108	55	71	15	25	71	1.5	28	12	1500	2175	25.5	43.4	54.4
L3004.E55-3000	3000	3416	200	108	55	71	15	25	71	1.5	28	12	1500	2175	25.5	43.4	54.4