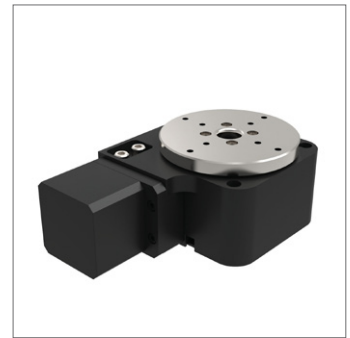
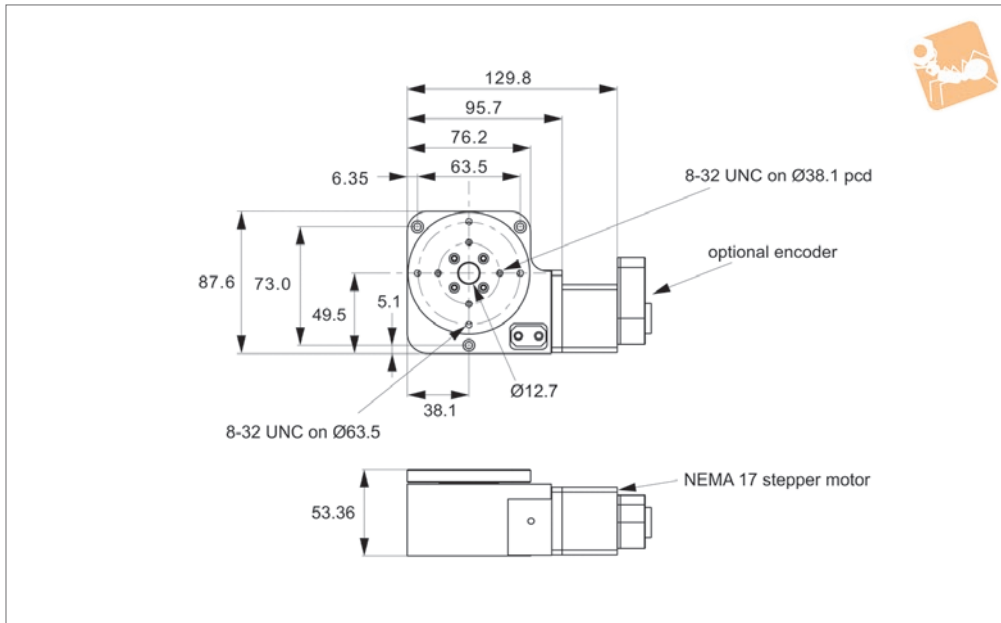
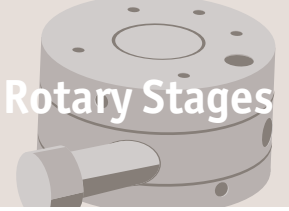




Motorised Rotary Stages Ø75

high precision, heavy duty

Rotary Stages



L3554

ROTARY STAGES

Material

Aluminium alloy body (light, stiff and stable), black anodised.
Weight 1,4 Kg.

Technical Notes

The design utilises a single preloaded crossed roller bearing system for the table movement. This eliminates the use of dual bearing configuration, thus improving axial runout and wobble.
The stages are offered with different gear ratio options. A proprietary preload system ensures zero backlash in the gear train.
The travel is 360° continuous.
Easy to use plug and play system when used with a motion controller. Can be used

in conjunction with motorised linear stages for multi axis applications.
Servo motor stages are only compatible with servo motion controllers. These allow for greater speeds but are more expensive.

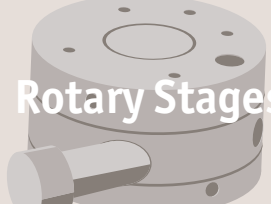
Tips

Requires external home switch (if required).
Motor options:
Stepper - Nema 23, high torque, brushless. 0.95 Amp/phase, 5.0 Ohm/phase, 3.1 mH/phase, 1.8°/step. Optionally with home switch and/or 1000 line rotary encoder.
Servo - Nema 23 with 1000 line rotary encoder.
Intelligent stepper - Nema 23 with a fully

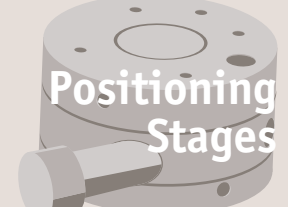
programmable motion controller inbuilt (i.e. no need for an external motion controller). Two +5 to +24VDC I/O lines. One 10 bit analogue input selectable 0 to +10VDC, 0 to +5VDC. Optionally with home switch and/or 512 line rotary encoder. RS422/485 communications. Input voltage +24VDC. Drawings show stepper motor configuration. See special pages for further motor options. Resolution up to 0,29 arcsecs, depending on gear ratio and motor.

Order No.	Motor	Speed °/s max.	Horizontal load kg max.	Vertical load kg max.	Moment load Nm max.	Weight kg
L3554.075-STA	Stepper	30°	20.4	20.4	16.9	1.36
L3554.075-SVA	Servo, home, enc.	180°	20.4	20.4	16.9	1.36
L3554.075-IMA	Int. stepper	30°	20.4	20.4	16.9	1.36
L3554.075-STB	Stepper	50°	68.0	68.0	16.9	1.36
L3554.075-STC	Stepper & home	30°	20.4	20.4	16.9	1.36
L3554.075-STE	Stepper, home, enc.	30°	20.4	20.4	16.9	1.36
L3554.075-STD	Stepper & home	50°	68.0	68.0	16.9	1.36
L3554.075-STF	Stepper, home, enc.	50°	68.0	68.0	16.9	1.36
L3554.075-SVB	Servo, home, enc.	360°	68.0	68.0	16.9	1.36
L3554.075-IMB	Int. stepper	50°	68.0	68.0	16.9	1.36
L3554.075-IMC	Int. stepper & home	30°	20.4	20.4	16.9	1.36
L3554.075-IMD	Int. stepper & home	50°	68.0	68.0	16.9	1.36
L3554.075-IME	Int. stepper, home, enc.	30°	20.4	20.4	16.9	1.36
L3554.075-IMF	Int. stepper, home, enc.	50°	68.0	68.0	16.9	1.36

Order No.	Uni-directional repeatability ± arc-secs	Bi-directional repeatability ± arc-secs	Accuracy ± arc-secs	Gear ratio	Resolution ± arc-secs
L3554.075-STA	5"	45"	70"	90:1	0.3



Order No.	Uni-directional repeatability ± arc-secs	Bi-directional repeatability ± arc-secs	Accuracy ± arc-secs	Gear ratio	Resolution ± arc-secs
L3554.075-SVA	5"	45"	70"	90:1	3.6
L3554.075-IMA	5"	45"	70"	90:1	0.3
L3554.075-STB	5"	45"	70"	45:1	0.6
L3554.075-STC	5"	45"	70"	90:1	0.3
L3554.075-STE	5"	45"	70"	90:1	0.3
L3554.075-STD	5"	45"	70"	45:1	0.6
L3554.075-STF	5"	45"	70"	45:1	0.6
L3554.075-SVB	5"	45"	70"	45:1	7.2
L3554.075-IMB	5"	45"	70"	45:1	0.6
L3554.075-IMC	5"	45"	70"	90:1	0.3
L3554.075-IMD	5"	45"	70"	45:1	0.6
L3554.075-IME	5"	45"	70"	90:1	0.3
L3554.075-IMF	5"	45"	70"	45:1	0.6



Factors affecting stage selection

- Size and weight of load (including any moment loads)
- Accuracy (positioning, repeatability and resolution)
- Speed of rotation required
- Means of control

Parameters	High precision
Table diameters (mm)	50-200
Maximum loads (Kg) Horizontal Vertical	125 125
Maximum speed °/sec Stepper motor Servo motor	25-50 180-360
Accuracy (arc-secs) Positioning Repeatability Resolution	70" 5" <0,7"
Control options	Stepper, servo or intelligent motor Motion controllers available

*Dependent on stage selected

Factors affecting stage performance

Run-out

The displacement of a measure sensor placed on the surface of the rotary table.

Applied loads

These cause small deformations in the stage bearings and are dependent on the stiffness of the stage, the bearings and the stability and flatness of the mounting surface.

Hysteresis errors

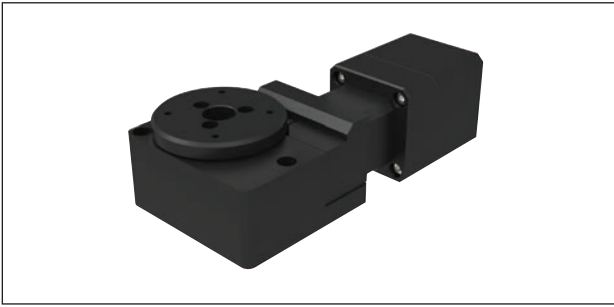
The difference between the control and instructed position.

Backlash errors

Errors caused by the reversal of the direction of travel affected by clearance in the drive chain.

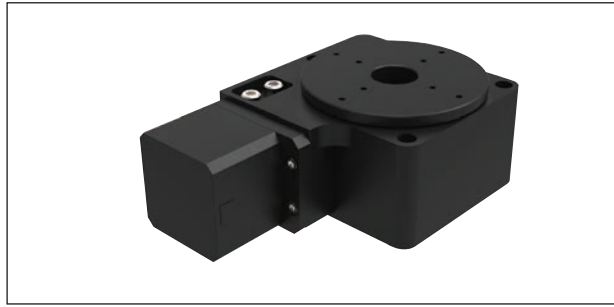
Encoder errors

Imperfections in the operations of the encoder (if present).



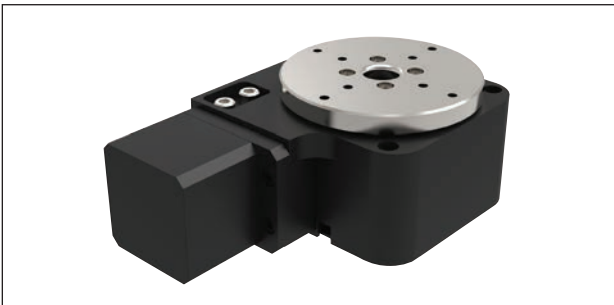
L3550 Ø50 Rotary stage

- Motorised.
- Accurate to 70 arc-secs, repeatedly to 3 arc/sec.
- Loads up to 4.5kg.



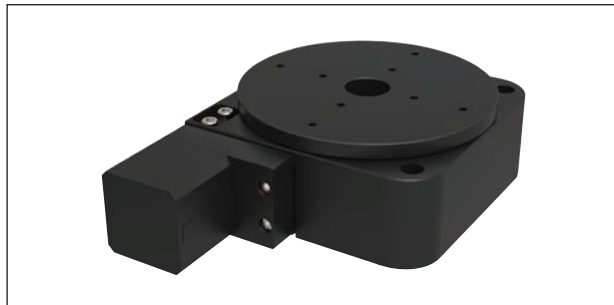
L3552 Ø75 Rotary stage

- Motorised.
- Accurate to 70 arc-secs, repeatedly to 5 arc-secs.
- Loads up to 11kg.



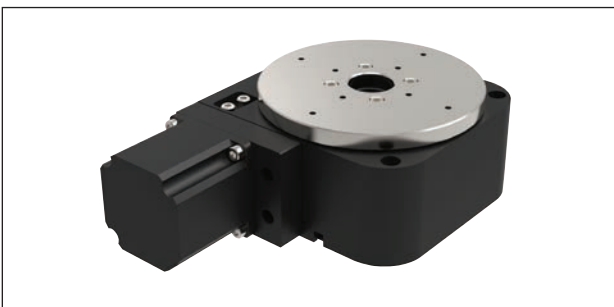
L3554 Ø75 Rotary stage, heavy duty

- Heavy duty.
- Motorised.
- Accurate to 70 arc-secs, repeatedly to 3 arc-secs.
- Loads up to 20kg.



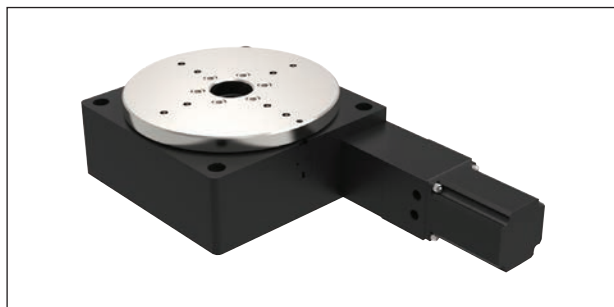
L3556 Ø125 Rotary stage, medium duty

- Motorised.
- Accurate to 70 arc-secs, repeatedly to 5 arc-secs.
- Loads up to 25kg.



L3558 Ø125 Rotary stage, heavy duty

- Heavy duty.
- Motorised.
- Accurate to 70 arc-secs, repeatedly to 3 arc-secs.
- Loads up to 45kg.



L3662 Ø200 Rotary stage

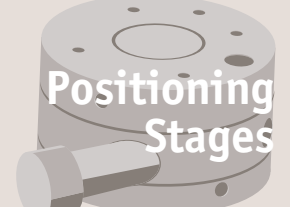
- Motorised.
- Accurate to 70 arc-secs, repeatedly to 5 arc-secs.
- Loads up to 125kg.



Rotary Stages

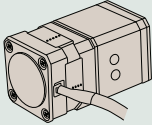
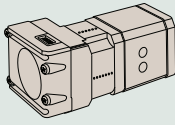
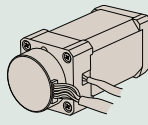
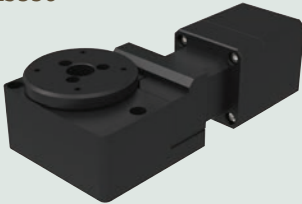

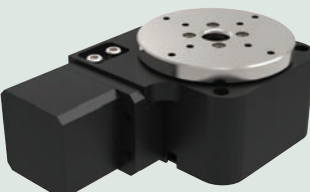
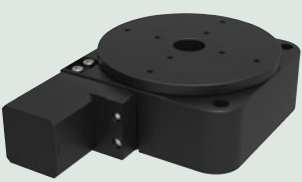
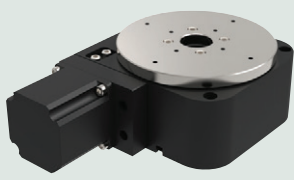
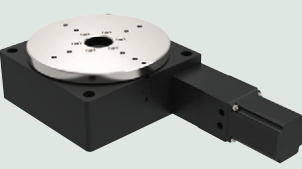
Motor options

Positioning Stages



ROTARY STAGES

Positioning Stages from Automotion Components

Part no.	Stepper 	MDrive 	Servo 
L3550 	✓	✓	✗
L3552 	✓	✓	✗
L3554 	✓	✓	✓
L3556 	✓	✓	✗
L3558 	✓	✓	✗
L3562 	✓	✓	✓