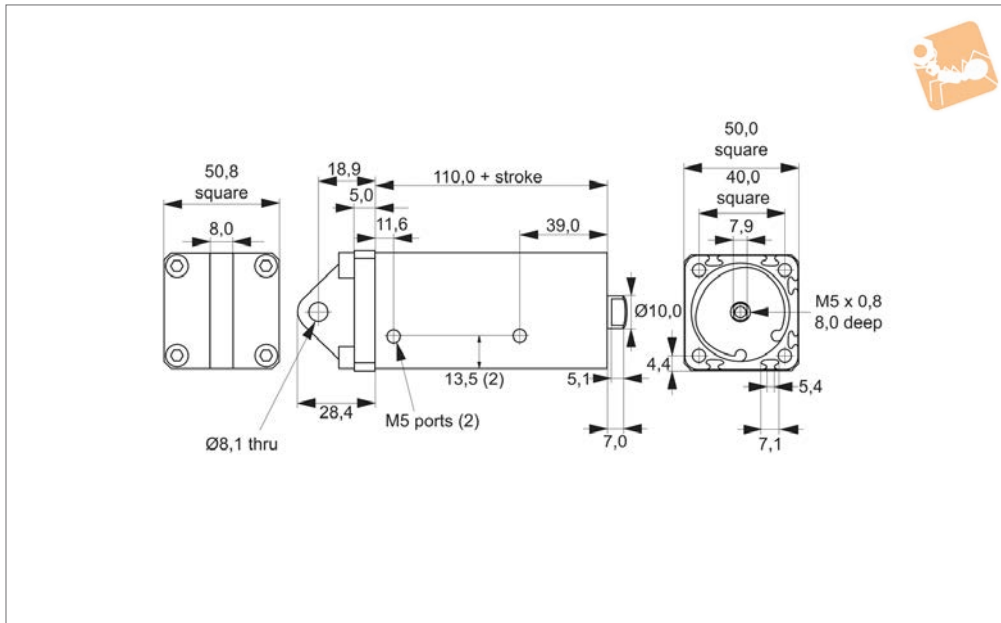




Anti-Stiction Air Cylinder - 32mm rear pivot mount

Cylinders



L4556

CYLINDERS

Material

Carbon/graphite piston. Stainless steel rod (AISI 303). Stainless steel outer tube (AISI 304). Nickel plated aluminium cylinder heads and piston/rod coupling. Graphite filled bronze pivot bushing.

Technical Notes

Ultra low friction.
Corrosion resistant, no need for lubrication.

Operating temp range: -55°C to +150°C.
For applications operating below -20°C please add -ET to part number. NOT suitable for vacuum actuation.
Piston area = 830mm².
Force output at max pressure on rear side = 581N.
Force output at max pressure on rod side = 526N.
Piston friction as % of load (without side

load) = 1% - 2%.
Min pressure differential required for actuation = $\lt; 0.0035 \text{ MPa}$. Force factor rear side = 830N. Force factor rod side = 751N. (factor x pressure (MPa) = force output (N)).
*max leak measured at pressure of 0.34 MPa./symbol

Order No.	Bore dia.	Stroke	Length	Pressure MPa max.	Leak rate by piston max. SL/min	Leak rate by rod max. SL/min	Weight g
L4556.012	32.5	12.5	122.5	0.7	2.2	2.0	661.75
L4556.025	32.5	25.0	135	0.7	2.2	2.0	707.50
L4556.050	32.5	50.0	160	0.7	2.2	2.0	799.00
L4556.075	32.5	75.0	185	0.7	2.2	2.0	890.50
L4556.100	32.5	100.0	210	0.7	2.2	2.0	982.00