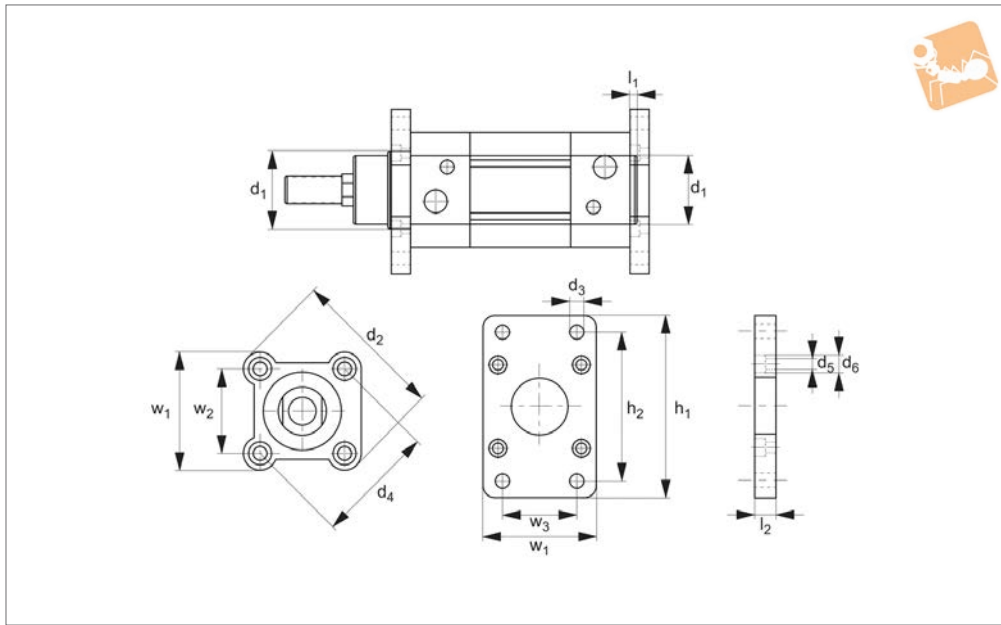




# Air Cylinder Mounts - ISO Series

## mounting flange

Cylinders



**L4804**

CYLINDERS

### Material

Steel (DIN 1040).

### Technical Notes

ISO series

Order No.	Cylinder dia.	d <sub>1</sub>	d <sub>2</sub>	d <sub>3</sub>	d <sub>4</sub>	d <sub>5</sub>	d <sub>6</sub>	l <sub>1</sub>	l <sub>2</sub>	w <sub>1</sub>	w <sub>2</sub>	w <sub>3</sub>	h <sub>1</sub>	h <sub>2</sub>
L4804.032	32	30	59.0	7	46.0	7	11	4	10	46	32.5	32	77	64
L4804.040	40	35	70.2	9	53.7	7	11	4	10	54	38.0	36	90	72
L4804.050	50	40	84.2	9	65.7	9	15	4	12	65	46.5	45	110	90
L4804.063	63	45	99.5	9	80.0	9	15	4	12	80	56.5	50	120	100
L4804.080	80	45	123.8	12	101.8	11	18	5	16	94	72.0	63	150	126
L4804.100	100	55	148.8	14	125.9	11	18	6	16	112	89.0	75	175	150
L4804.125	125	60	179.5	16	155.5	13	20	7	20	140	110.0	90	220	180
L4804.160	160	65	252.0	18	198.0	17	26	8	20	186	140.0	115	280	230