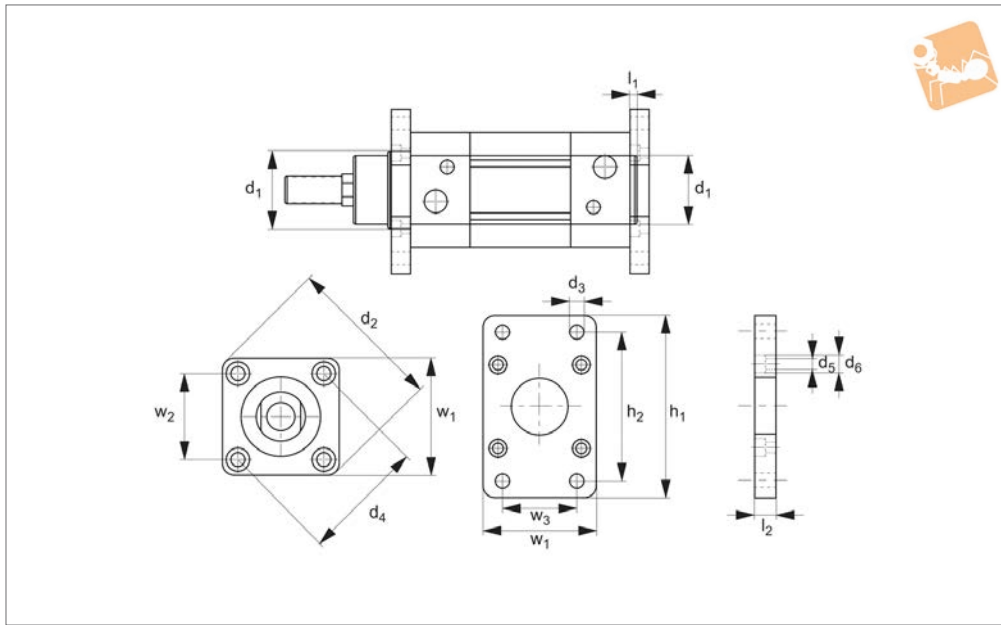




# Air Cylinder Mounts - CETOP Series

mounting flange

Cylinders



**L4814**

CYLINDERS

**Material**

Steel (DIN 1040).

**Technical Notes**

CETOP Series

Order No.	Cylinder dia.	d <sub>1</sub>	d <sub>2</sub>	d <sub>3</sub>	d <sub>4</sub>	d <sub>5</sub>	d <sub>6</sub>	l <sub>1</sub>	l <sub>2</sub>	w <sub>1</sub>	w <sub>2</sub>	w <sub>3</sub>	h <sub>1</sub>	h <sub>2</sub>
L4814.032	32	30	58	7	46	6	11	4	10	46	32.5	32	77	64
L4814.040	40	35	71	9	56	6	11	5	10	54	39.6	36	90	72
L4814.050	50	40	85	9	68	7	15	5	12	65	48.0	45	110	90
L4814.063	63	42	105	9	84	7	15	6	15	80	59.4	50	125	100
L4814.080	80	48	125	12	100	9	18	6	18	94	70.7	63	154	126
L4814.100	100	56	166	14	132	9	18	7	18	125	93.4	75	186	150
L4814.125	125	63	190	16	150	13	20	10	25	140	106.0	90	220	180
L4814.160	160	80	252	18	190	15	26	10	25	186	134.4	115	280	230