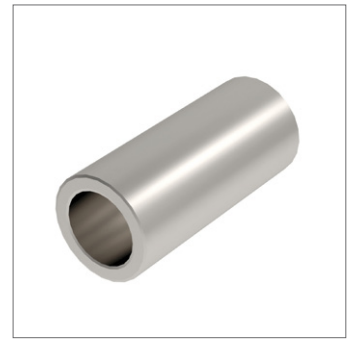
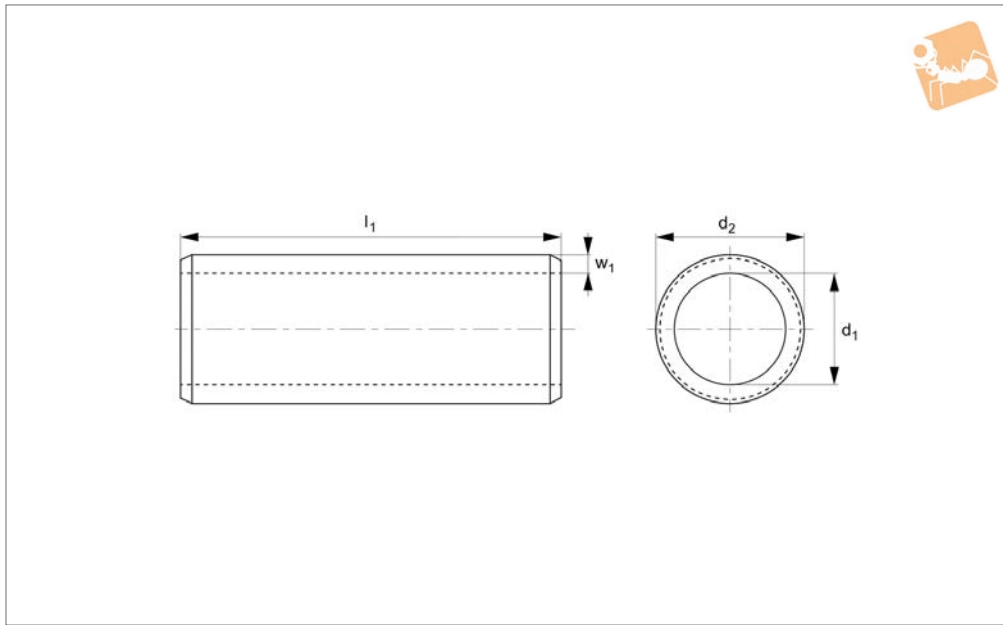
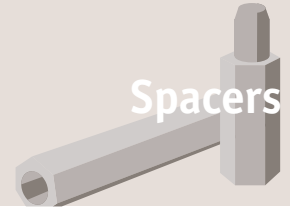




Stainless Clearance Spacers

A2 stainless

Spacers



P0065.A2

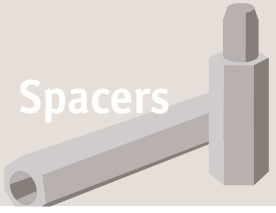
SPACERS

Material

Stainless steel (A2, AISI 303).

Order No.	For thread	l_1	d_1	d_2	w
P0065.030-002-A2	M3	2	3.4	5.0	0.8
P0065.030-003-A2	M3	3	3.4	5.0	0.8
P0065.030-004-A2	M3	4	3.4	5.0	0.8
P0065.030-005-A2	M3	5	3.4	5.0	0.8
P0065.030-006-A2	M3	6	3.4	5.0	0.8
P0065.030-008-A2	M3	8	3.4	5.0	0.8
P0065.030-010-A2	M3	10	3.4	5.0	0.8
P0065.030-012-A2	M3	12	3.4	5.0	0.8
P0065.030-015-A2	M3	15	3.4	5.0	0.8
P0065.030-020-A2	M3	20	3.4	5.0	0.8
P0065.030-025-A2	M3	25	3.4	5.0	0.8
P0065.030-030-A2	M3	30	3.4	5.0	0.8
P0065.040-002-A2	M4	2	4.5	6.0	0.75
P0065.040-003-A2	M4	3	4.5	6.0	0.75
P0065.040-004-A2	M4	4	4.5	6.0	0.75
P0065.040-005-A2	M4	5	4.5	6.0	0.75
P0065.040-006-A2	M4	6	4.5	6.0	0.75
P0065.040-008-A2	M4	8	4.5	6.0	0.75
P0065.040-010-A2	M4	10	4.5	6.0	0.75
P0065.040-015-A2	M4	15	4.5	6.0	0.75
P0065.040-020-A2	M4	20	4.5	6.0	0.75
P0065.040-025-A2	M4	25	4.5	6.0	0.75
P0065.040-030-A2	M4	30	4.5	6.0	0.75
P0065.050-004-A2	M5	4	6.0	8.0	1.0
P0065.050-005-A2	M5	5	6.0	8.0	1.0
P0065.050-010-A2	M5	10	6.0	8.0	1.0
P0065.050-015-A2	M5	15	6.0	8.0	1.0
P0065.050-020-A2	M5	20	6.0	8.0	1.0
P0065.060-002-A2	M6	2	6.4	10.0	1.8
P0065.060-005-A2	M6	5	6.4	10.0	1.8
P0065.060-006-A2	M6	6	6.4	10.0	1.8
P0065.060-010-A2	M6	10	6.4	10.0	1.8
P0065.060-015-A2	M6	15	6.4	10.0	1.8
P0065.060-020-A2	M6	20	6.4	10.0	1.8
P0065.060-025-A2	M6	25	6.4	10.0	1.8

Spacers



Stainless Clearance Spacers

A2 stainless



Order No.	For thread	l_1	d_1	d_2	w
P0065.060-030-A2	M6	30	6.4	10.0	1.8

SPACERS