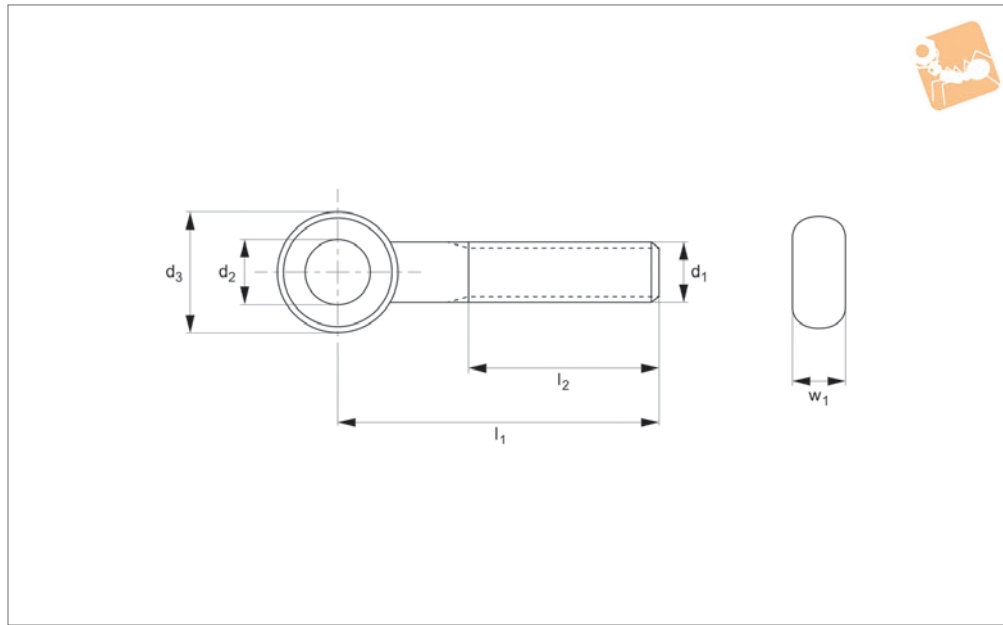




# Swing Bolts

A2 stainless

# Lifting Pins, Lifting Bolts &



**P0070.A2**

LIFTING PINS, LIFTING BOLTS & SWING BOLTS

### Material

Stainless steel (A2, AISI 303).

### Technical Notes

To DIN 444 B.

Order No.	d <sub>1</sub> tol. H9	l <sub>1</sub>	d <sub>2</sub> tol. H7	d <sub>3</sub>	l <sub>2</sub>	w <sub>1</sub> max.
P0070.060-040-A2	M6	40	6	14	18	7
P0070.060-050-A2	M6	50	6	14	18	7
P0070.060-060-A2	M6	60	6	14	18	7
P0070.080-030-A2	M8	30	8	18	22	9
P0070.080-040-A2	M8	40	8	18	22	9
P0070.080-050-A2	M8	50	8	18	22	9
P0070.080-060-A2	M8	60	8	18	22	9
P0070.080-070-A2	M8	70	8	18	22	9
P0070.080-075-A2	M8	75	8	18	22	9
P0070.080-080-A2	M8	80	8	18	22	9
P0070.080-090-A2	M8	90	8	18	22	9
P0070.080-100-A2	M8	100	8	18	22	9
P0070.100-040-A2	M10	40	10	20	26	12
P0070.100-050-A2	M10	50	10	20	26	12
P0070.100-060-A2	M10	60	10	20	26	12
P0070.100-070-A2	M10	70	10	20	26	12
P0070.100-080-A2	M10	80	10	20	26	12
P0070.100-090-A2	M10	90	10	20	26	12
P0070.100-100-A2	M10	100	10	20	26	12
P0070.100-120-A2	M10	120	10	20	26	12
P0070.120-040-A2	M12	40	12	25	30	14
P0070.120-050-A2	M12	50	12	25	30	14
P0070.120-060-A2	M12	60	12	25	30	14
P0070.120-070-A2	M12	70	12	25	30	14
P0070.120-080-A2	M12	80	12	25	30	14
P0070.120-100-A2	M12	100	12	25	30	14
P0070.120-120-A2	M12	120	12	25	30	14
P0070.120-130-A2	M12	130	12	25	30	14
P0070.120-140-A2	M12	140	12	25	30	14
P0070.120-150-A2	M12	150	12	25	30	14
P0070.160-060-A2	M16	60	16	32	38	17
P0070.160-070-A2	M16	70	16	32	38	17
P0070.160-080-A2	M16	80	16	32	38	17
P0070.160-090-A2	M16	90	16	32	38	17



Order No.	d <sub>1</sub> tol. H9	l <sub>1</sub>	d <sub>2</sub> tol. H7	d <sub>3</sub>	l <sub>2</sub>	w <sub>1</sub> max.
P0070.160-100-A2	M16	100	16	32	38	17
P0070.160-110-A2	M16	110	16	32	38	17
P0070.160-120-A2	M16	120	16	32	38	17
P0070.160-130-A2	M16	130	16	32	38	17
P0070.160-140-A2	M16	140	16	32	38	17
P0070.160-150-A2	M16	150	16	32	38	17
P0070.200-075-A2	M20	75	18	40	46	22
P0070.200-080-A2	M20	80	18	40	46	22
P0070.200-090-A2	M20	90	18	40	46	22
P0070.200-100-A2	M20	100	18	40	46	22
P0070.200-110-A2	M20	110	18	40	46	22
P0070.200-120-A2	M20	120	18	40	46	22
P0070.200-130-A2	M20	130	18	40	46	22
P0070.200-140-A2	M20	140	18	40	46	22
P0070.200-150-A2	M20	150	18	40	46	22
P0070.200-160-A2	M20	160	18	40	46	22
P0070.240-080-A2	M24	80	22	45	54	25
P0070.240-090-A2	M24	90	22	45	54	25
P0070.240-100-A2	M24	100	22	45	54	25
P0070.240-110-A2	M24	110	22	45	54	25
P0070.240-120-A2	M24	120	22	45	54	25
P0070.240-130-A2	M24	130	22	45	54	25
P0070.240-140-A2	M24	140	22	45	54	25
P0070.240-150-A2	M24	150	22	45	54	25
P0070.240-160-A2	M24	160	22	45	54	25