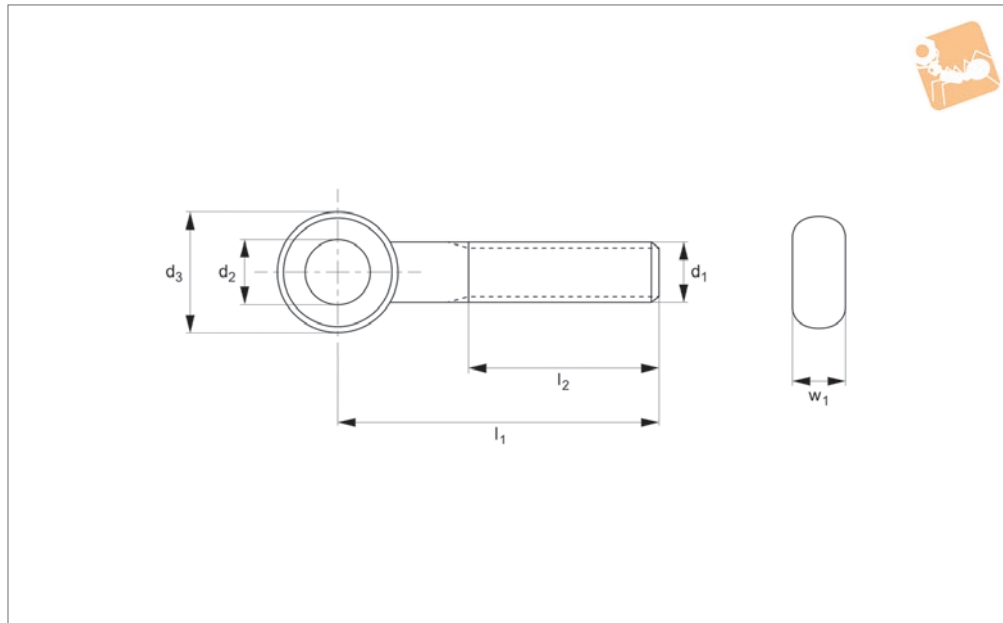




Swing Bolts

Steel - zinc-plated

Lifting Pins, Lifting Bolts &



P0070.ZP

LIFTING PINS, LIFTING BOLTS & SWING BOLTS

Material

Steel, zinc-plated (class 4.6).

Technical Notes

To DIN 444 B.

Order No.	d ₁	l ₁	d ₂ tol. H7	d ₃	l ₂	w ₁ max.
P0070.060-030-ZP	M6	30	6	14	18	7
P0070.060-040-ZP	M6	40	6	14	18	7
P0070.060-050-ZP	M6	50	6	14	18	7
P0070.080-040-ZP	M8	40	8	18	22	9
P0070.080-050-ZP	M8	50	8	18	22	9
P0070.080-060-ZP	M8	60	8	18	22	9
P0070.080-080-ZP	M8	80	8	18	22	9
P0070.100-040-ZP	M10	40	10	20	26	12
P0070.100-050-ZP	M10	50	10	20	26	12
P0070.100-060-ZP	M10	60	10	20	26	12
P0070.100-070-ZP	M10	70	10	20	26	12
P0070.100-080-ZP	M10	80	10	20	26	12
P0070.100-090-ZP	M10	90	10	20	26	12
P0070.100-100-ZP	M10	100	10	20	26	12
P0070.100-120-ZP	M10	120	10	20	26	12
P0070.120-060-ZP	M12	60	12	25	30	14
P0070.120-070-ZP	M12	70	12	25	30	14
P0070.120-080-ZP	M12	80	12	25	30	14
P0070.120-090-ZP	M12	90	12	25	30	14
P0070.120-100-ZP	M12	100	12	25	30	14
P0070.120-120-ZP	M12	120	12	25	30	14
P0070.120-140-ZP	M12	140	12	25	30	14
P0070.160-070-ZP	M16	70	16	32	38	17
P0070.160-080-ZP	M16	80	16	32	38	17
P0070.160-090-ZP	M16	90	16	32	38	17
P0070.160-100-ZP	M16	100	16	32	38	17
P0070.160-120-ZP	M16	120	16	32	38	17
P0070.160-140-ZP	M16	140	16	32	38	17
P0070.160-160-ZP	M16	160	16	32	38	17
P0070.160-180-ZP	M16	180	16	32	38	17
P0070.160-200-ZP	M16	200	16	32	38	17
P0070.200-100-ZP	M20	100	18	40	46	22
P0070.200-120-ZP	M20	120	18	40	46	22
P0070.200-140-ZP	M20	140	18	40	46	22



Order No.	d ₁	l ₁	d ₂ tol. H7	d ₃	l ₂	w ₁ max.
P0070.200-160-ZP	M20	160	18	40	46	22
P0070.200-180-ZP	M20	180	18	40	46	22
P0070.200-200-ZP	M20	200	18	40	46	22