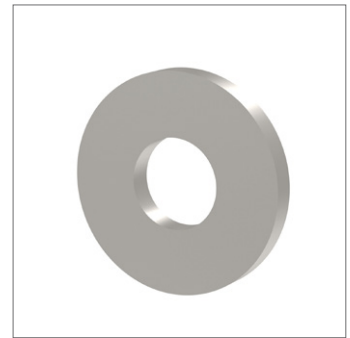
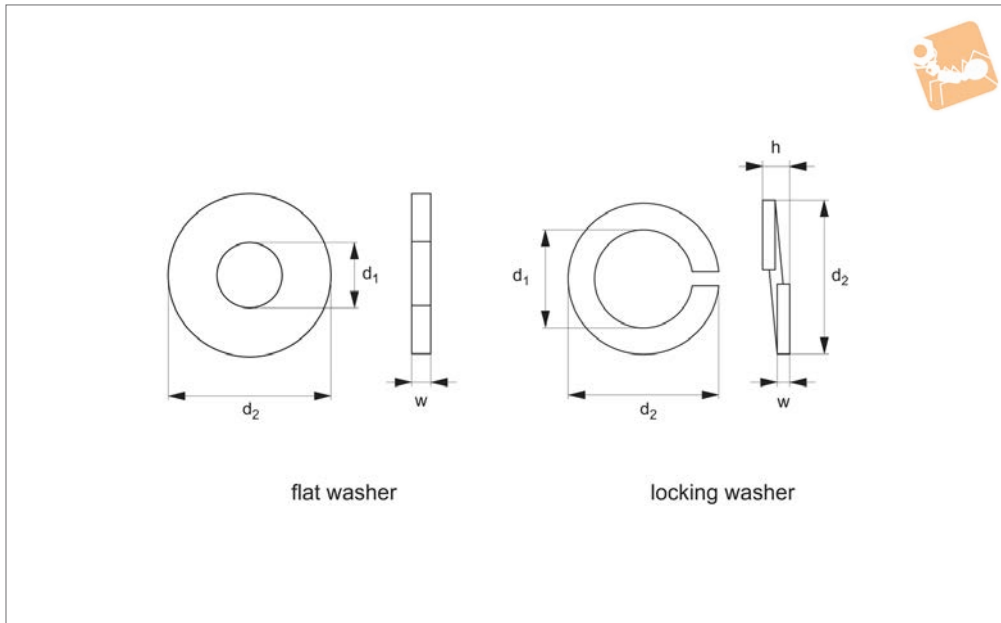




Titanium Washers

flat & spring lock



P0109

TITANIUM SCREWS

Material

Titanium (ASTM 348 grade 2, pure titanium).
Tensile strength 345-450 N/mm², yield strength 270 N/mm², hardness 160HB/30. Grade 5 titanium available on request.

Technical Notes

Flat washers to DIN 9021, locking washers

to DIN 127.

Titanium has a high strength/weight ratio. The specific gravity of titanium is approximately 60% that of stainless steel. For use in lightweight applications in the automobile, aerospace, medical and robotic industries. Highly resistant to corrosion (including

from salt water) and chemical environments. Non magnetic. Part no.s ending with F are flat washers. Part no.s ending with L are lock washers.

Tips

Please see Technical page for full grade 2 titanium properties.

Order No.	For thread	d ₁	d ₂ max.	h max.	w	Type
P0109.030-F-G2	M 3	-	-	-	-	Flat
P0109.040-F-G2	M 4	4.3	12	-	1.0	Flat
P0109.040-L-G2	M 4	4.3	8	2.5	0.9	Lock
P0109.050-F-G2	M 5	5.3	15	-	1.6	Flat
P0109.050-L-G2	M 5	5.3	10	3.2	1.2	Lock
P0109.060-F-G2	M 6	6.4	18	-	1.6	Flat
P0109.060-L-G2	M 6	6.4	12	4.2	1.6	Lock
P0109.080-F-G2	M 8	8.4	25	-	2.0	Flat
P0109.080-L-G2	M 8	8.4	16	5.4	2.0	Lock
P0109.100-F-G2	M10	10.5	30	-	2.5	Flat
P0109.120-F-G2	M12	-	-	-	-	Flat
P0109.160-F-G2	M16	-	-	-	-	Flat
P0109.200-F-G2	M20	-	-	-	-	Flat
P0109.240-F-G2	M24	-	-	-	-	Flat
P0109.100-L-G2	M10	10.5	20	5.9	2.2	Lock