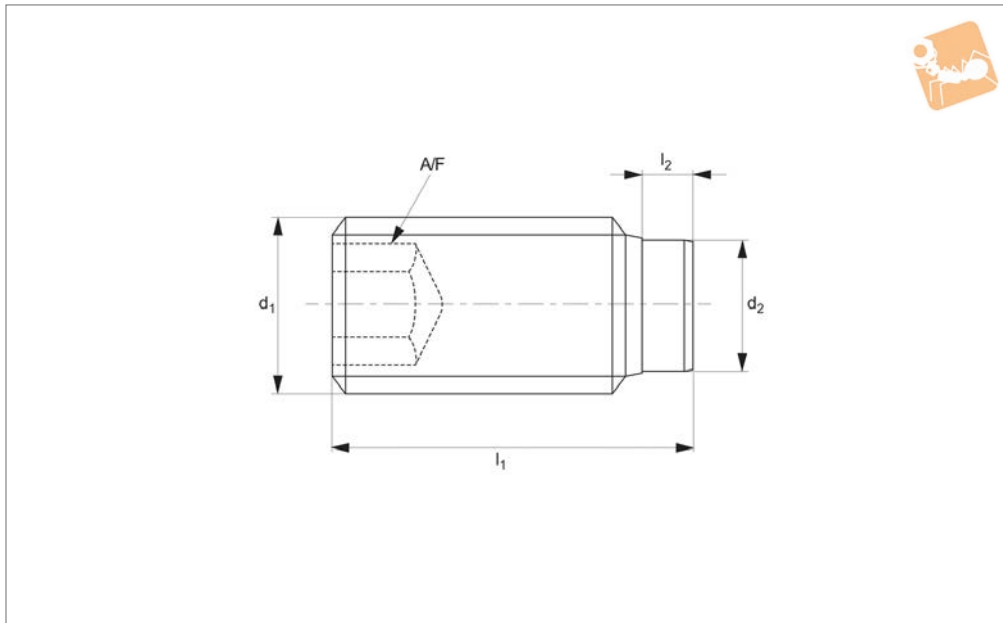




# Thrust Screws - Brass Pad stainless steel

## Tipped Screws



**P0120**

TIPPED SCREWS

### Material

Screw: stainless steel 1.4305 (AISI 303).  
Pad: brass.

### Technical Notes

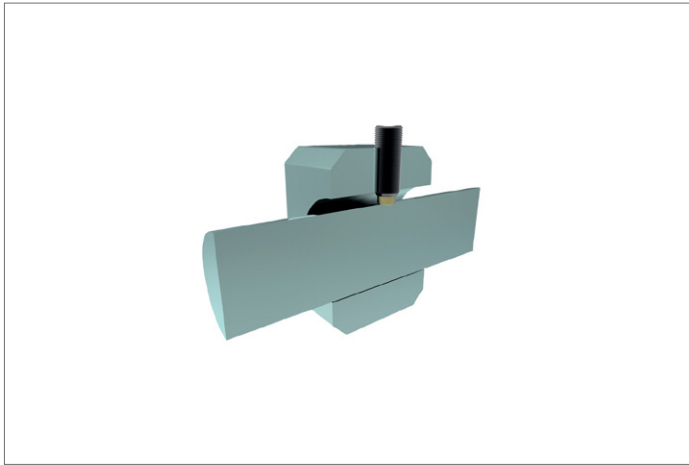
Brass pad pressed in. These thrust screws can be used for gentle clamping or pres-

sing of threaded spindles, axles, shafts or surface treated parts.

| Order No.     | Material  | Type      | d <sub>1</sub> | l <sub>1</sub> | l <sub>2</sub> | d <sub>2</sub> | A/F | Weight g |
|---------------|-----------|-----------|----------------|----------------|----------------|----------------|-----|----------|
| P0120.030-004 | Stainless | Brass Pad | M 3            | 5.0            | 1.0            | 1.5            | 1.5 | 0.2      |
| P0120.030-006 | Stainless | Brass Pad | M 3            | 7.5            | 1.0            | 1.5            | 1.5 | 0.3      |
| P0120.040-006 | Stainless | Brass Pad | M 4            | 6.5            | 1.2            | 2.5            | 2.0 | 0.3      |
| P0120.040-010 | Stainless | Brass Pad | M 4            | 10.5           | 1.2            | 2.5            | 2.0 | 0.8      |
| P0120.040-016 | Stainless | Brass Pad | M 4            | 16.5           | 1.2            | 2.5            | 2.0 | 1.2      |
| P0120.050-008 | Stainless | Brass Pad | M 5            | 8.5            | 1.3            | 3.0            | 2.5 | 0.9      |
| P0120.050-012 | Stainless | Brass Pad | M 5            | 12.5           | 1.3            | 3.0            | 2.5 | 1.4      |
| P0120.050-020 | Stainless | Brass Pad | M 5            | 20.5           | 1.3            | 3.0            | 2.5 | 2.1      |
| P0120.060-012 | Stainless | Brass Pad | M 6            | 11.5           | 1.9            | 4.0            | 3.0 | 1.7      |
| P0120.060-018 | Stainless | Brass Pad | M 6            | 17.5           | 1.9            | 4.0            | 3.0 | 2.7      |
| P0120.060-026 | Stainless | Brass Pad | M 6            | 26.5           | 1.9            | 4.0            | 3.0 | 4.2      |
| P0120.080-012 | Stainless | Brass Pad | M 8            | 12.0           | 2.5            | 5.5            | 4.0 | 3.0      |
| P0120.080-022 | Stainless | Brass Pad | M 8            | 22.0           | 2.5            | 5.5            | 4.0 | 5.8      |
| P0120.080-032 | Stainless | Brass Pad | M 8            | 32.0           | 2.5            | 5.5            | 4.0 | 8.9      |
| P0120.100-014 | Stainless | Brass Pad | M10            | 14.0           | 2.7            | 7.0            | 5.0 | 5.6      |
| P0120.100-018 | Stainless | Brass Pad | M10            | 18.0           | 2.7            | 7.0            | 5.0 | 6.7      |
| P0120.100-027 | Stainless | Brass Pad | M10            | 27.0           | 2.7            | 7.0            | 5.0 | 11.0     |
| P0120.100-037 | Stainless | Brass Pad | M10            | 37.0           | 2.7            | 7.0            | 5.0 | 16.0     |
| P0120.120-018 | Stainless | Brass Pad | M12            | 18.5           | 3.4            | 8.5            | 6.0 | 10.0     |
| P0120.120-022 | Stainless | Brass Pad | M12            | 22.5           | 3.4            | 8.5            | 6.0 | 12.0     |
| P0120.120-032 | Stainless | Brass Pad | M12            | 32.5           | 3.4            | 8.5            | 6.0 | 20.0     |
| P0120.120-042 | Stainless | Brass Pad | M12            | 42.5           | 3.4            | 8.5            | 6.0 | 29.0     |



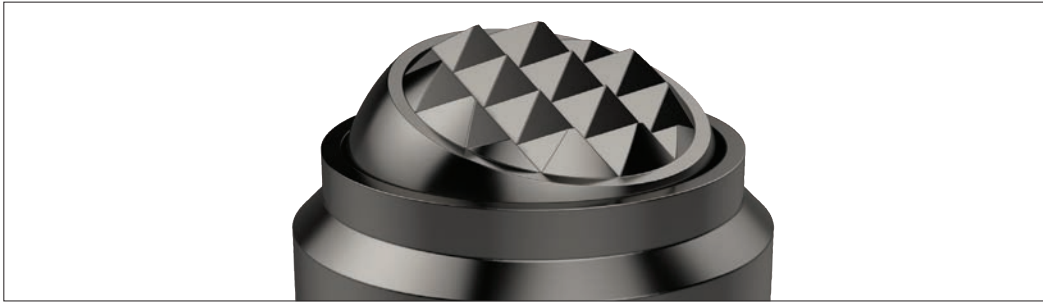
TIPPED SCREWS



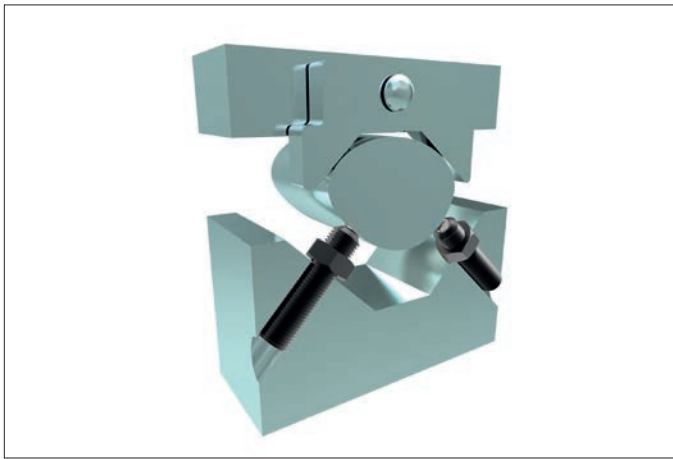


# Wixroyd Self-Aligning Pads & Thrust Screws

34000 - 34160  
Positioning Elements

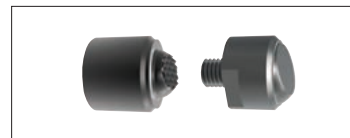
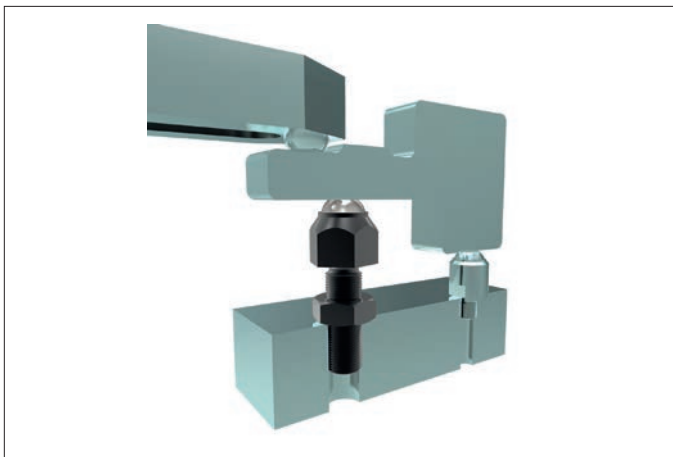


Clamping, supporting and aligning non-parallel and uneven surfaces is greatly simplified with the use of Wixroyd self-aligning pads and thrust screws. Available with ridged faces for improved holding of cast components, or plastic faces for holding more delicate parts.



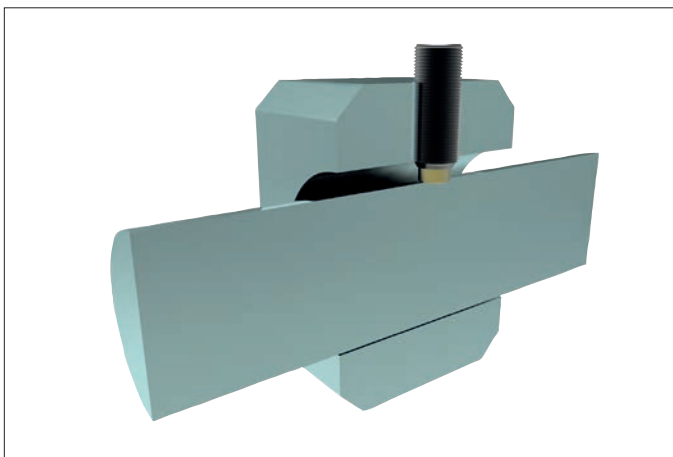
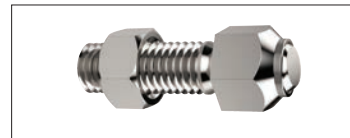
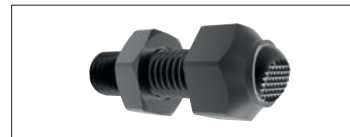
## Self-aligning Thrust Screws

**34000 to 34060** - Self-aligning thrust screws in sizes M6 to M24, ideal for clamping or supporting non-parallel surfaces.



## Self-aligning Pads

**34080 to 34121** - Self-aligning pads, both male and female mounting, ideal for accommodating variations between parts in fixtures.



## Thrust Screws

**34140 to 34160** - Thrust screws, with either brass or thermoplastic pads, are suitable for gentle clamping and positioning more delicate parts.



TIPPED SCREWS

ov-W34000-A-T-W34160.2-AP0124-T-self-aligning-pads-and-thrust-screws-a-rmh - Updated - 28-10-2022