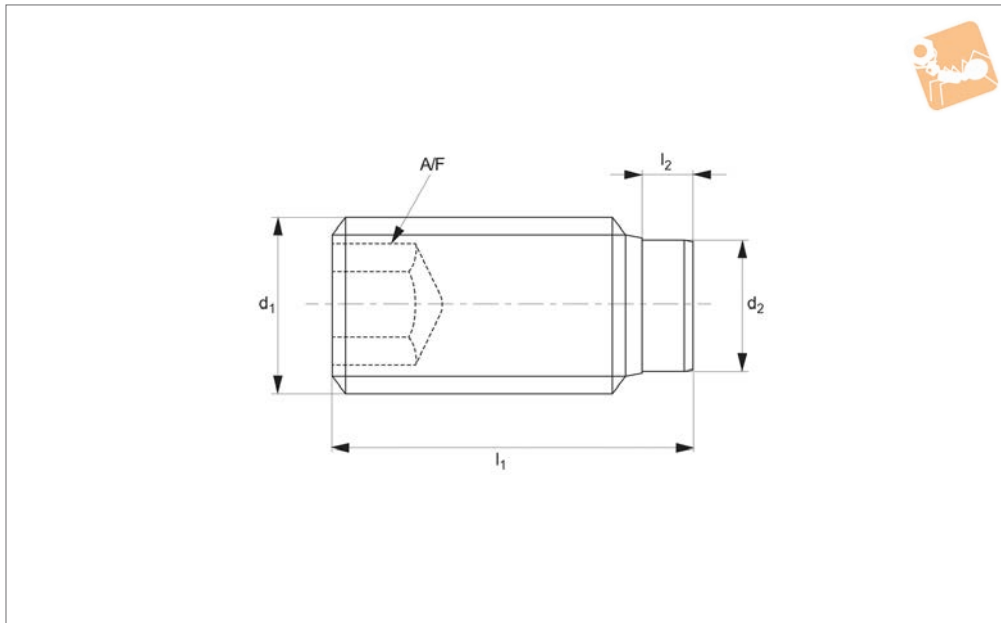




Thrust Screws - Brass Pad steel

Tipped Screws



P0121

TIPPED SCREWS

Material

Screw: heat treated steel, 1200 +/-100 N/mm².
Pad: brass.

Technical Notes

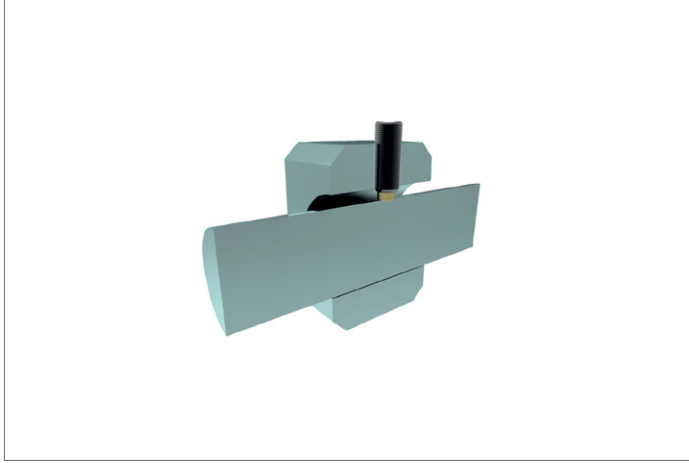
Brass pad pressed in. These thrust screws can be used for gentle clamping or pressing of threaded spindles, axles, shafts or

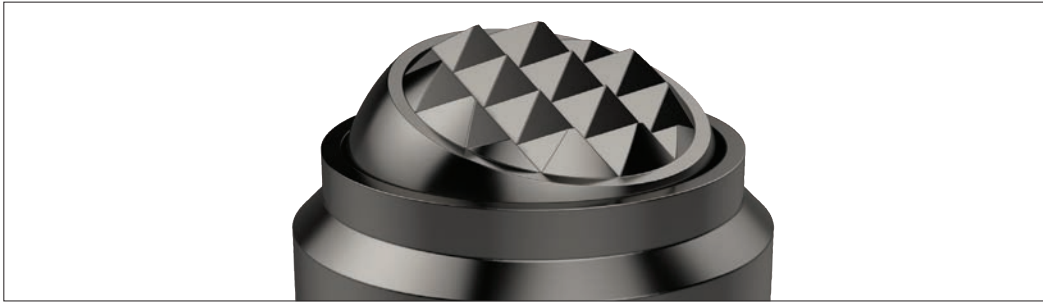
surface treated parts.

Order No.	Material	Type	d ₁	l ₁	l ₂	d ₂	A/F	Weight g
P0121.030-010	Steel	Brass Pad	M 3	10.0	1.0	1.5	1.5	0.5
P0121.040-006	Steel	Brass Pad	M 4	6.5	1.2	2.5	2.0	0.3
P0121.040-010	Steel	Brass Pad	M 4	10.5	1.2	2.5	2.0	0.8
P0121.040-016	Steel	Brass Pad	M 4	16.5	1.2	2.5	2.0	1.2
P0121.050-008	Steel	Brass Pad	M 5	8.5	1.3	3.0	2.5	0.9
P0121.050-012	Steel	Brass Pad	M 5	12.5	1.3	3.0	2.5	1.4
P0121.050-020	Steel	Brass Pad	M 5	20.5	1.3	3.0	2.5	2.1
P0121.060-012	Steel	Brass Pad	M 6	11.5	1.9	4.0	3.0	1.7
P0121.060-026	Steel	Brass Pad	M 6	26.5	1.9	4.0	3.0	4.2
P0121.080-012	Steel	Brass Pad	M 8	12.0	2.5	5.5	4.0	3.0
P0121.080-022	Steel	Brass Pad	M 8	22.0	2.5	5.5	4.0	5.8
P0121.080-032	Steel	Brass Pad	M 8	32.0	2.5	5.5	4.0	8.9
P0121.100-014	Steel	Brass Pad	M10	14.0	2.7	7.0	5.0	5.6
P0121.100-018	Steel	Brass Pad	M10	18.0	2.7	7.0	5.0	6.7
P0121.100-027	Steel	Brass Pad	M10	27.0	2.7	7.0	5.0	11.0
P0121.100-037	Steel	Brass Pad	M10	37.0	2.7	7.0	5.0	16.0
P0121.120-018	Steel	Brass Pad	M12	18.5	3.4	8.5	6.0	10.0
P0121.120-022	Steel	Brass Pad	M12	22.5	3.4	8.5	6.0	12.0
P0121.120-032	Steel	Brass Pad	M12	32.5	3.4	8.5	6.0	20.0
P0121.120-042	Steel	Brass Pad	M12	42.5	3.4	8.5	6.0	29.0



TIPPED SCREWS



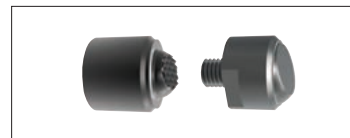
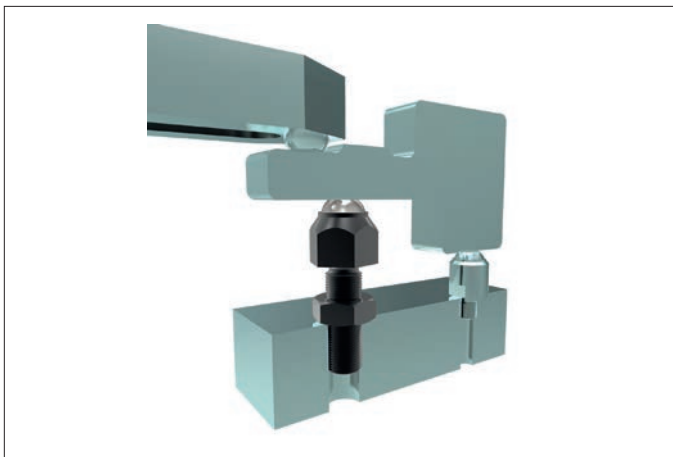


Clamping, supporting and aligning non-parallel and uneven surfaces is greatly simplified with the use of Wixroyd self-aligning pads and thrust screws. Available with ridged faces for improved holding of cast components, or plastic faces for holding more delicate parts.



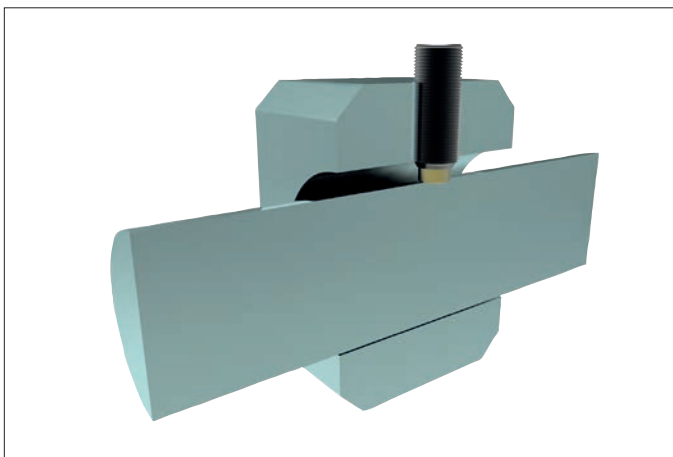
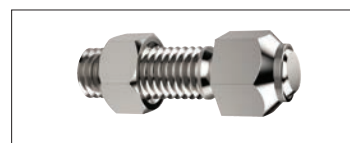
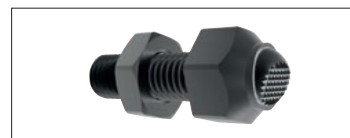
Self-aligning Thrust Screws

34000 to 34060 - Self-aligning thrust screws in sizes M6 to M24, ideal for clamping or supporting non-parallel surfaces.



Self-aligning Pads

34080 to 34121 - Self-aligning pads, both male and female mounting, ideal for accommodating variations between parts in fixtures.



Thrust Screws

34140 to 34160 - Thrust screws, with either brass or thermoplastic pads, are suitable for gentle clamping and positioning more delicate parts.

