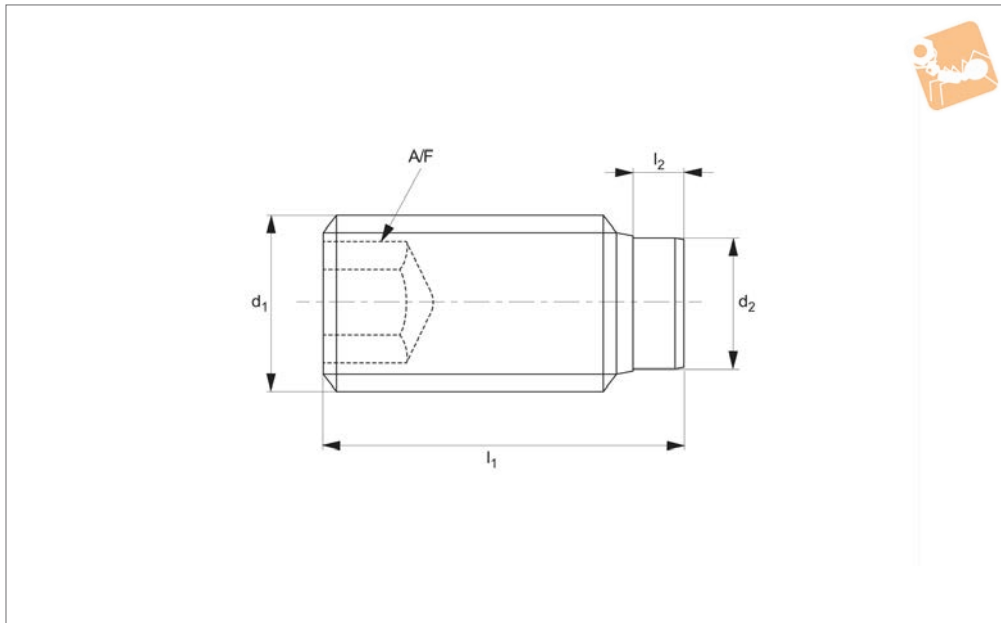




Thrust Screws - Plastic Pad

stainless steel

Tipped Screws



P0124

TIPPED SCREWS

Material

Screw: stainless steel 1.4305 (AISI 303).
Pad: thermoplastic POM, white.

Technical Notes

Thermoplastic bolt pressed in.
For gentle clamping or pressing of thread

spindles, axles, shafts and surface treated parts.

Order No.	Material	Type	d ₁	l ₁	l ₂	d ₂	A/F	Weight g
P0124.030-006	Stainless	Thermo Pad	M 3	5.8	0.8	1.5	1.5	0.3
P0124.040-007	Stainless	Thermo Pad	M 4	7.0	1.0	2.0	2.0	0.3
P0124.040-009	Stainless	Thermo Pad	M 4	9.0	1.0	2.0	2.0	0.4
P0124.040-011	Stainless	Thermo Pad	M 4	11.0	1.0	2.0	2.0	0.6
P0124.040-013	Stainless	Thermo Pad	M 4	13.0	1.0	2.0	2.0	0.7
P0124.040-017	Stainless	Thermo Pad	M 4	17.0	1.0	2.0	2.0	1.0
P0124.050-009	Stainless	Thermo Pad	M 5	9.0	1.0	3.0	2.5	0.7
P0124.050-011	Stainless	Thermo Pad	M 5	11.0	1.0	3.0	2.5	0.8
P0124.050-013	Stainless	Thermo Pad	M 5	13.0	1.0	3.0	2.5	1.0
P0124.050-017	Stainless	Thermo Pad	M 5	17.0	1.0	3.0	2.5	1.2
P0124.050-021	Stainless	Thermo Pad	M 5	21.0	1.0	3.0	2.5	2.0
P0124.060-013	Stainless	Thermo Pad	M 6	13.3	1.3	3.5	3.0	1.5
P0124.060-017	Stainless	Thermo Pad	M 6	17.3	1.3	3.5	3.0	2.2
P0124.060-021	Stainless	Thermo Pad	M 6	21.3	1.3	3.5	3.0	2.8
P0124.060-033	Stainless	Thermo Pad	M 6	33.3	1.3	3.5	3.0	4.9
P0124.080-013	Stainless	Thermo Pad	M 8	13.6	1.6	5.0	4.0	2.6
P0124.080-017	Stainless	Thermo Pad	M 8	17.6	1.6	5.0	4.0	3.6
P0124.080-021	Stainless	Thermo Pad	M 8	21.6	1.6	5.0	4.0	5.0
P0124.080-026	Stainless	Thermo Pad	M 8	26.6	1.6	5.0	4.0	6.4
P0124.080-033	Stainless	Thermo Pad	M 8	33.6	1.6	5.0	4.0	8.5
P0124.080-041	Stainless	Thermo Pad	M 8	41.6	1.6	5.0	4.0	11.0
P0124.100-018	Stainless	Thermo Pad	M10	17.9	1.9	6.5	5.0	5.2
P0124.100-022	Stainless	Thermo Pad	M10	21.9	1.9	6.5	5.0	7.1
P0124.100-027	Stainless	Thermo Pad	M10	26.9	1.9	6.5	5.0	9.9
P0124.100-034	Stainless	Thermo Pad	M10	33.9	1.9	6.5	5.0	13.0
P0124.100-042	Stainless	Thermo Pad	M10	41.9	1.9	6.5	5.0	17.0
P0124.100-052	Stainless	Thermo Pad	M10	51.9	1.9	6.5	5.0	22.0
P0124.120-022	Stainless	Thermo Pad	M12	22.1	2.1	8.0	6.0	9.0
P0124.120-027	Stainless	Thermo Pad	M12	27.1	2.1	8.0	6.0	10.0
P0124.120-034	Stainless	Thermo Pad	M12	34.1	2.1	8.0	6.0	19.0
P0124.120-042	Stainless	Thermo Pad	M12	42.1	2.1	8.0	6.0	24.0
P0124.120-052	Stainless	Thermo Pad	M12	52.1	2.1	8.0	6.0	31.0
P0124.120-065	Stainless	Thermo Pad	M12	65.1	2.1	8.0	6.0	40.0