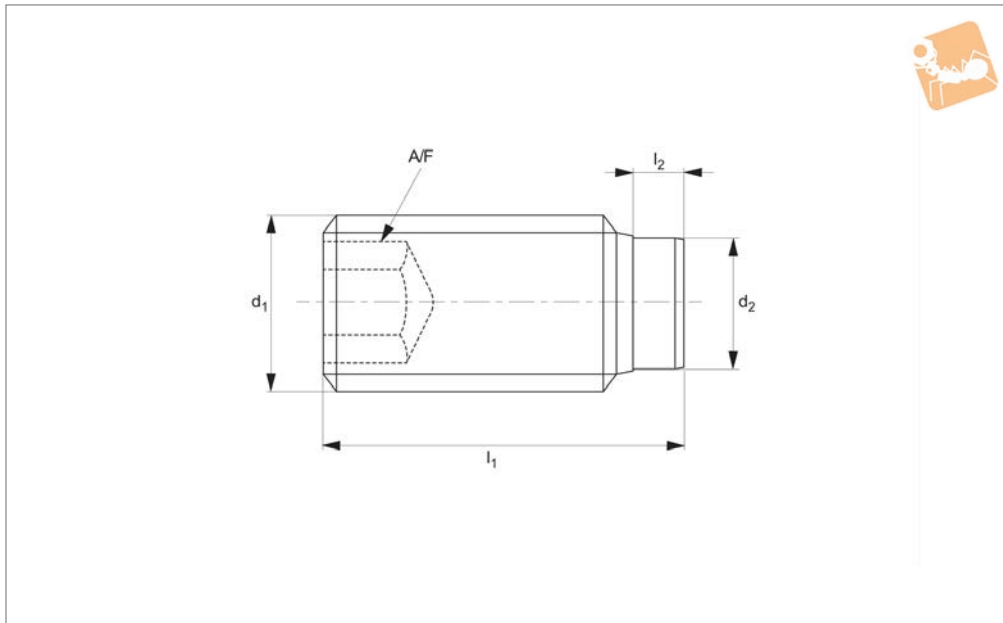




Thrust Screws - Plastic Pad

steel

Tipped Screws



P0125

TIPPED SCREWS

Material

Screw: heat treated steel, 1200 +/-100 N/mm².
Pad: thermoplastic POM, white.

Technical Notes

Thermoplastic bolt pressed in.
For gentle clamping or pressing of thread spindles, axles, shafts and surface treated

parts.

Order No.	Material	Type	d ₁	l ₁	l ₂	d ₂	A/F	Weight g
P0125.040-007	Steel	Thermo Pad	M 4	7.0	1.0	2.0	2.0	0.3
P0125.040-009	Steel	Thermo Pad	M 4	9.0	1.0	2.0	2.0	0.4
P0125.040-011	Steel	Thermo Pad	M 4	11.0	1.0	2.0	2.0	0.6
P0125.040-013	Steel	Thermo Pad	M 4	13.0	1.0	2.0	2.0	0.7
P0125.040-017	Steel	Thermo Pad	M 4	17.0	1.0	2.0	2.0	1.0
P0125.040-021	Steel	Thermo Pad	M 4	21.0	1.0	2.0	2.0	1.3
P0125.050-009	Steel	Thermo Pad	M 5	9.0	1.0	3.0	2.5	0.7
P0125.050-011	Steel	Thermo Pad	M 5	11.0	1.0	3.0	2.5	0.8
P0125.050-013	Steel	Thermo Pad	M 5	13.0	1.0	3.0	2.5	1.0
P0125.050-017	Steel	Thermo Pad	M 5	17.0	1.0	3.0	2.5	1.2
P0125.050-021	Steel	Thermo Pad	M 5	21.0	1.0	3.0	2.5	2.0
P0125.050-026	Steel	Thermo Pad	M 5	26.0	1.0	3.0	2.5	2.6
P0125.060-011	Steel	Thermo Pad	M 6	11.3	1.3	3.5	3.0	1.2
P0125.060-013	Steel	Thermo Pad	M 6	13.3	1.3	3.5	3.0	1.5
P0125.060-017	Steel	Thermo Pad	M 6	17.3	1.3	3.5	3.0	2.2
P0125.060-021	Steel	Thermo Pad	M 6	21.3	1.3	3.5	3.0	2.8
P0125.060-026	Steel	Thermo Pad	M 6	26.3	1.3	3.5	3.0	3.8
P0125.060-033	Steel	Thermo Pad	M 6	33.3	1.3	3.5	3.0	4.9
P0125.060-041	Steel	Thermo Pad	M 6	41.3	1.3	3.5	3.0	6.3
P0125.060-051	Steel	Thermo Pad	M 6	51.3	1.3	3.5	3.0	7.9
P0125.080-013	Steel	Thermo Pad	M 8	13.6	1.6	5.0	4.0	2.6
P0125.080-017	Steel	Thermo Pad	M 8	17.6	1.6	5.0	4.0	3.6
P0125.080-021	Steel	Thermo Pad	M 8	21.6	1.6	5.0	4.0	5.0
P0125.080-026	Steel	Thermo Pad	M 8	26.6	1.6	5.0	4.0	6.4
P0125.080-033	Steel	Thermo Pad	M 8	33.6	1.6	5.0	4.0	8.5
P0125.080-041	Steel	Thermo Pad	M 8	41.6	1.6	5.0	4.0	11.0
P0125.080-051	Steel	Thermo Pad	M 8	51.6	1.6	5.0	4.0	14.0
P0125.080-064	Steel	Thermo Pad	M 8	64.6	1.6	5.0	4.0	18.0
P0125.100-018	Steel	Thermo Pad	M10	17.9	1.9	6.5	5.0	5.2
P0125.100-022	Steel	Thermo Pad	M10	21.9	1.9	6.5	5.0	7.1
P0125.100-027	Steel	Thermo Pad	M10	26.9	1.9	6.5	5.0	9.9
P0125.100-034	Steel	Thermo Pad	M10	33.9	1.9	6.5	5.0	13.0
P0125.100-042	Steel	Thermo Pad	M10	41.9	1.9	6.5	5.0	17.0
P0125.100-052	Steel	Thermo Pad	M10	51.9	1.9	6.5	5.0	22.0



Order No.	Material	Type	d ₁	l ₁	l ₂	d ₂	A/F	Weight g
P0125.100-065	Steel	Thermo Pad	M10	64.9	1.9	6.5	5.0	28.0
P0125.100-082	Steel	Thermo Pad	M10	81.9	1.9	6.5	5.0	36.0
P0125.120-022	Steel	Thermo Pad	M12	22.1	2.1	8.0	6.0	9.0
P0125.120-027	Steel	Thermo Pad	M12	27.1	2.1	8.0	6.0	10.0
P0125.120-034	Steel	Thermo Pad	M12	34.1	2.1	8.0	6.0	19.0
P0125.120-042	Steel	Thermo Pad	M12	42.1	2.1	8.0	6.0	24.0
P0125.120-052	Steel	Thermo Pad	M12	52.1	2.1	8.0	6.0	31.0
P0125.120-065	Steel	Thermo Pad	M12	65.1	2.1	8.0	6.0	40.0
P0125.120-082	Steel	Thermo Pad	M12	82.1	2.1	8.0	6.0	51.0