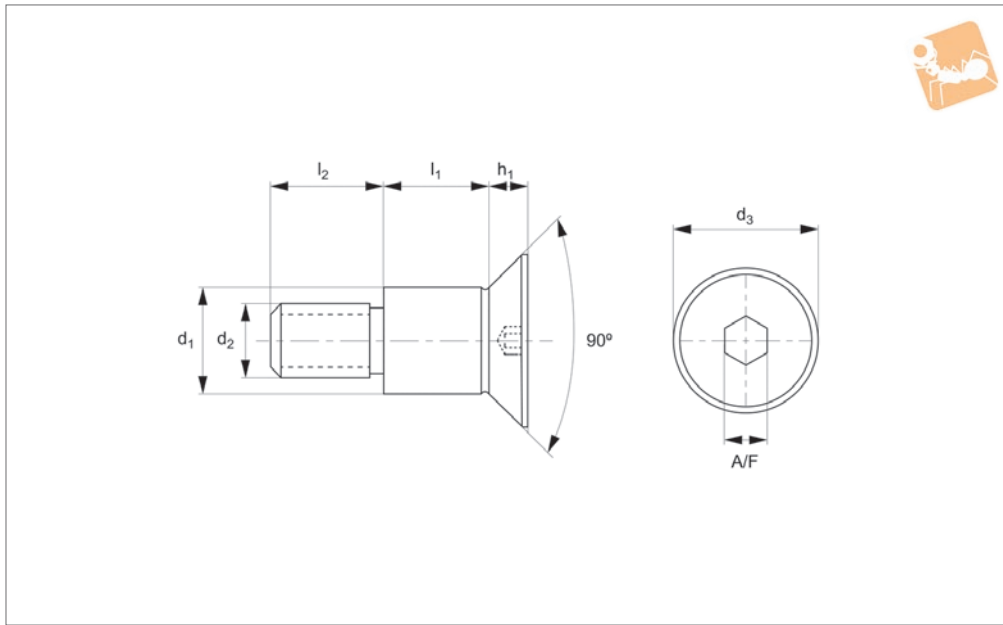




Shoulder Screws - Countersunk

hex drive - 303 stainless

Shoulder Screws



P0128.A2

SHOULDER SCREWS

Material

Stainless steel (AISI 303, 1.4305).
Tensile strength 550 N/mm².
Proof stress min. 190 N/mm², austenitic

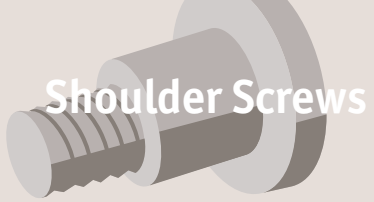
stainless steel.

Technical Notes

303 stainless steel provides good resi-

stance to corrosion. It is mildly magnetic.
Special lengths and diameters produced to drawings.

Order No.	d ₁ +0.000 -0.025	l ₁ +0.05 -0.00	d ₂ tol. G6	d ₃	l ₂ +0.05 -0.00	h ₁ +0.00 -0.05	A/F
P0128.040-010-A2	4	10	M 3	8	4	2.0	2
P0128.040-012-A2	4	12	M 3	8	4	2.0	2
P0128.040-014-A2	4	14	M 3	8	4	2.0	2
P0128.040-016-A2	4	16	M 3	8	4	2.0	2
P0128.040-018-A2	4	18	M 3	8	4	2.0	2
P0128.040-020-A2	4	20	M 3	8	4	2.0	2
P0128.040-025-A2	4	25	M 3	8	4	2.0	2
P0128.040-030-A2	4	30	M 3	8	4	2.0	2
P0128.050-010-A2	5	10	M 4	10	5	2.5	2.5
P0128.050-012-A2	5	12	M 4	10	5	2.5	2.5
P0128.050-016-A2	5	16	M 4	10	5	2.5	2.5
P0128.050-020-A2	5	20	M 4	10	5	2.5	2.5
P0128.050-025-A2	5	25	M 4	10	5	2.5	2.5
P0128.050-030-A2	5	30	M 4	10	5	2.5	2.5
P0128.050-035-A2	5	35	M 4	10	5	2.5	2.5
P0128.050-040-A2	5	40	M 4	10	5	2.5	2.5
P0128.060-010-A2	6	10	M 5	12	6	3.0	3
P0128.060-012-A2	6	12	M 5	12	6	3.0	3
P0128.060-016-A2	6	16	M 5	12	6	3.0	3
P0128.060-020-A2	6	20	M 5	12	6	3.0	3
P0128.060-025-A2	6	25	M 5	12	6	3.0	3
P0128.060-030-A2	6	30	M 5	12	6	3.0	3
P0128.060-035-A2	6	35	M 5	12	6	3.0	3
P0128.060-040-A2	6	40	M 5	12	6	3.0	3
P0128.080-010-A2	8	10	M 6	16	11	4.0	4
P0128.080-012-A2	8	12	M 6	16	11	4.0	4
P0128.080-016-A2	8	16	M 6	16	11	4.0	4
P0128.080-020-A2	8	20	M 6	16	11	4.0	4
P0128.080-025-A2	8	25	M 6	16	11	4.0	4
P0128.080-030-A2	8	30	M 6	16	11	4.0	4
P0128.080-035-A2	8	35	M 6	16	11	4.0	4
P0128.080-040-A2	8	40	M 6	16	11	4.0	4
P0128.100-012-A2	10	12	M 8	20	12	5.0	5
P0128.100-016-A2	10	16	M 8	20	12	5.0	5



Shoulder Screws

Shoulder Screws - Countersunk

hex drive - 303 stainless



SHOULDER SCREWS

Order No.	d_1 +0.000 -0.025	l_1 +0.05 -0.00	d_2 tol. G6	d_3	l_2 +0.05 -0.00	h_1 +0.00 -0.05	A/F
P0128.100-020-A2	10	20	M 8	20	12	5.0	5
P0128.100-025-A2	10	25	M 8	20	12	5.0	5
P0128.100-030-A2	10	30	M 8	20	12	5.0	5
P0128.100-040-A2	10	40	M 8	20	12	5.0	5
P0128.100-050-A2	10	50	M 8	20	12	5.0	5
P0128.120-012-A2	12	12	M10	24	16	6.0	6
P0128.120-016-A2	12	16	M10	24	16	6.0	6
P0128.120-020-A2	12	20	M10	24	16	6.0	6
P0128.120-025-A2	12	25	M10	24	16	6.0	6
P0128.120-030-A2	12	30	M10	24	16	6.0	6
P0128.120-040-A2	12	40	M10	24	16	6.0	6
P0128.120-050-A2	12	50	M10	24	16	6.0	6